

SUZUKI

PARTS CATALOGUE

SC100

SUZUKI SC100



PHOTO : SC100CXG
F.NO.100001 ~

SUZUKI PARTS CATALOGUE

PREFACE

When it becomes necessary to replace parts on SUZUKI Vehicles, always use SUZUKI GENUINE PARTS which have passed a strict Inspection which guarantees quality and performance.

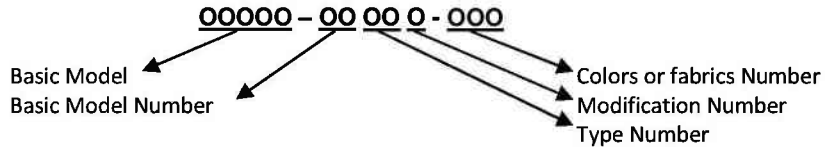
This parts catalogue covers the list of all service parts for SUZUKI SC100CXG and SC100CX.

Frame Serial No.: SC100-100001~

A. INSTRUCTIONS FOR QUOTING THE CATALOGUE

1. COMPOSITION OF THE PART NUMBER

1-1. REGULAR PARTS

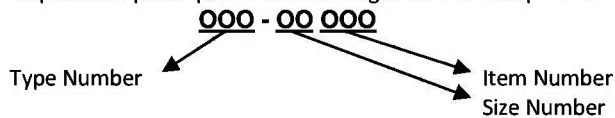


1-2. STANDARD PARTS

Numbers of all standard parts begin with '0' except beginning with 09 or 000.

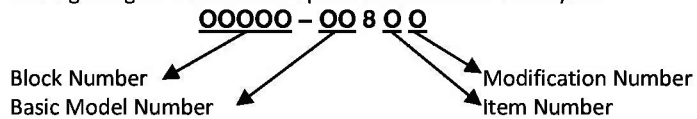
1-3. SPECIAL STANDARD PARTS

Special standard parts are parts which are similar to standard parts but differ in some respect. All special parts numbers begin with 09 except 099.



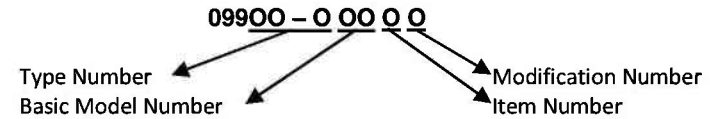
1-4. PARTS ASSEMBLIES

The eight digits of numbers of parts assemblies are always 8.



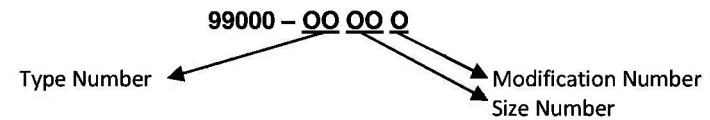
1-5. SPECIAL TOOLS

Parts numbers begin with 099.



1-6. MISCELLANEOUS

Part numbers begin with 99000.



2. DIMENSIONS

Dimensions of the parts in this catalogue are indicated in unit millimeters.

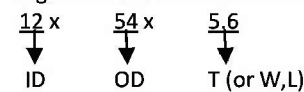
3. ABBREVIATIONS

Abbreviations used in this catalogue are as follows;

| | | | |
|-------|----------------------|------|--------------------|
| AR: | As required | OPT: | Optional |
| ASSY: | Assembly | OS: | Over size |
| F.No. | Frame number | RH: | Right hand side |
| D: | Diameter of material | STD: | Standard |
| ID: | Inside diameter | T: | Thickness |
| L: | Length | US: | Under size |
| LH: | Left hand side | W: | Width |
| NT: | Number of teeth | RHD: | Right handle drive |
| OD: | Outside diameter | LHD: | Left handle drive |

| | | | |
|---------|------------------------|------|--------------------|
| ~12345: | Up to F.No.SGI00-12345 | LHD: | Left handle drive |
| 12345~: | From F.No.SCI00-12545 | RHD: | Right handle drive |

Figures in the remarks column show the dimensions of parts as follows:



SUZUKI PARTS CATALOGUE

4. INNER PARTS OF ASSEMBLY

Parts numbers that have a period (●) mark before the parts name will be indicated the inner part in relation to the assembly.

5. MODIFICATION NOTICE

A parts bulletin will be send to you on all occasions when, changes in parts occur, including interchangeable modifications between new parts and old ones.

6. COLOR - LEATHER CHART

| Color No. | Color Name |
|-----------|----------------------------|
| 019 | Black |
| 05F | Sunday Orange (Tape) |
| 281 | Black Semi-Gloss |
| 382 | Black |
| 404 | Feminine Beige (More line) |
| 40C | Feminine Beige |
| 40D | Gold (Velour carpet) |
| 40E | Black |
| 40G | Light Gold |
| 40H | Feminine Beige |
| 40K | Ferninine Beige |
| 40L | Golden Beiqe |
| 40M | Gold (Needle punch) |

| Color No. | Color Name |
|-----------|------------------------------|
| 719 | Orange (Tape) |
| 742 | Silver Metallic (Tape) |
| 877 | Black |
| 878 | Black (Velour carpet) |
| 881 | Black (Laminate foam) |
| 882 | Linsey Check (Red & black) |
| 883 | Linsey Check (White & black) |
| 884 | Black (Needle punch) |
| 893 | Pale Gray (Laminate foam) |
| 896 | Pale Gray |
| 898 | Black (Silk knit) |
| 899 | Pale Gray (Silk knit) |

| Combination Color | |
|-------------------|-----------|
| 52U | 882 + 877 |
| 62U | 883 + 877 |
| 63K | 719 + 05F |
| 651 | 40C + 40A |

| Body Color | |
|------------|-------------------------|
| 03U | Sunflower Yellow-2 |
| 06V | Crystal Silver Metallic |
| 06W | Panama Red |
| 06Y | Antirope Gold Metallic |
| 078 | Fantasy Black |

NOTE THAT THE DRAWINGS ILLUSTRATION PAGE ARE SUPPLEMENT FOR READY REFERENCE OF SPARE PARTS NUMBER, NOT FOR AN ASSEMBLING MANUAL. WHEN ASSEMBLING, USE "SUZUKI SERVICE MANUAL".

MILLIMETER - INCH CONVERSION CHART

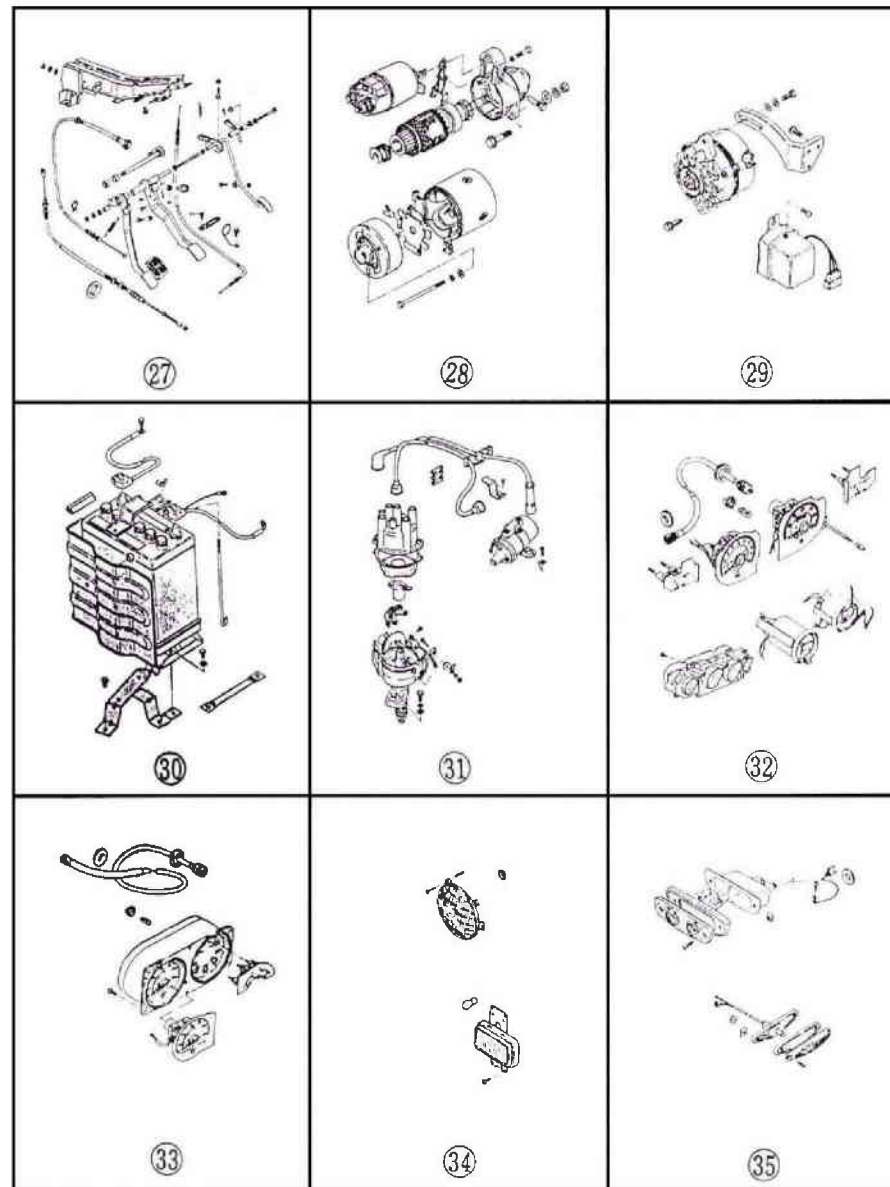
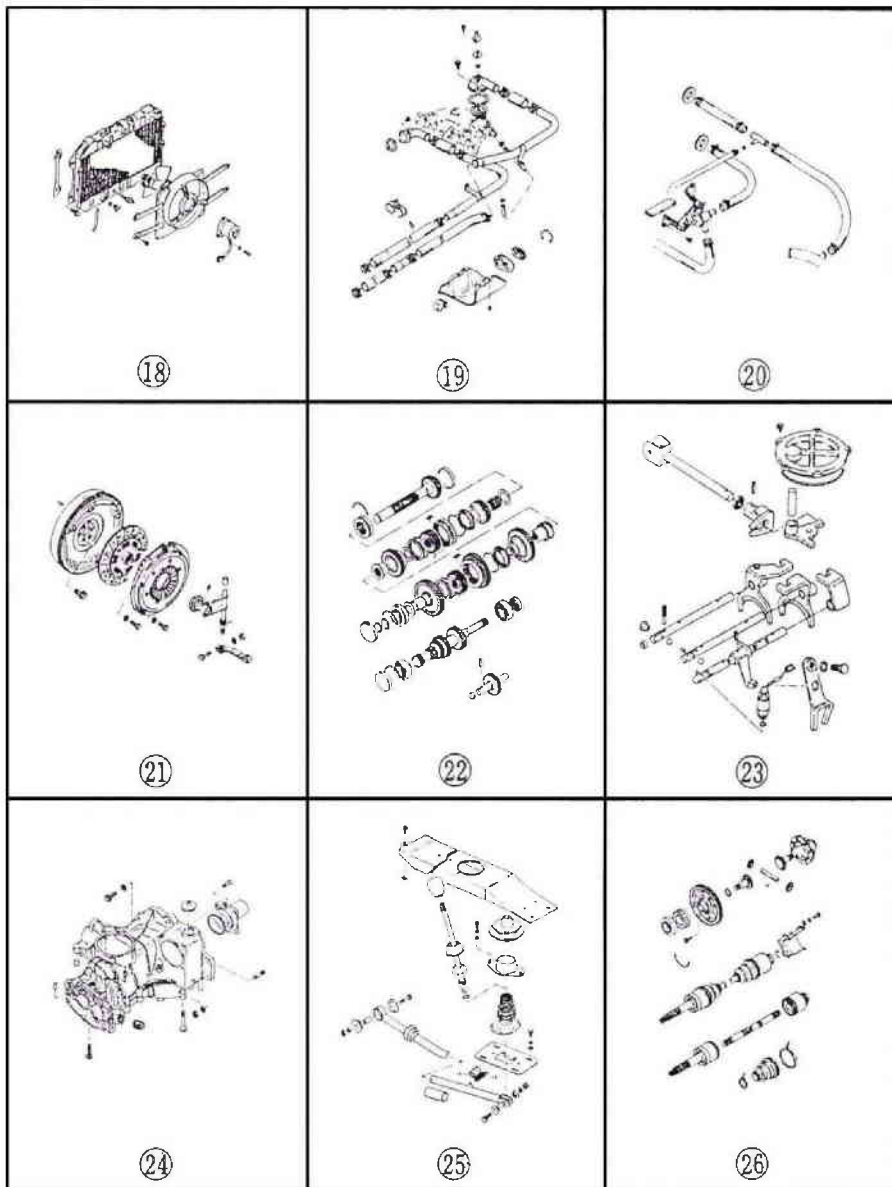
| | 0 | 1 | 2 | 3 | 4 | 5 | 6 | 7 | 8 | 9 |
|----|-------|-------|-------|-------|-------|-------|-------|-------|-------|-------|
| 0 | 0.000 | 0.039 | 0.079 | 0.118 | 0.157 | 0.197 | 0.236 | 0.276 | 0.315 | 0.354 |
| 10 | 0.394 | 0.433 | 0.472 | 0.512 | 0.551 | 0.591 | 0.630 | 0.669 | 0.709 | 0.748 |
| 20 | 0.787 | 0.827 | 0.866 | 0.906 | 0.945 | 0.984 | 1.024 | 1.063 | 1.102 | 1.142 |
| 30 | 1.181 | 1.220 | 1.260 | 1.299 | 1.339 | 1.378 | 1.417 | 1.457 | 1.496 | 1.535 |
| 40 | 1.575 | 1.614 | 1.654 | 1.693 | 1.732 | 1.772 | 1.811 | 1.850 | 1.890 | 1.929 |
| 50 | 1.969 | 2.008 | 2.047 | 2.087 | 2.126 | 2.165 | 2.205 | 2.214 | 2.283 | 2.323 |
| 60 | 2.362 | 2.402 | 2.441 | 2.480 | 2.520 | 2.559 | 2.598 | 2.638 | 2.677 | 2.717 |
| 70 | 2.756 | 2.795 | 2.835 | 2.874 | 2.913 | 2.953 | 2.992 | 3.031 | 3.071 | 3.110 |
| 80 | 3.150 | 3.189 | 3.228 | 3.268 | 3.307 | 3.346 | 3.386 | 3.425 | 3.465 | 3.504 |
| 90 | 3.543 | 3.583 | 3.622 | 3.661 | 3.701 | 3.740 | 3.780 | 3.819 | 3.858 | 3.898 |

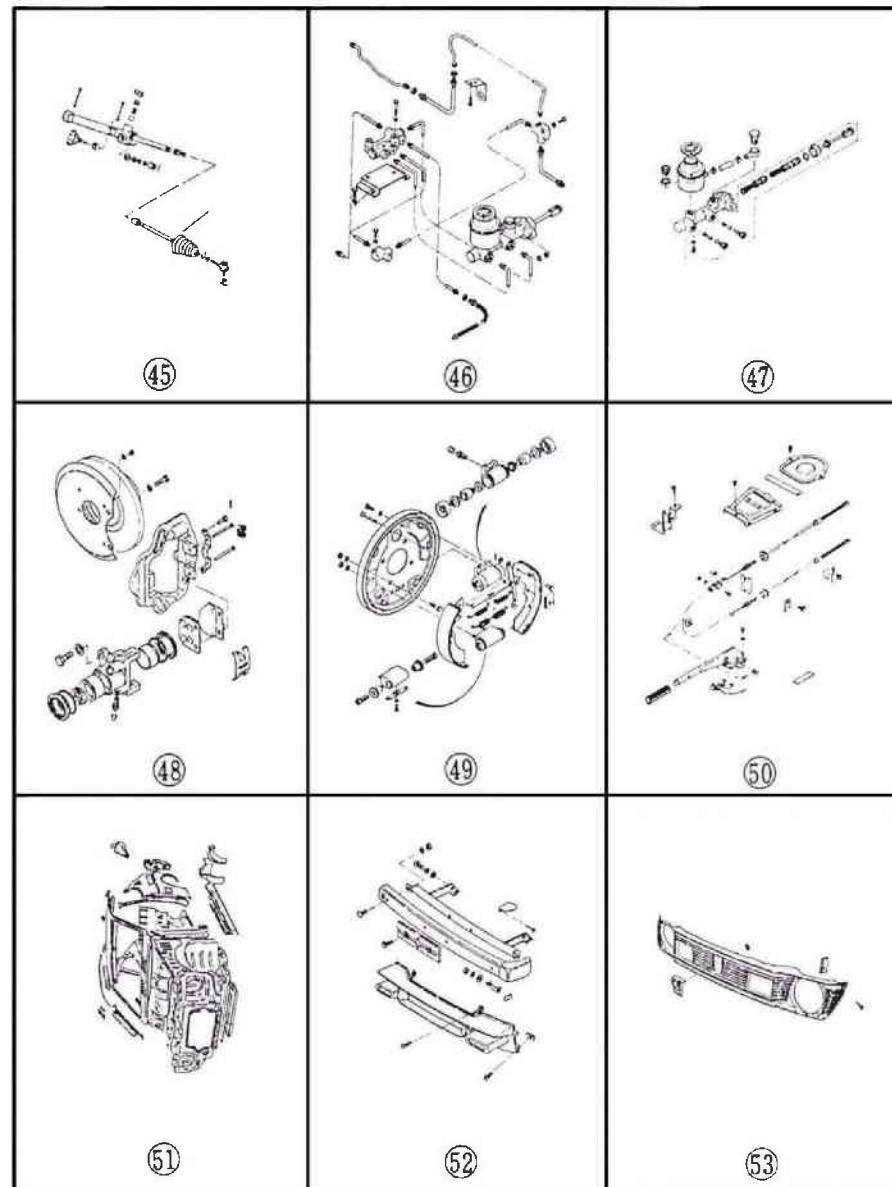
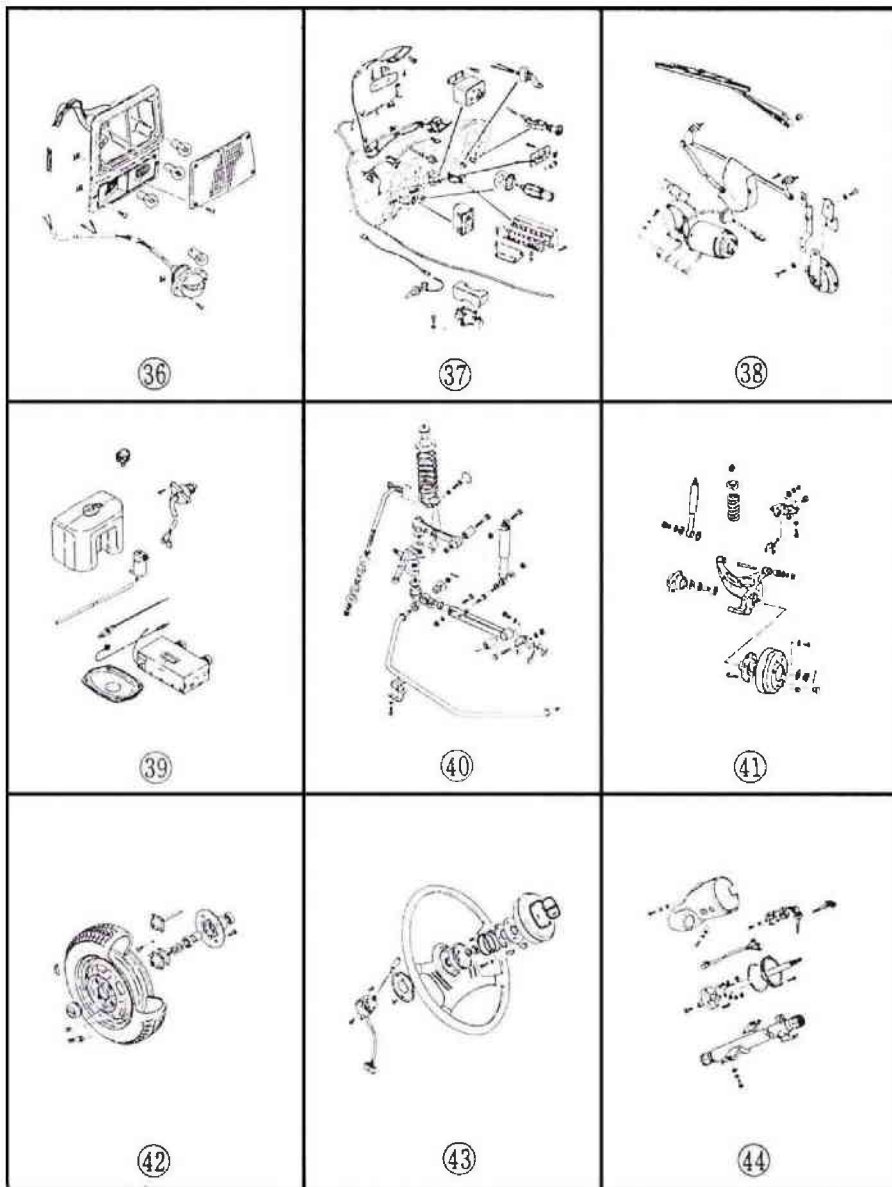
| | 0 | 1 | 2 | 3 | 4 |
|----|----|----|----|-------|----|
| 0 | -- | -- | -- | -- | -- |
| 10 | -- | -- | -- | -- | -- |
| 20 | -- | -- | -- | 0.906 | -- |
| 30 | -- | -- | -- | -- | -- |

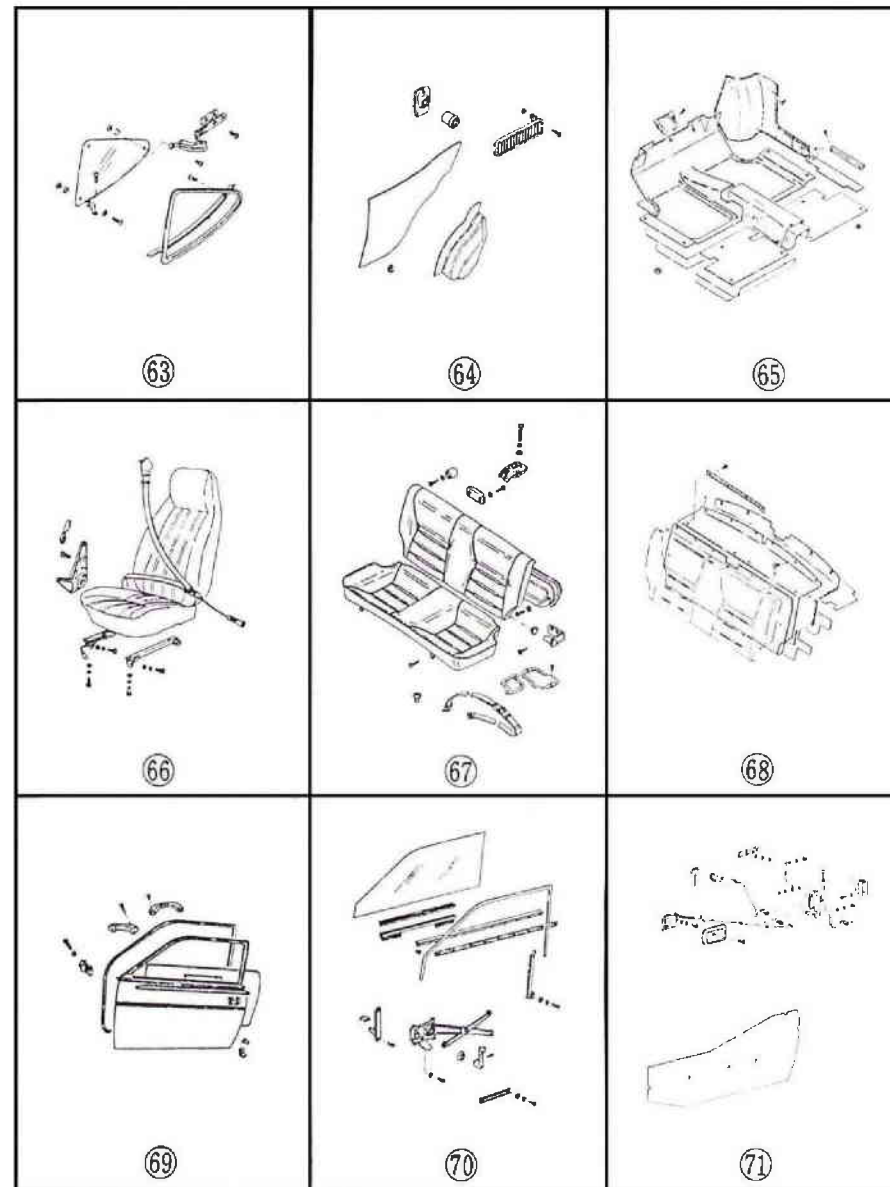
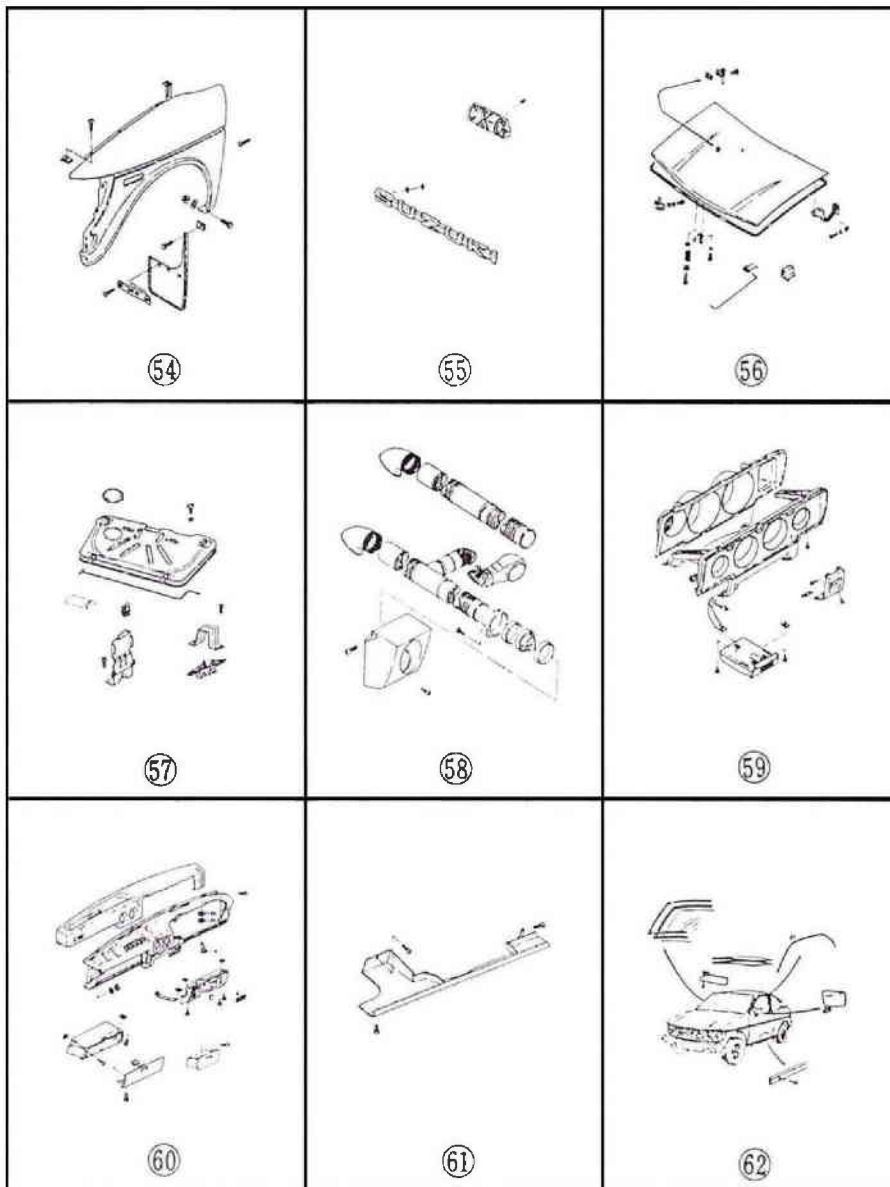

 23 millimeters = 0.906 inch.

Contents are subject to change without notice or obligation.

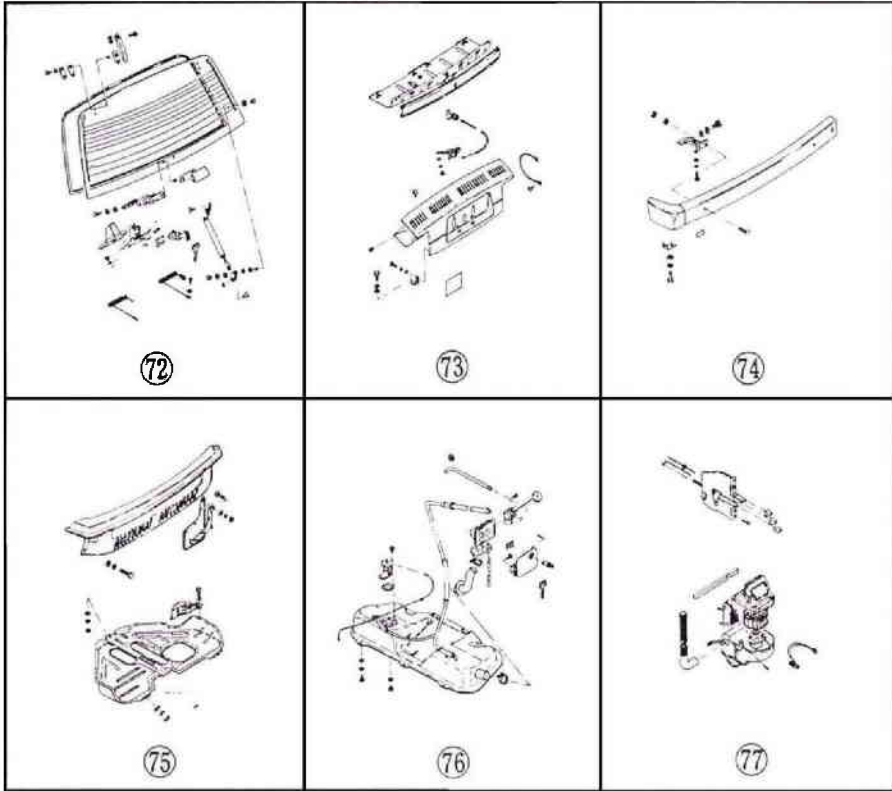
| | | | | | |
|--------------|----------|----------|----------|----------|----------|
| <p>SC100</p> | <p>①</p> | <p>②</p> | <p>⑨</p> | <p>⑩</p> | <p>⑪</p> |
| <p>③</p> | <p>④</p> | <p>⑤</p> | <p>⑫</p> | <p>⑬</p> | <p>⑭</p> |
| <p>⑥</p> | <p>⑦</p> | <p>⑧</p> | <p>⑮</p> | <p>⑯</p> | <p>⑰</p> |







SUZUKI PARTS CATALOGUE



SUZUKI PARTS CATALOGUE

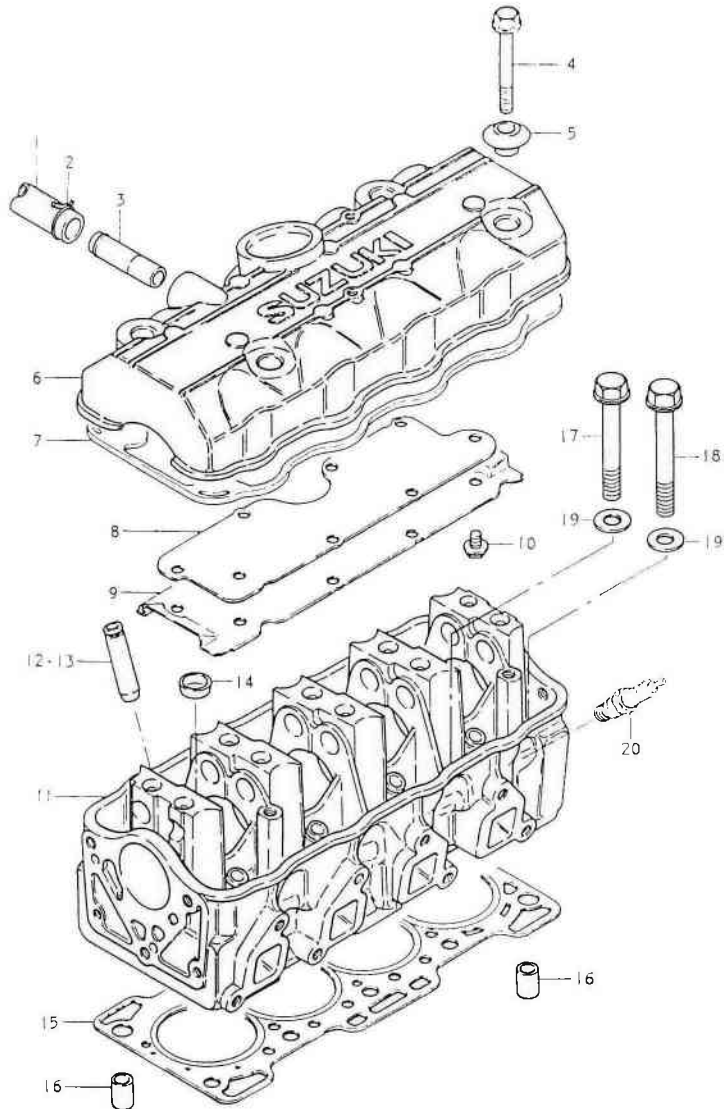


FIG. 1 Cylinder Head

| Ref. No. | Part No. | Description | Q'ty | Remarks |
|----------|-------------|------------------------------|------|---------------|
| 01 | 11191-73001 | HOSE, breather | 1 | L: 420 -> 385 |
| 02 | 09401-18301 | CLAMP, breather hose | 2 | |
| 03 | 11174-73000 | PIPE, breather | 1 | |
| 04 | 01517-08658 | BOLT, grommet | 4 | |
| 05 | 11180-73010 | GROMMET, cylinder head cover | 4 | |
| 06 | 11171-75100 | COVER, cylinder head | 1 | |
| 07 | 11189-73000 | GASKET, cylinder head cover | 1 | |
| 08 | 11173-73000 | GASKET, breather plate | 1 | |
| 09 | 11172-73000 | PLATE, breather | 1 | |
| 10 | 01517-06108 | BOLT, breather plate | 8 | |
| 11 | 11110-73001 | CYLINDER HEAD | 1 | INCL: 12~14 |
| 12 | 11115-73010 | • GUIDE, inlet valve | 4 | L: 52,5 |
| 13 | 11116-73010 | • GUIDE, exhaust valve | 4 | L: 54,5 |
| 14 | 09241-20002 | • PLUG | 4 | |
| 15 | 11141-75100 | GASKET, cylinder head | 1 | |
| 16 | 09206-13001 | KNOCK PIN, cylinder head | 2 | |
| 17 | 09103-10012 | BOLT, cylinder head (1) | 8 | |
| 18 | 09103-10013 | BOLT, cylinder head (2) | 2 | |
| 19 | 09160-10039 | WASHER, cylinder head | 10 | |
| 20-1 | 09482-00131 | SPARK PLUG | 4 | NGK 8P5ES |
| 20-2 | 09482-00123 | SPARK PLUG | 4 | ND W16EX-U |

SUZUKI PARTS CATALOGUE

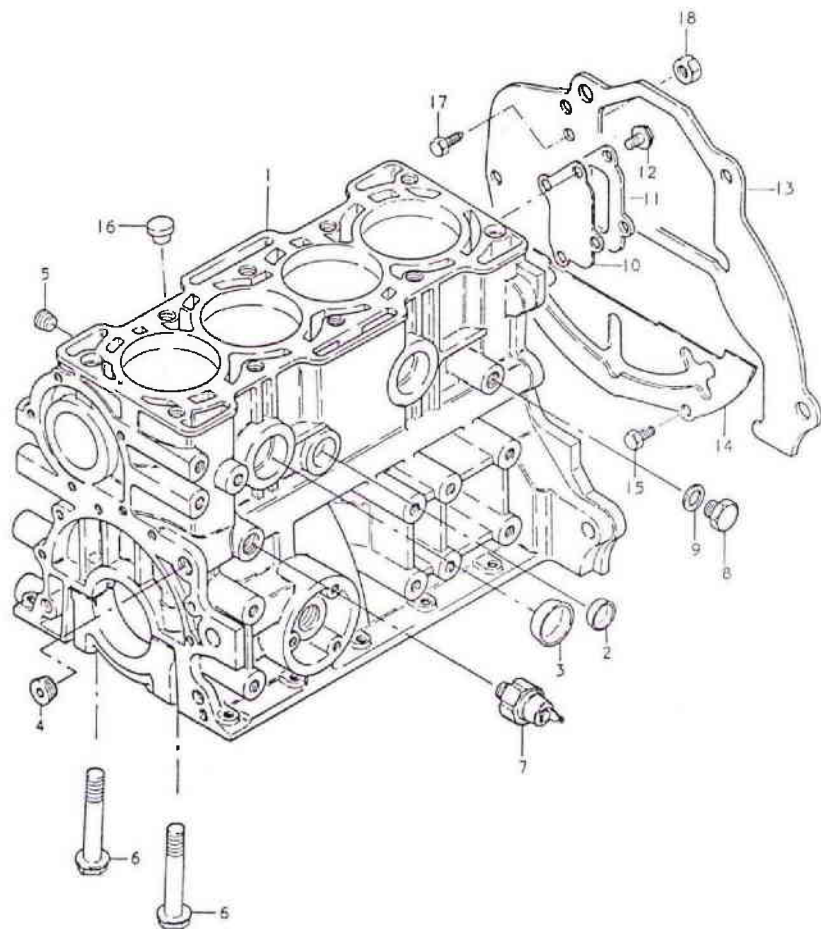


FIG. 2 Cylinder Assy

| Ref. No. | Part No. | Description | Q'ty | Remarks |
|----------|-------------|------------------------------|------|------------|
| 01 | 11200-75103 | CYLINDER ASSY | 1 | Incl.: 2~6 |
| 02 | 09241-20002 | • PLUG (Ø 20) | 2 | |
| 03 | 09241-30002 | • PLUG (Ø 10) | 3 | |
| 04 | 09246-06001 | • PLUG, oil gallery | 3 | |
| 05 | 09246-05001 | • PLUG, oil gallery | 3 | |
| 06 | 01517-10658 | • BOLT, crank bearing cap | 10 | |
| 07 | 37820-73000 | SWITCH, oil pressure | 1 | |
| 08 | 09100-10004 | PLUG, water drain | 1 | |
| 09 | 09168-10014 | GASKET | 1 | |
| 10 | 11229-73000 | GASKET, cylinder block plate | 1 | |
| 11 | 11221-73000 | PLATE, cylinder block | 1 | |
| 12 | 01517-06108 | BOLT | 4 | |
| 13 | 11311-76000 | PLATE, clutch housing upper | 1 | |
| 14 | 11321-73000 | PLATE, clutch housing lower | 1 | |
| 15 | 01517-06128 | BOLT | 2 | |
| 16 | 09250-10006 | PLUG | 1 | |
| 17 | 01307-06208 | BOLT, spark timing | 1 | |
| 18 | 08310-11068 | NUT | 1 | |

SUZUKI PARTS CATALOGUE

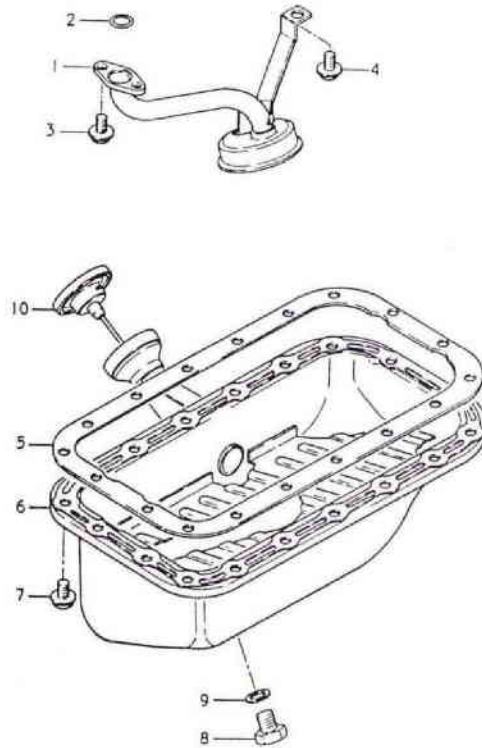


FIG. 3

Oil Pan

| Ref. No. | Part No. | Description | Q'ty | Remarks |
|----------|-------------|------------------------|------|---------|
| 01 | 16520-75100 | STRAINER, oil pump | 1 | |
| 02 | 09280-16005 | O-RING, oil strainer | 1 | |
| 03 | 01517-06168 | BOLT (1) | 2 | |
| 04 | 01517-06128 | BOLT (2) | 1 | |
| 05 | 11529-73000 | GASKET, oil pan | 1 | |
| 06 | 11510-75100 | PAN COMP, oil | 1 | |
| 07 | 01517-06168 | BOLT | 10 | |
| 08 | 09247-12101 | PLUG, oil drain | 1 | |
| 09 | 09168-12007 | GASKET, oil drain plug | 1 | |
| 10 | 16910-75100 | CAP, oil filler | 1 | |

SUZUKI PARTS CATALOGUE

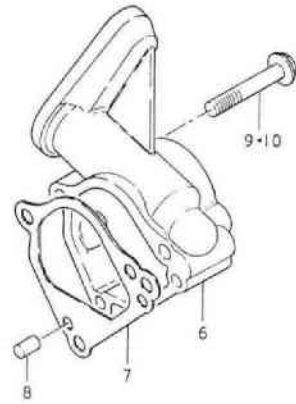
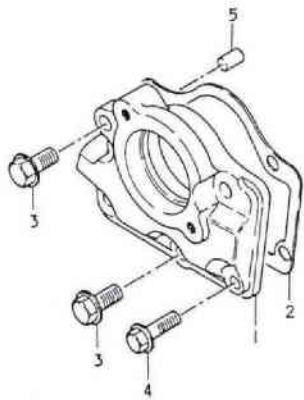


FIG. 4 CASE COVER

| Ref. No. | Part No. | Description | Q'ty | Remarks |
|----------|-------------|--------------------------|------|---------|
| 01 | 11151-71001 | CASE, cylinder head side | 1 | |
| 02 | 11159-73001 | GASKET, side case | 1 | |
| 03 | 01517-08208 | BOLT (1) | 3 | |
| 04 | 01507-06168 | BOLT (2) | 2 | |
| 05 | 04221-06129 | KNOCK PIN | 2 | |
| 06 | 11161-75100 | CASE, distributor | 1 | |
| 07 | 11169-73001 | GASKET, distributor case | 1 | |
| 08 | 04221-06129 | KNOCK PIN | 2 | |
| 09 | 01517-08608 | BOLT (1) | 2 | |
| 10 | 01517-08358 | BOLT (2) | 1 | |

SUZUKI PARTS CATALOGUE

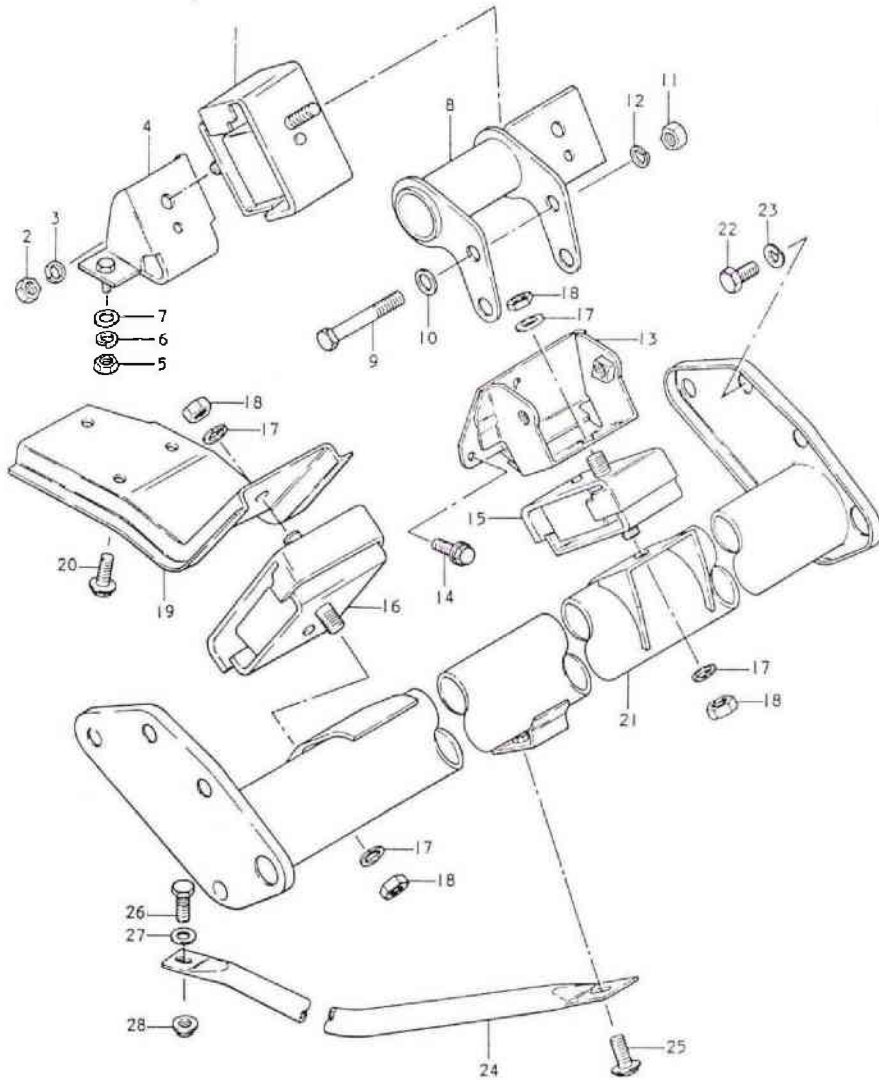


FIG. 5 ENGINE MOUNTING

| Ref. No. | Part No. | Description | Q'ty | Remarks |
|----------|-------------|--------------------------------|------|---------|
| 01 | 11610-75100 | MOUNTING, engine front | 1 | |
| 02 | 08310-12108 | NUT | 2 | |
| 03 | 08321-21108 | LOCK WASHER | 2 | |
| 04 | 11650-75100 | BRACKET, front mounting (2) | 1 | |
| 05 | 08310-12088 | NUT | 1 | |
| 06 | 08321-21088 | LOCK WASHER | 1 | |
| 07 | 08322-11088 | WASHER | 1 | |
| 08 | 11640-75100 | BRACKET, front mounting (1) | 1 | |
| 09 | 01107-10908 | BOLT | 2 | |
| 10 | 08322-11108 | WASHER | 2 | |
| 11 | 08310-12108 | NUT | 2 | |
| 12 | 08321-21108 | LOCK WASHER | 2 | |
| 13 | 11730-75100 | BRACKET, engine rear mounting | 1 | |
| 14 | 01517-08208 | BOLT | 1 | |
| 15 | 11710-75100 | MOUNTNING, engine rear RH | 1 | |
| 16 | 11720-71550 | MOUNTNING, engine rear LH | 1 | |
| 17 | 08321-21108 | LOCK WASHER | 4 | |
| 18 | 08310-12108 | NUT | 4 | |
| 19 | 11741-75100 | BRACKET, engine rear rmounting | 1 | |
| 20 | 01517-08208 | BOLT | 1 | |
| 21 | 11760-75100 | PIPE, engine rear mounting | 1 | |
| 22 | 01107-10208 | BOLT | 6 | |
| 23 | 08321-21108 | LOCK WASHER | 6 | |
| 24 | 11771-75100 | CROSS MEMBER, engine room | 1 | |
| 25 | 09103-10015 | BOLT, cross member rear | 1 | |
| 26 | 01107-10208 | BOLT | 1 | |
| 27 | 08322-11108 | WASHER | 1 | |
| 28 | 08316-16108 | NUT | 1 | |

SUZUKI PARTS CATALOGUE

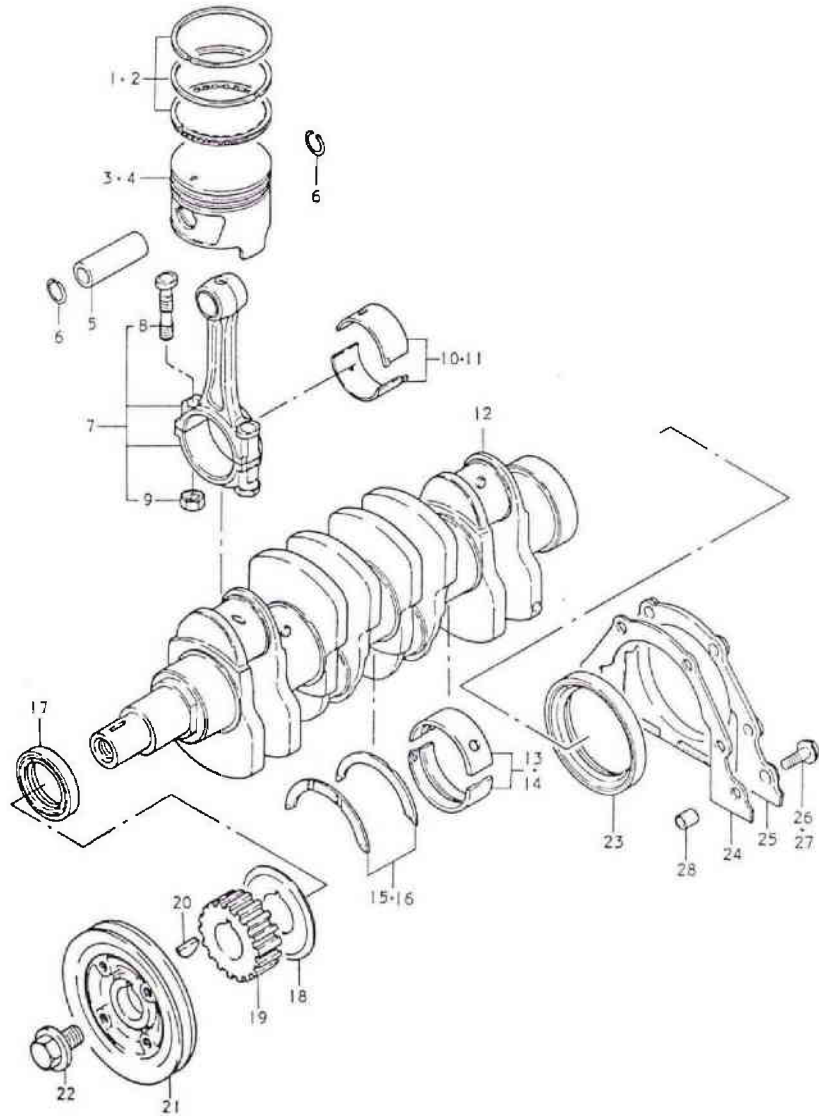


FIG. 6 PISTON CRANKSHAFT

| Ref. No. | Part No. | Description | Q'ty | Remarks |
|----------|-----------------|-----------------------------|------|---------------------|
| 01 | 12140-75101 | RING SET, piston | 4 | STD |
| 02 | 12140-75101-050 | RING SET, piston | 4 | OS: 0,5 OPT |
| 03 | 12111-75102 | PISTON | 4 | STD |
| 04 | 12111-75102-050 | PISTON | 4 | OS: 0,5 OPT |
| 05 | 12151-29001 | PIN, piston | 4 | |
| 06 | 09381-16001 | CIRCLIP, piston pin | 8 | |
| 07 | 12160-73000 | ROD ASSY, connecting | 4 | |
| 08 | 12163-73000 | • BOLT, connecting rod | 8 | |
| 09 | 09159-08025 | • NUT, connecting rod | 8 | |
| 10 | 12200-73810 | BEARING SET, connecting rod | 1 | STD (T=1,5) |
| 11 | 12200-73820 | BEARING SET, connecting rod | 1 | US: 0,25 (T=1.625) |
| 12 | 12221-75100 | CRANKSHAFT | 1 | |
| 13 | 12300-73810 | BEARING SET, crankshaft | 1 | STD (T2.0) |
| 14 | 12300-73820 | BEARING SET, crankshaft | 1 | US:0,25 (T=2.125) |
| 15 | 12300-73830 | BEARING SET, crank thrust | 1 | STD (T=2.5) |
| 16 | 12300-73840 | BEARING SET, crank thrust | 1 | OS: 0,125 (T=2.563) |
| 17 | 09283-32016 | OIL SEAL, crank front | 1 | |
| 18 | 12635-73001 | GUIDE, timing belt | 1 | |
| 19 | 12631-73000 | PULLEY, crank timing belt | 1 | |
| 20 | 08341-31059 | KEY, crank pulley | 1 | |
| 21 | 12611-75100 | PULLEY, crank | 1 | |
| 22 | 09103-12002 | BOLT, crank pulley | 1 | |
| 23 | 09283-60003 | OIL SEAL, crank rear | 1 | |
| 24 | 11349-73001 | GASKET, oil seal housing | 1 | |
| 25 | 11341-73000 | HOUSING, oil seal | 1 | |
| 26 | 01517-06208 | BOLT (1) | 4 | |
| 27 | 01517-06258 | BOLT (2) | 2 | |
| 28 | 04211-09109 | KNOCK PIN | 2 | |

SUZUKI PARTS CATALOGUE

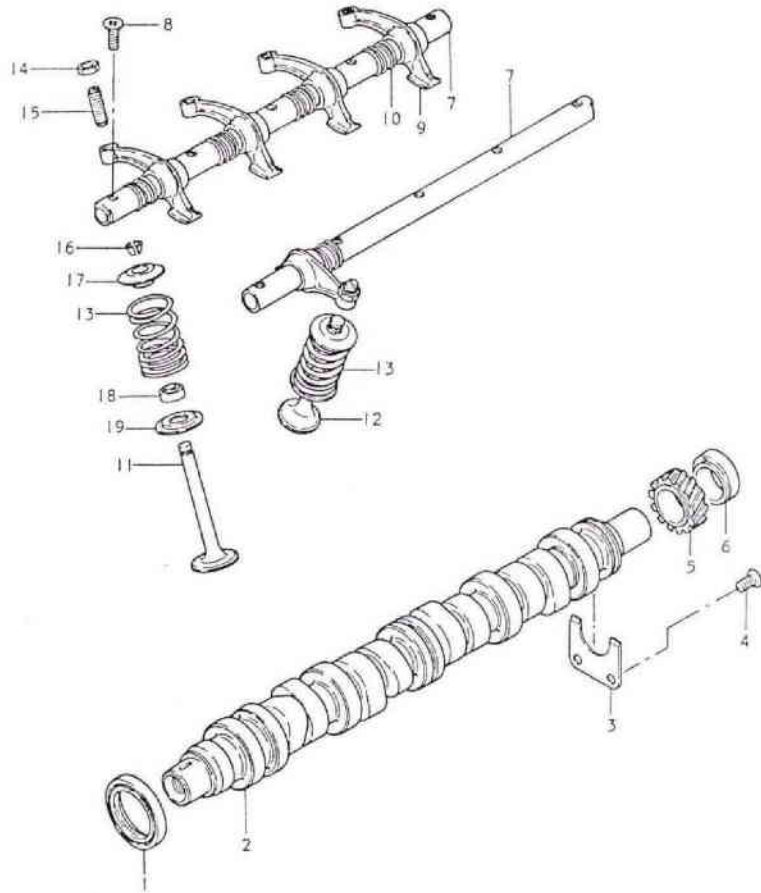


FIG. 7 CAM SHAFT - VALVE

| Ref. No. | Part No. | Description | Q'ty | Remarks |
|----------|-------------|-------------------------|------|----------|
| 01 | 09283-32016 | OIL SEAL, cam shaft | 1 | |
| 02 | 12711-73000 | CAM SHAFT | 1 | |
| 03 | 12749-73000 | PLATE, cam shaft thrust | 1 | |
| 04 | 02122-06128 | SCREW | 2 | |
| 05 | 12721-73000 | GEAR, distributor drive | 1 | |
| 06 | 12731-73000 | CAM, fuel pump | 1 | |
| 07 | 12860-73001 | SHAFT, valve rocker | 2 | |
| 08 | 02122-06168 | SCREW | 10 | |
| 09 | 12841-73001 | ARM, valve rocker | 8 | |
| 10 | 12891-73000 | SPRING, rocker arm | 8 | |
| 11 | 12911-73000 | VALVE, inlet | 4 | OD: 31.6 |
| 12 | 12915-73000 | VALVE, exhaust | 4 | OD: 27.6 |
| 13 | 12921-73001 | SPRING, valve | 8 | |
| 14 | 09159-07001 | NUT, valve adjusting | 8 | |
| 15 | 12848-73000 | SCREW, valve adjusting | 8 | |
| 16 | 12900-45820 | VALVE COTTER SET | 8 | |
| 17 | 12931-73001 | RETAINER, valve spring | 8 | |
| 18 | 09289-07002 | OIL SEAL | 8 | |
| 19 | 12933-73000 | SEAT, valve spring | 8 | |

SUZUKI PARTS CATALOGUE

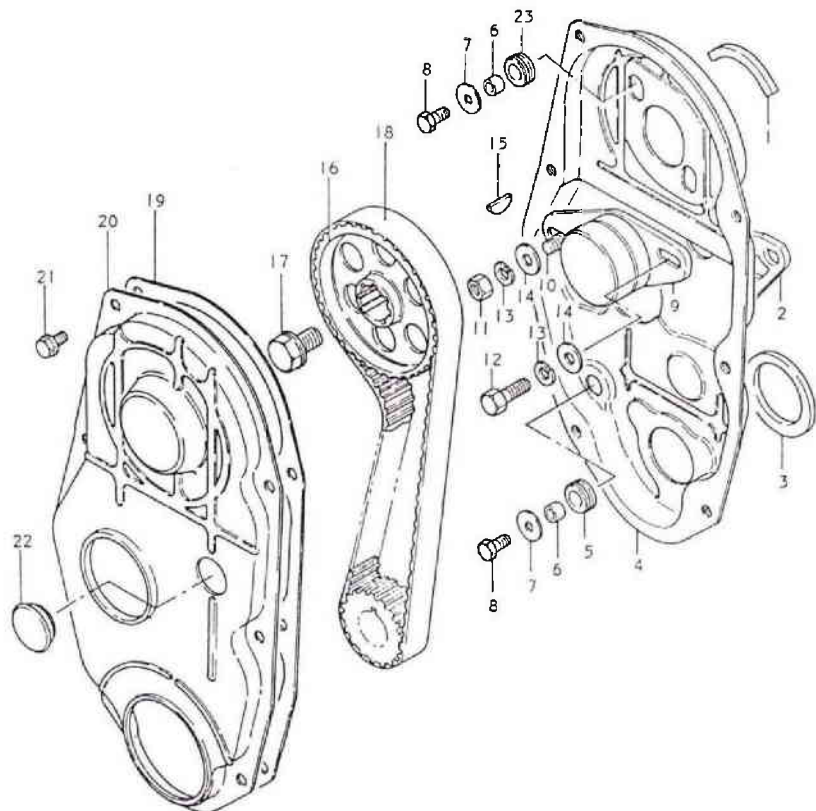


FIG. 8 TIMING BELT

| Ref. No. | Part No. | Description | Q'ty | Remarks |
|----------|-------------|--------------------------------|------|----------|
| 01 | 11481-73000 | CUSHION, seal (1) | 2 | |
| 02 | 11482-73000 | CUSHION, seal (2) | 1 | |
| 03 | 11483-73000 | CUSHION, seal (3) | 1 | |
| 04 | 11380-73001 | COVER, timing belt inside | 1 | |
| 05 | 09308-10004 | GROMMET, timing belt cover (1) | 2 | |
| 06 | 09180-06002 | SPACER | 4 | 6x10x7 |
| 07 | 09160-06027 | WASHER | 4 | 6x20x1.2 |
| 08 | 01107-06168 | BOLT | 4 | |
| 09 | 12810-73000 | TENSIONER ASSY, timing belt | 1 | |
| 10 | 01421-08208 | STUD BOLT | 1 | |
| 11 | 08310-22088 | NUT | 1 | |
| 12 | 01107-08258 | BOLT | 1 | |
| 13 | 08321-21088 | LOCK WASHER | 2 | |
| 14 | 09160-08033 | WASHER, tensioner | 2 | |
| 15 | 08341-31059 | KEY, cam shaft pulley | 1 | |
| 16 | 12741-73000 | PULLEY, cam shaft timing belt | 1 | |
| 17 | 09103-12002 | BOLT | 1 | |
| 18 | 12761-73000 | BELT, timing | 1 | |
| 19 | 11399-73001 | GASKET, timing belt cover | 1 | |
| 20 | 11391-73000 | COVER, timing belt outside | 1 | |
| 21 | 01517-06108 | BOLT | 6 | |
| 22 | 09250-26003 | CAP | 1 | |
| 23 | 11398-73000 | GROMMET, timing belt cover (2) | 2 | |

SUZUKI PARTS CATALOGUE

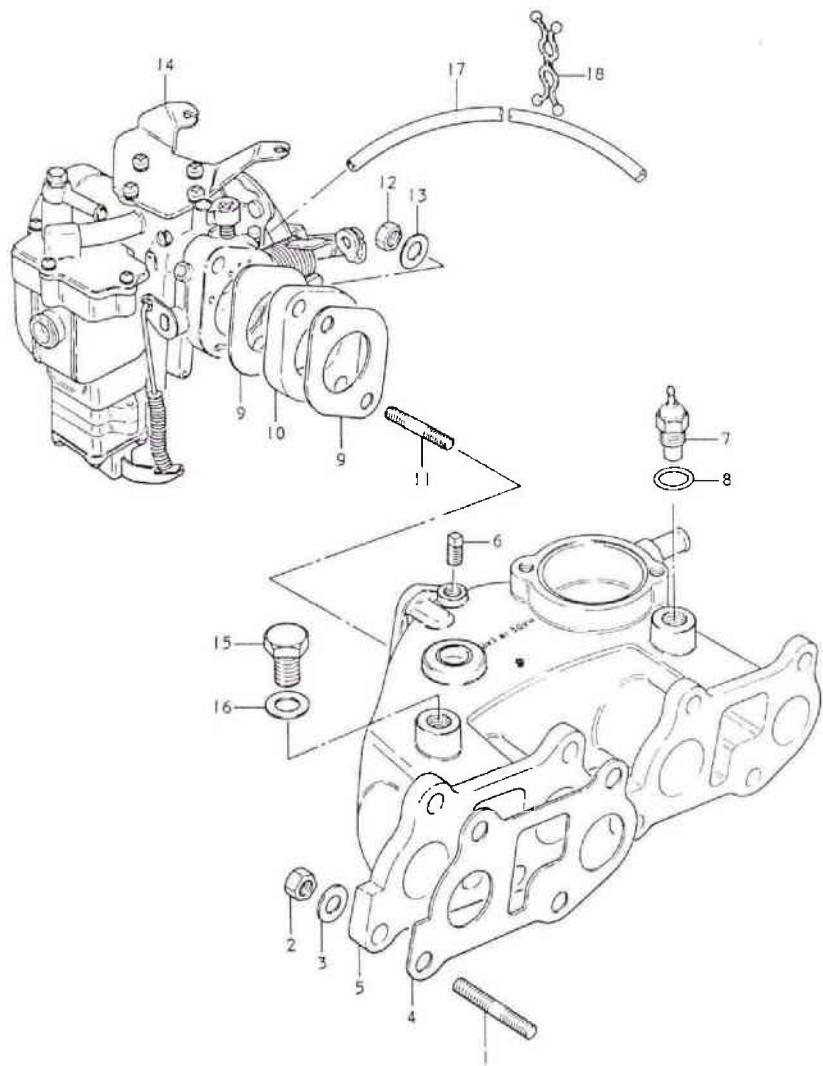


FIG. 9 CARBURATOR - MANIFOLD

| Ref. No. | Part No. | Description | Q'ty | Remarks |
|----------|-------------|--------------------------|------|---------------|
| 01 | 01411-08208 | STUD BOLT | 8 | |
| 02 | 08310-12088 | NUT | 8 | |
| 03 | 08322-11088 | WASHER | 8 | |
| 04 | 13119-73000 | GASKET, intake manifold | 2 | |
| 05 | 13110-75100 | MANIFOLD, intake | 1 | |
| 06 | 09246-04001 | PLUG, booster | 1 | |
| 07 | 34850-66021 | GAUGE, water temperature | 1 | |
| 08 | 09280-14004 | O-RING | 1 | |
| 09 | 13125-73000 | GASKET, carburetor | 2 | |
| 10 | 13120-73000 | INSULATOR, carburetor | 1 | |
| 11 | 01421-08358 | STUD BOLT | 2 | |
| 12 | 08310-12038 | NUT | 2 | |
| 13 | 08322-11088 | WASHER | 2 | |
| 14 | 13200-75100 | CARBURETOR | 1 | |
| 15 | 09100-16001 | PLUG, intake manifold | 1 | |
| 16 | 09168-16002 | GASKET, plug | 1 | |
| 17 | 09343-03026 | HOSE | 1 | L: 310 -> 280 |
| 18 | 09408-00013 | CLAMP | 1 | |

SUZUKI PARTS CATALOGUE

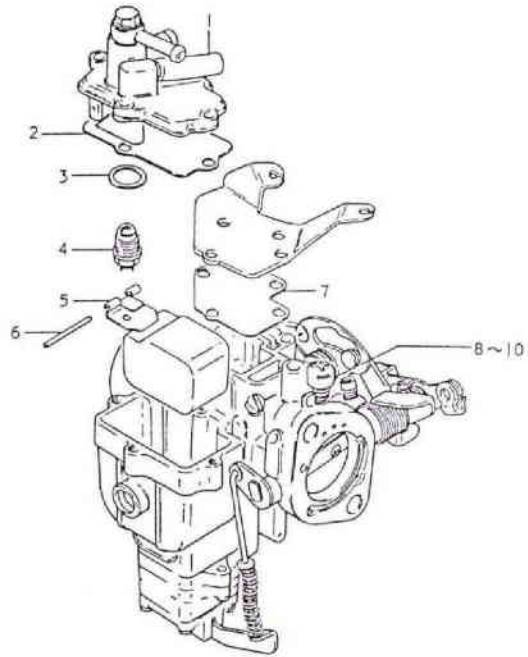


FIG. 10 CARBURETOR INNER PARTS

| Ref. No. | Part No. | Description | Q'ty | Remarks |
|----------|-------------|--------------------------|------|---------|
| 01 | 13683-73000 | HOSE | 1 | |
| 02 | 13251-73000 | GASKET, float chamber | 1 | |
| 03 | 13392-51010 | GASKET, float valve | 1 | |
| 04 | 13370-73000 | VALVE ASSY, float | 1 | |
| 05 | 13250-73000 | FLOAT | 1 | |
| 06 | 13254-73000 | PIN, float | 1 | |
| 07 | 13212-73000 | GASKET | 1 | |
| 08 | 13269-61010 | SCREW, air adjust | 1 | |
| 09 | 13271-15010 | SPRING, air adjust screw | 1 | |
| 10 | 13699-77000 | CAP | 1 | |

SUZUKI PARTS CATALOGUE

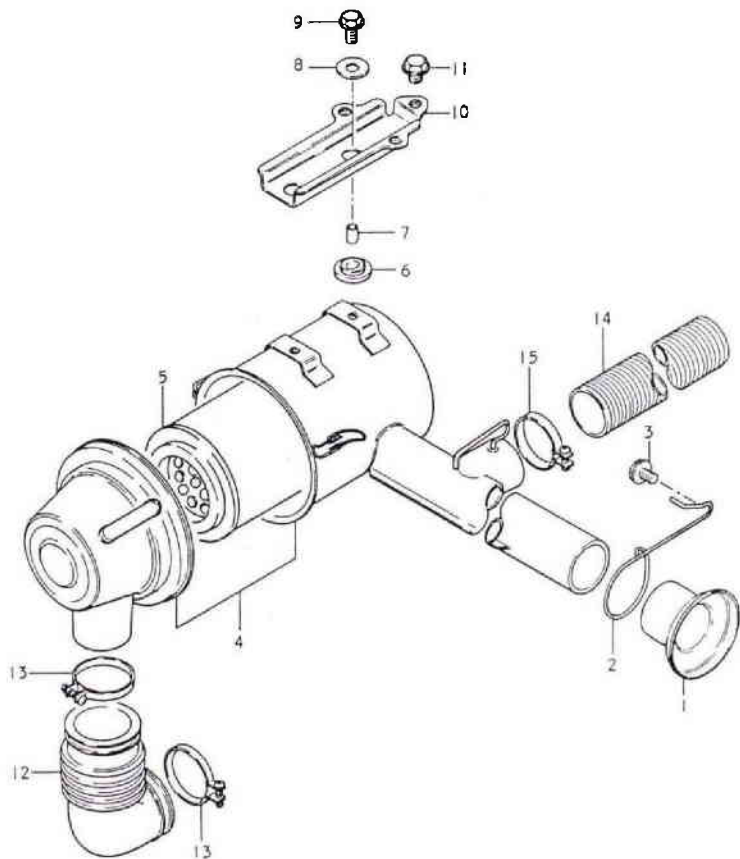


FIG. 11 AIR CLEANER

| Ref. No. | Part No. | Description | Q'ty | Remarks |
|----------|-------------|------------------------------|------|---------|
| 01 | 11851-70430 | CASE, air suction | 1 | |
| 02 | 13891-75100 | CLAMP, air outlet pipe | 1 | |
| 03 | 01517-06128 | BOLT | 1 | |
| 04 | 13700-75100 | CLEANER ASSY, air | 1 | |
| 05 | 13780-75100 | FILTER, element | 1 | |
| 06 | 13742-71510 | CUSHION, air cleaner bracket | 2 | |
| 07 | 09180-06030 | SPACER, cushion | 2 | |
| 08 | 09160-06030 | WASHER, cushion | 2 | |
| 09 | 01517-06208 | BOLT | 2 | |
| 10 | 13810-75101 | BRACKET, air cleaner | 1 | |
| 11 | 01517-08128 | BOLT | 3 | |
| 12 | 13881-70010 | HOSE, air cleaner outlet | 1 | |
| 13 | 09402-58306 | CLAMP, air outlet hose | 2 | |
| 14 | 13841-75100 | HOSE, warm air | 1 | |
| 15 | 09402-50306 | CLAMP, warm air hose | 1 | |

SUZUKI PARTS CATALOGUE

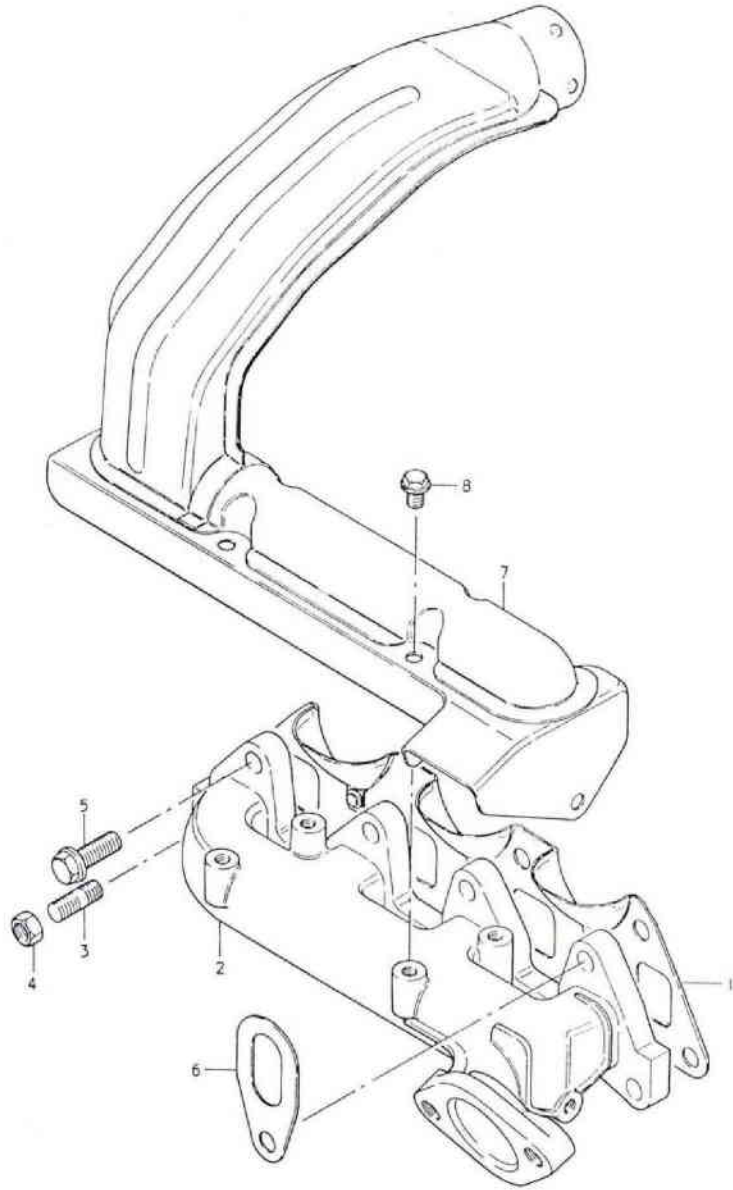


FIG. 12 EXHAUST MANIFOLD

| Ref. No. | Part No. | Description | Q'ty | Remarks |
|----------|-------------|--------------------------|------|---------|
| 01 | 14140-73000 | GASKET, exhaust manifold | 1 | |
| 02 | 14111-75100 | MANIFOLD, exhaust | 1 | |
| 03 | 01411-08258 | STUD BOLT | 4 | |
| 04 | 08310-12088 | NUT | 4 | |
| 05 | 01517-08258 | BOLT | 4 | |
| 06 | 11851-73000 | HANGER, engine | 1 | |
| 07 | 14130-75101 | COVER, exhaust manifold | 1 | |
| 08 | 01517-06108 | BOLT | 5 | |

SUZUKI PARTS CATALOGUE

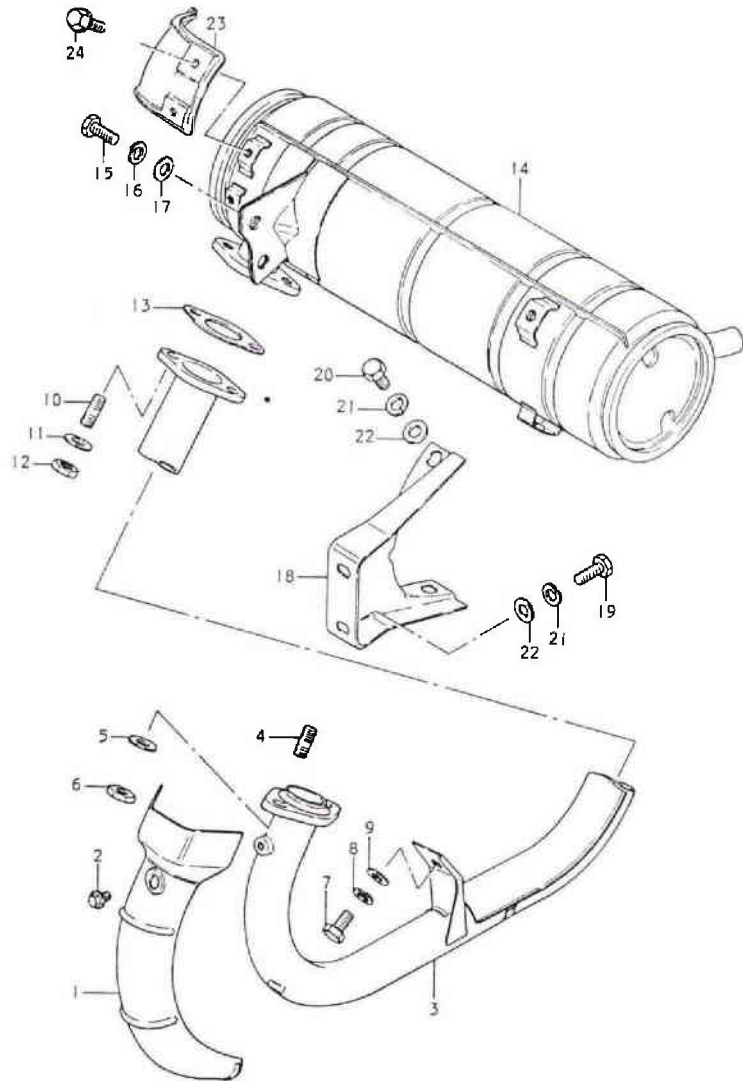


FIG. 13

MUFFLER

| Ref. No. | Part No. | Description | Q'ty | Remarks |
|----------|-------------|------------------------|------|---------|
| 01 | 14251-15100 | COVER, exhaust pipe | 1 | |
| 02 | 01517-06108 | BOLT | 2 | |
| 03 | 14150-75100 | PIPE, exhaust center | 1 | |
| 04 | 01411-10253 | STUD BOLT | 2 | |
| 05 | 08322-11108 | WASHER | 2 | |
| 06 | 08310-12108 | NUT | 2 | |
| 07 | 01107-08168 | BOLT | 1 | |
| 08 | 08322-11088 | WASHER | 1 | |
| 09 | 08321-21088 | LOCK WASHER | 1 | |
| 10 | 01411-10258 | STUD BOLT | 2 | |
| 11 | 08322-11108 | WASHER | 2 | |
| 12 | 08310-12108 | NUT | 2 | |
| 13 | 14181-75100 | GASKET, exhaust center | 1 | |
| 14 | 14300-75100 | MUFFLER | 1 | |
| 15 | 01107-08258 | BOLT | 2 | |
| 16 | 08321-21088 | LOCK WASHER | 2 | |
| 17 | 08322-21088 | WASHER | 2 | |
| 18 | 14781-75100 | BRACKET, muffler LH | 1 | |
| 19 | 01107-08258 | BOLT | 2 | |
| 20 | 01107-08168 | BOLT | 2 | |
| 21 | 08321-21088 | LOCK W/ASHER | 4 | |
| 22 | 08322-21088 | WASHER | 4 | |
| 23 | 14291-75100 | INSULATOR, muffler | 1 | |
| 24 | 01517-06108 | BOLT | 2 | |

SUZUKI PARTS CATALOGUE

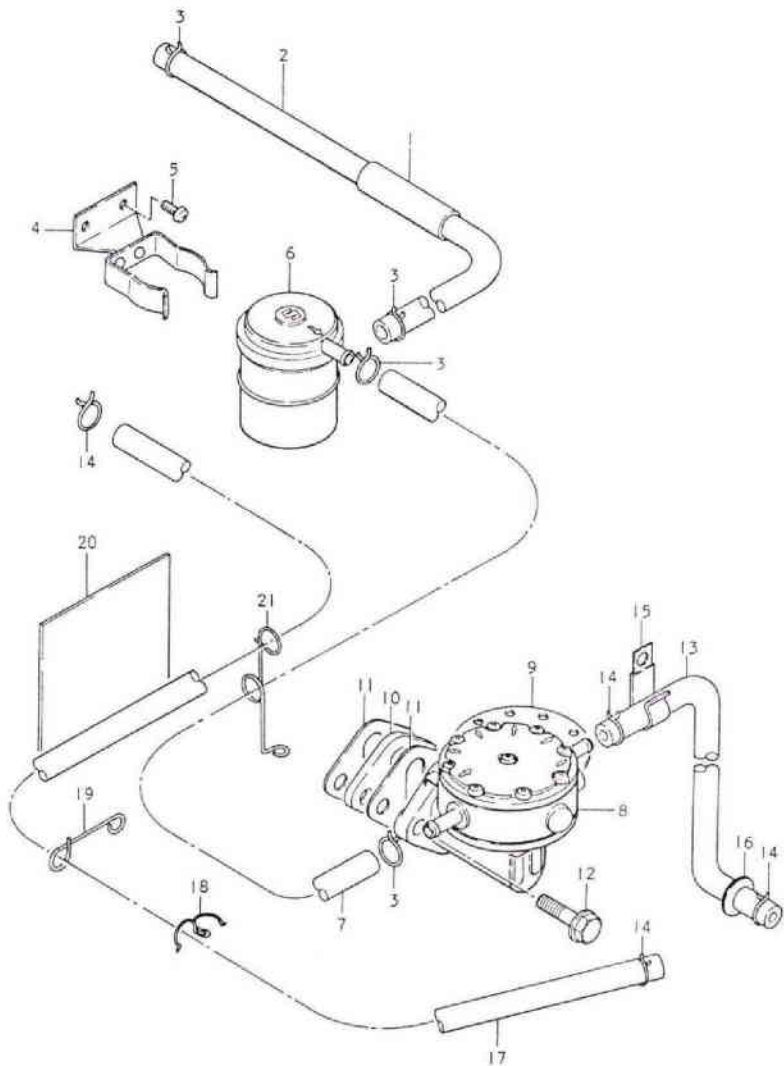


FIG. 14 FUEL PUMP

| Ref. No. | Part No. | Description | Q'ty | Remarks |
|----------|-------------|--------------------------------------|------|----------------|
| 01 | 09343-12004 | PROTECTOR, fuel hose | 1 | |
| 02 | 09343-07050 | HOSE, fuel (tank->filter) | 1 | L: 810 -> 480 |
| 03 | 09401-12301 | CLIP, fuel hose | 4 | |
| 04 | 15420-75100 | BRACKET, fuel filter | 1 | |
| 05 | 02112-05108 | SCREW | 2 | |
| 06 | 15410-76000 | FILTER, fuel | 1 | |
| 07 | 09141-07050 | HOSE, fuel (filter->pump) | 1 | L: 810 -> 240 |
| 08 | 15100-75100 | PUMP ASSY, fuel | 1 | |
| 09 | 15100-76810 | • DIAPHRAGM SET | 1 | |
| 10 | 15318-73000 | INSULATOR, fuel pump | 1 | |
| 11 | 15319-73000 | GASKET, fuel pump | 2 | |
| 12 | 01517-08308 | BOLT | 2 | |
| 13 | 09343-05044 | HOSE, fuel (pump->carburetor) | 1 | L: 1425 -> 350 |
| 14 | 09401-11402 | CLIP, fuel hose | 4 | |
| 15 | 09403-00059 | CLAMP, fuel hose | 1 | |
| 16 | 09308-11004 | GROMMET, fuel hose | 1 | |
| 17 | 09343-05044 | HOSE, fuel return (carburetor->tank) | 1 | L: 1425 -> 615 |
| 18 | 09408-00018 | CLAMP, fuel & by-pass hose | 1 | |
| 19 | 15817-75100 | CLAMP, fuel hose | 1 | |
| 20 | 17821-71500 | PROTECTOR, fuel hose | 1 | |
| 21 | 15816-75100 | CLAMP, fuel hose | 1 | |

SUZUKI PARTS CATALOGUE

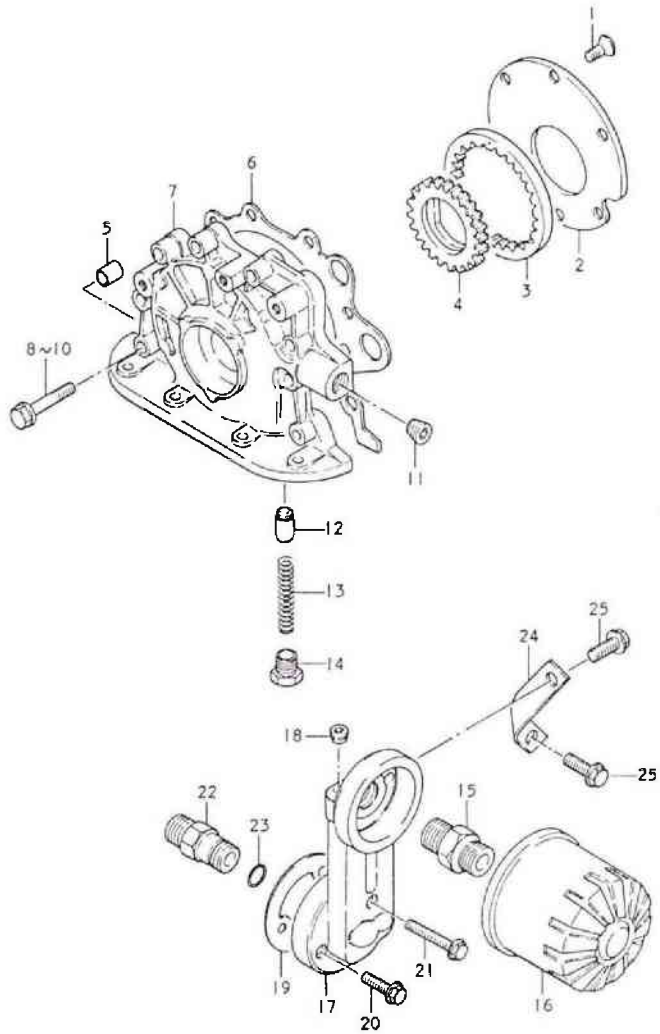


FIG. 15

OIL PUMP

| Ref. No. | Part No. | Description | Q'ty | Remarks |
|----------|-------------|-------------------------------|------|---------|
| 01 | 02122-06128 | SCREW | 6 | |
| 02 | 16161-73000 | PLATE, oil pump gear | 1 | |
| 03 | 16131-73000 | GEAR, oil pump inner | 1 | |
| 04 | 16132-73000 | GEAR, oil pump outer | 1 | |
| 05 | 04211-09109 | KNOC, PIN | 2 | |
| 06 | 16119-73000 | GASKET, oil pump case | 1 | |
| 07 | 16111-73000 | CASE, oil pump | 1 | |
| 08 | 01517-06308 | BOLT | 1 | |
| 09 | 01517-06358 | BOLT (1) | 5 | |
| 10 | 01517-06408 | BOLT (2) | 2 | |
| 11 | 09246-06001 | PLUG, oil gallery | 1 | |
| 12 | 16151-73000 | VALVE, oil pump relief | 1 | |
| 13 | 16152-75001 | SPRING, oil relief valve | 1 | |
| 14 | 16153-73000 | RETAINER, relief valve spring | 1 | |
| 15 | 11241-73000 | STAND, oil filter | 1 | |
| 16 | 16510-73000 | FILTER, oil | 1 | |
| 17 | 16531-75100 | CASE, oil filter adopter | 1 | |
| 18 | 09246-06001 | PLUG, oil gallery | 1 | |
| 19 | 16539-76000 | GASKET, oil filter adopter | 1 | |
| 20 | 01517-06258 | BOLT | 2 | |
| 21 | 01517-06408 | BOLT | 1 | |
| 22 | 11241-76000 | STAND, oil filter | 1 | |
| 23 | 09280-16005 | O-RING | 1 | |
| 24 | 16537-75100 | BRACKET, oil filter adopter | 1 | |
| 25 | 01517-08168 | BOLT | 2 | |

SUZUKI PARTS CATALOGUE

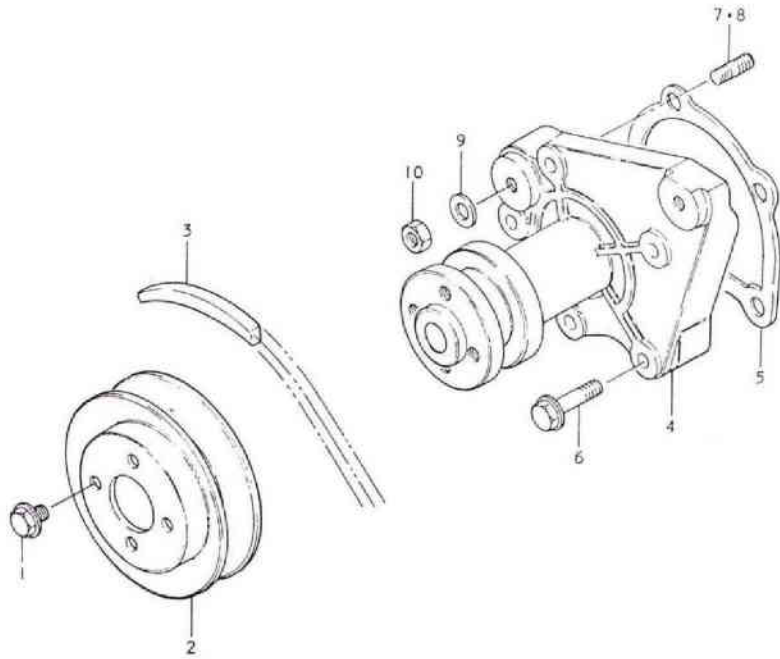


FIG. 16 WATER PUMP

| Ref. No. | Part No. | Description | Q'ty | Remarks |
|----------|-------------|--------------------|------|---------|
| 01 | 01517-06108 | BOLT | 4 | |
| 02 | 17511-77001 | PULLEY, water pump | 1 | |
| 03 | 17521-75100 | BELT, water pump | 1 | |
| 04 | 17400-73011 | PUMP ASSY, water | 1 | |
| 05 | 17431-73000 | GASKET, water pump | 1 | |
| 06 | 01517-06308 | BOLT | 2 | |
| 07 | 01411-06308 | STUD BOLT | 1 | L: 38 |
| 08 | 09108-06013 | STUD BOLT | 2 | L: 33 |
| 09 | 08322-21068 | WASHER | 2 | |
| 10 | 08310-11068 | NUT | 2 | |

SUZUKI PARTS CATALOGUE

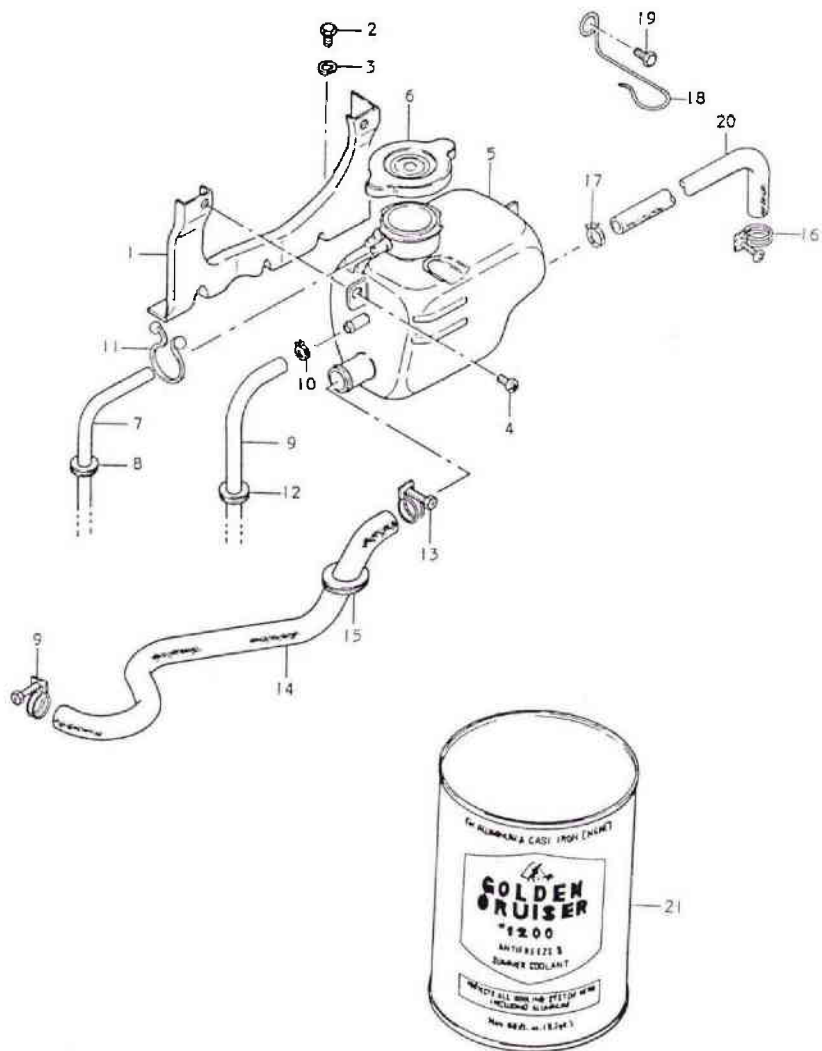


FIG. 17 WATER RESERVE TANK

| Ref. No. | Part No. | Description | Q'ty | Remarks |
|----------|-------------|---|------|-----------------|
| 01 | 63425-75000 | BRACKET, reserve | 1 | |
| 02 | 01107-06128 | BOLT | 2 | |
| 03 | 08321-21068 | LOCK WASHER | 2 | |
| 04 | 02142-05107 | SCREW | 2 | |
| 05 | 17910-75100 | TANK, water reserve | 1 | |
| 06 | 17920-63000 | CAP, reserve tank | 1 | ND |
| 07 | 09344-07007 | HOSE, over flow | 1 | L: 170 -> 150 |
| 08 | 09308-10005 | GROMMET, over flow hose | 1 | |
| 09 | 09343-05145 | HOSE, reserve tank (TANK<->RADIATOR) | 1 | L: 980 -> 770 |
| 10 | 09401-09401 | CLAMP, reserve hose | 2 | |
| 11 | 09408-00008 | CLIP, hose | 1 | |
| 12 | 09308-11004 | GROMMET, reserve hose | 1 | |
| 13 | 09400-30401 | CLAMP, water filler hose | 2 | |
| 14 | 17851-75020 | HOSE, water filler | 1 | |
| 15 | 62253-66000 | GROMMET, water filler hose | 1 | |
| 16 | 09400-14301 | CLAMP, air breather hose | 1 | |
| 17 | 09401-11404 | CLIP, air breather hose | 1 | |
| 18 | 23915-73010 | CLAMP, air breather hose | 1 | |
| 19 | 01517-06108 | BOLT | 1 | |
| 20 | 09343-07024 | HOSE, air breather (TANK<->CYLINDER HEAD) | 1 | L: 1850 -> 3030 |
| 21 | 99000-24120 | GOLDEN CRUISER "1200" | 1 | OPT |

SUZUKI PARTS CATALOGUE

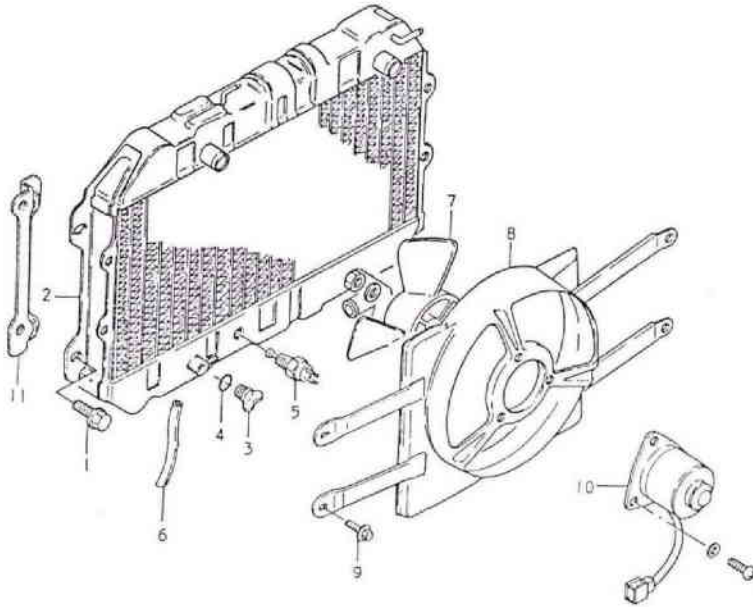


FIG. 18 RADIATOR

| Ref. No. | Part No. | Description | Q'ty | Remarks |
|----------|-------------|-----------------------------|------|--------------|
| 01 | 01517-08128 | BOLT | 8 | |
| 02 | 17700-75110 | RADIATOR ASSY | 1 | ND |
| 03 | 17751-72010 | • PLUG, radiator drain | 1 | ND |
| 04 | 17759-72010 | • O-RING | 1 | ND |
| 05 | 17680-71520 | SWITCH ASSY, thermo control | 1 | |
| 06 | 09344-07012 | HOSE, radiator drain | 1 | 7.5x10.5x160 |
| 07 | 17111-74010 | FAN, engine cooling | 1 | ND |
| 08 | 17760-75110 | SHROUD, cooling fan | 1 | ND |
| 09 | 01517-06108 | BOLT | 4 | |
| 10 | 17120-75110 | MOTOR, engine cooling fan | 1 | ND |
| 11 | 17810-75100 | BRACKET, radiator support | 2 | |

SUZUKI PARTS CATALOGUE

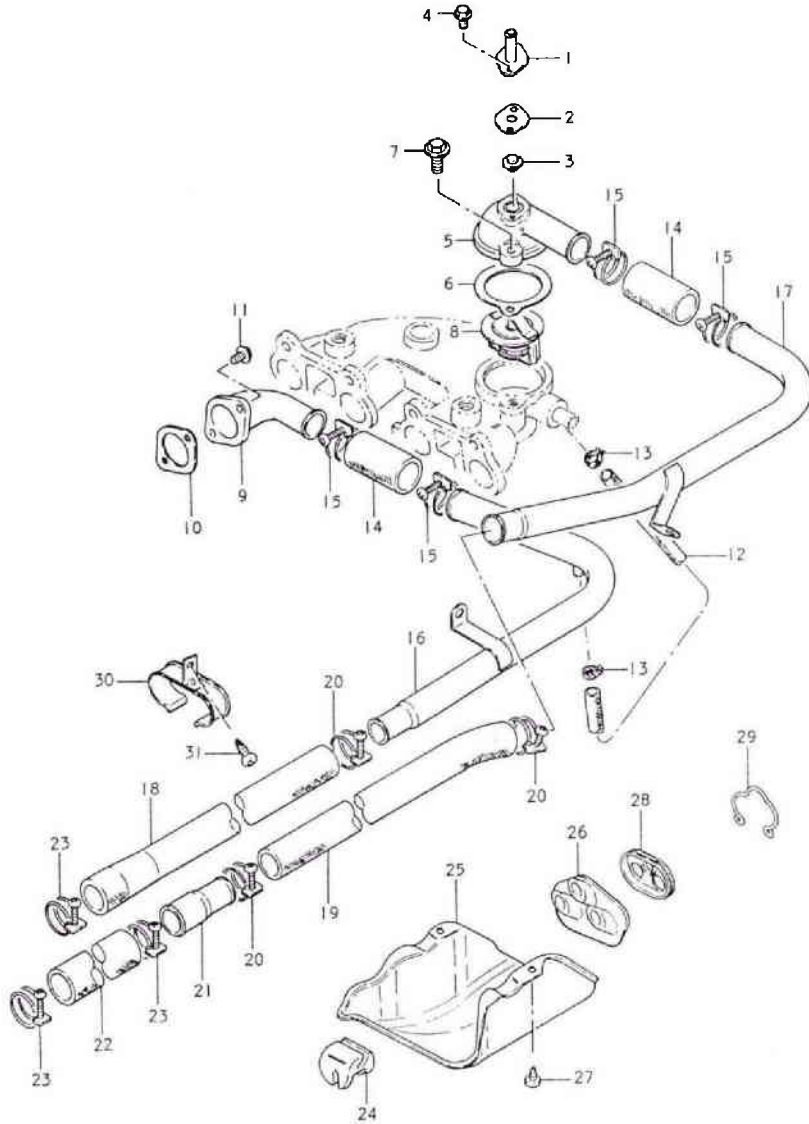


FIG. 19 WATER HOSE

| Ref. No. | Part No. | Description | Q'ty | Remarks |
|----------|-------------|----------------------------|------|----------------|
| 01 | 17640-65001 | PIPE, air breather | 1 | |
| 02 | 11649-65001 | GASKET, air breather | 1 | |
| 03 | 11630-65023 | VALVE, air breather | 1 | |
| 04 | 01517-06168 | BOLT | 2 | |
| 05 | 17561-75100 | CAP, water thermostat | 1 | |
| 06 | 17569-73000 | GASKET, thermostat cap | 1 | |
| 07 | 01517-08258 | BOLT | 2 | |
| 08 | 17570-74000 | THERMOSTAT, water | 1 | |
| 09 | 17551-75100 | PIPE, water inlet | 1 | |
| 10 | 17559-73000 | GASKET, water inlet pipe | 1 | |
| 11 | 01517-06168 | BOLT | 2 | |
| 12 | 09343-07011 | HOSE, water by-bass | 1 | L: 1130 -> 200 |
| 13 | 09401-11404 | CLIP, by-pass hose | 2 | |
| 14 | 17855-75100 | HOSE, water pipe joint | 2 | |
| 15 | 09400-34401 | CLAMP, hose | 4 | |
| 16 | 17830-75100 | PIPE, water (1) | 1 | |
| 17 | 17840-75100 | PIPE, water (2) | 1 | |
| 18 | 17854-75101 | HOSE, radiator outlet | 1 | L: 2310 |
| 19 | 17852-75101 | HOSE, radiator inlet | 1 | L: 2400 |
| 20 | 09400-30401 | CLAMP, hose | 3 | |
| 21 | 17863-75100 | PIPE, radiator inlet joint | 1 | |
| 22 | 17853-75101 | HOSE, radiator inlet joint | 1 | |
| 23 | 09400-34401 | CLAMP, hose | 3 | |
| 24 | 65189-65000 | SPACER, brake pipe | 1 | |
| 25 | 65181-70600 | COVER, radiator hose | 1 | |
| 26 | 63541-74000 | SHILD RUBBER, hose | 1 | |
| 27 | 03141-05128 | SCREW | 2 | |
| 28 | 66471-74000 | GROMMET, water hose | 1 | |
| 29 | 17885-74000 | CLAMP, water hose | 1 | |
| 30 | 17870-75100 | CLAMP, water hose lower | 1 | |
| 31 | 03141-06108 | SCREW | 1 | |

SUZUKI PARTS CATALOGUE

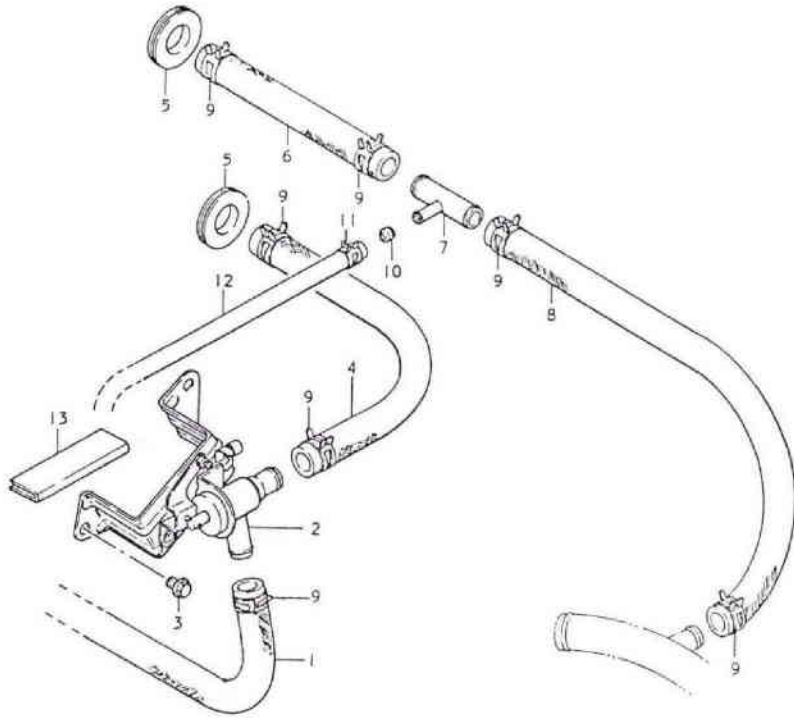


FIG. 20 HEATER HOSE

| Ref. No. | Part No. | Description | Q'ty | Remarks |
|----------|-------------|--------------------------------|------|-------------------|
| 01 | 17856-75100 | HOSE, heater | 1 | L: 2720 |
| 02 | 88200-74010 | VALVE, water | 1 | ND |
| 03 | 01517-06108 | BOLT | 2 | |
| 04 | 17859-74020 | HOSE, heater inlet | 1 | RHD L: 440 -> 420 |
| 04 | 17859-74020 | HOSE, heater inlet | 1 | LHD L: 440 -> 140 |
| 05 | 09308-18002 | GROMMET, heater hose | 2 | |
| 06 | 17859-74020 | HOSE, heater outlet (1) | 1 | L: 440 -> 220 |
| 07 | 17865-74000 | PIPE, heater hose air breather | 1 | |
| 08 | 17859-74020 | HOSE, heater outlet (2) | 1 | L: 440 |
| 09 | 09401-18401 | CLAMP, heater hose | 8 | |
| 10 | 17866-74000 | ORIFICE, heater air breather | 1 | |
| 11 | 09401-09401 | CLAMP | 2 | |
| 12 | 09343-05145 | HOSE, heater air breather | 1 | RHD L: 980 |
| 12 | 09343-05145 | HOSE, heater air breather | 1 | LHD L: 980 -> 900 |
| 13 | 65449-64000 | PROTECTOR, heater hose | 1 | |

SUZUKI PARTS CATALOGUE

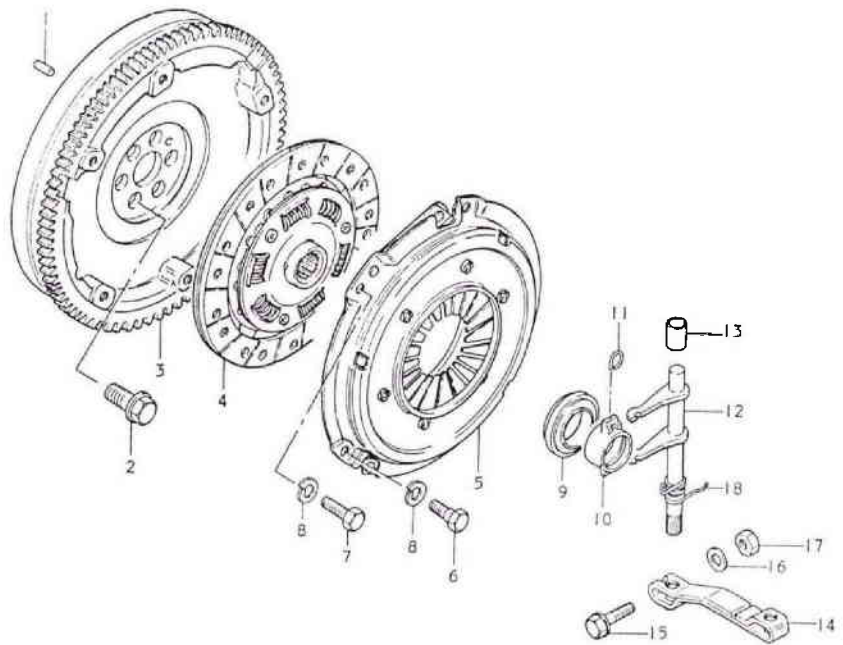


FIG. 21 CLUTCH

| Ref. No. | Part No. | Description | Q'ty | Remarks |
|----------|-------------|----------------------------|------|---------|
| 01 | 04221-06129 | KNOCK PIN | 1 | |
| 02 | 09103-10011 | BOLT, flywheel | 6 | 10x17 |
| 03 | 12620-77000 | FLYWHEEL | 1 | |
| 04 | 22400-75120 | DISK, clutch | 1 | ASCO |
| 05 | 22100-75120 | COVER ASSY, clutch | 1 | ASCO |
| 06 | 09111-08035 | BOLT, clutch | 2 | |
| 07 | 01107-08168 | BOLT | 4 | |
| 08 | 08321-21088 | LOCK WASHER | 6 | |
| 09 | 09269-35003 | BEARING, clutch release | 1 | |
| 10 | 23161-58000 | RETAINER, release bearing | 1 | |
| 11 | 09448-12005 | SPRING, bearing retainer | 2 | |
| 12 | 23260-74000 | SHAFT, clutch release | 1 | |
| 13 | 09300-12011 | BUSH, clutch release shaft | 2 | |
| 14 | 23266-74000 | ARM, clutch release | 1 | |
| 15 | 01517-08308 | BOLT | 1 | |
| 16 | 08322-11088 | WASHER | 1 | |
| 17 | 08310-12088 | NUT | 1 | |
| 18 | 09448-18008 | SPRING, shaft return | 1 | |

SUZUKI PARTS CATALOGUE

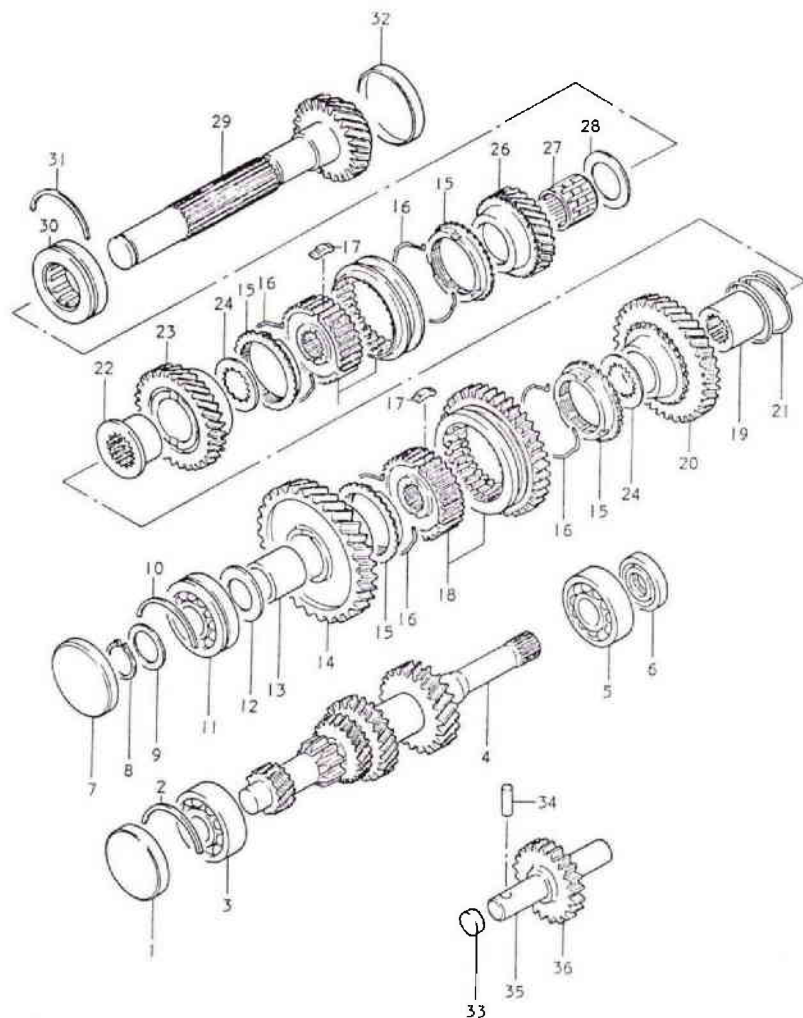


FIG. 22 TRANSMISSION

| Ref. No. | Part No. | Description | Q'ty | Remarks |
|----------|-------------|--------------------------------|------|-----------|
| 01 | 09241-47002 | PLUG, input shaft LH | 1 | |
| 02 | 09390-47006 | C-RING | 1 | |
| 03 | 08133-63030 | BEARING, input shaft LH | 1 | |
| 04 | 24110-75100 | SHAFT, transmission input | 1 | |
| 05 | 08133-62040 | BEARING, input shaft RH | 1 | 20x47x14 |
| 06 | 09283-20024 | OIL SEAL, input shaft retainer | 1 | 20x35x7 |
| 07 | 09241-52001 | PLUG, countershaft LH | 1 | |
| 08 | 08331-11209 | CIRCLIP | 1 | |
| 09 | 08211-20302 | THRUST WASHER | 1 | 20x30x1.5 |
| 10 | 09390-52003 | O-RING | 1 | |
| 11 | 08163-63040 | BEARING, countershaft LH | 1 | |
| 12 | 08211-20362 | THRUST WASHER | 1 | 20x36x1.5 |
| 13 | 09300-20020 | BUSH, countershaft low gear | 1 | 20x26x28 |
| 14 | 24311-75100 | GEAR, countershaft low | 4 | NT: 42 |
| 15 | 24431-74030 | RING, synchronizer | 4 | |
| 16 | 09388-00007 | SPRING, synchronizer | 6 | |
| 17 | 09422-05009 | KEY, synchronizer | 1 | |
| 18 | 24400-74810 | LOW SPEED HUB SET | 1 | NT: 37 |
| 19 | 09319-24002 | SPACER, 2nd gear | 1 | |
| 20 | 24321-75100 | GEAR, countershaft 2nd | 1 | NT: 32 |
| 21 | 09440-50001 | SPRING, 2nd/3rd | 1 | |
| 22 | 09319-24003 | SPACER, 3rd gear | 1 | |
| 23 | 24331-75100 | GEAR, countershaft 3rd | 2 | NT: 32 |
| 24 | 09167-24002 | THRUST WASHER, 2nd/3rd | 1 | |
| 25 | 24400-70810 | HIGH SPEED HUB SET | 1 | |
| 26 | 24341-75100 | GEAR COUNTERSHAFT TOP | 1 | NT: 27 |
| 27 | 09263-25021 | BEARING, top gear | 1 | |
| 28 | 08211-25402 | THRUST WASHER | 1 | 25x40x1.5 |
| 29 | 24131-75100 | SHAFT, transmissions counter | 1 | NT: 20 |
| 30 | 09263-30010 | BEARING, countershaft RH | 1 | |
| 31 | 09390-50002 | C-RING | 1 | |
| 32 | 09241-50001 | PLUG, RH bearing | 1 | |
| 33 | 09241-14001 | PLUG, reverse gear shaft | 1 | |
| 34 | 09202-05015 | PIN | 1 | 5x10 |
| 35 | 24551-74000 | SHAFT, reverse gear | 1 | L: 95 |
| 36 | 24560-74000 | GEAR, reverse idle | 1 | NT: 22 |

SUZUKI PARTS CATALOGUE

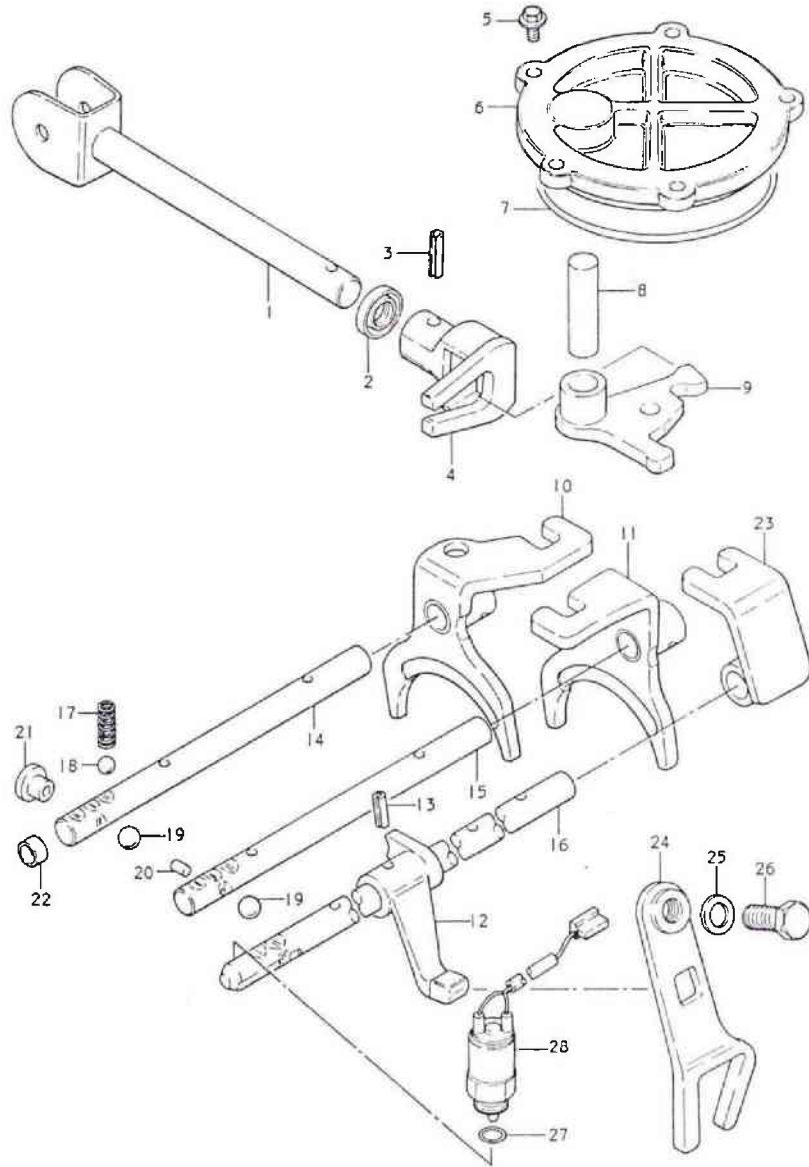


FIG. 23 GEAR SHIFT FORK

| Ref. No. | Part No. | Description | Q'ty | Remarks |
|----------|-------------|-----------------------------------|------|-----------------|
| 01 | 25110-74000 | SHAFT, gear shift | 1 | |
| 02 | 09283-14001 | OIL SEAL, gear shift | 1 | |
| 03 | 09205-05005 | PIN, gear shift shaft | 1 | 5,2x22 |
| 04 | 25520-74001 | YORK, gear shift | 1 | |
| 05 | 01517-06208 | BOLT | 5 | |
| 06 | 25573-75100 | CAP, gear shift arm shaft | 1 | |
| 07 | 09280-96001 | O-RING, cap | 1 | |
| 08 | 25571-75100 | SHAFT, gear shift arm | 1 | |
| 09 | 25540-75100 | ARM, gear shift | 1 | |
| 10 | 25210-74001 | FORK, low speed gear shift | 1 | |
| 11 | 25220-74000 | FORK, high speed gear shift | 1 | |
| 12 | 25251-74000 | ARM, reverse gear shift | 1 | |
| 13 | 09205-04003 | PI N, gear shift shaft | 7 | 4,9x18 |
| 14 | 25411-74000 | SHAFT, fork low speed gear shift | 1 | |
| 15 | 25421-74000 | SHAFT, fork high speed gear shift | 1 | |
| 16 | 25451-75100 | SHAFT, reverse gear shift | 1 | |
| 17 | 09440-07005 | SPRI NG, gear shift locating | 3 | |
| 18 | 06111-10003 | BALL, gear shift locating | 3 | 7,9 |
| 19 | 06111-12004 | BALL, gear shift interlock | 2 | 9,5 |
| 20 | 09261-03002 | ROLLER, gear shift interlock | 1 | 3x9,8 |
| 21 | 09250-10006 | PLUG, gear shift interlock | 1 | |
| 22 | 09241-12001 | PLUG, gear shift fork shaft | 6 | |
| 23 | 25260-74001 | YORK, reverse gear shift | 1 | |
| 24 | 25460-74000 | LEVER, reverse gear shift | 1 | |
| 25 | 09168-10007 | GASKET, reverse shift lever bolt | 1 | 10x16x1,0 |
| 26 | 25711-60000 | BOLT, gear shift lever | 1 | 10x31 |
| 27 | 09280-11002 | O-RING | 1 | d: 1,9 ID: 11,4 |
| 28 | 37610-75100 | SWITCH, back up lamp | 1 | |

SUZUKI PARTS CATALOGUE

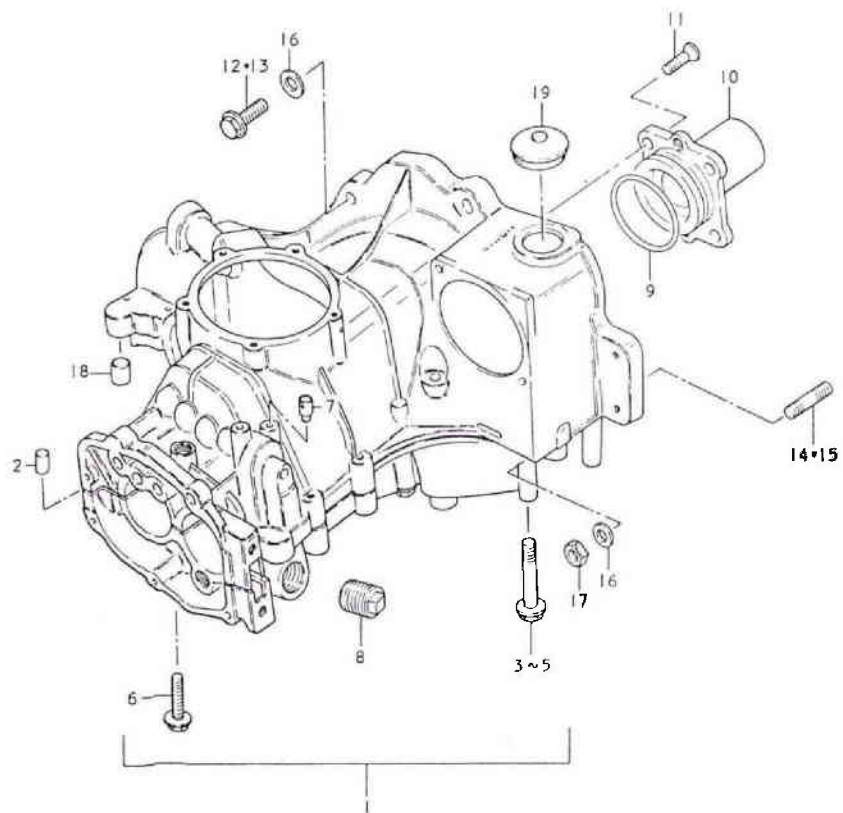


FIG. 24 TRANSMISSION CASE

| Ref. No. | Part No. | Description | Q'ty | Remarks |
|----------|-------------|-------------------------------|------|---------|
| 01 | 24700-75810 | CASE SET, transmission | 1 | |
| 02 | 04211-11169 | • KNOCK PIN | 2 | |
| 03 | 01517-08508 | • BOLT (1) | 9 | |
| 04 | 01517-08708 | • BOLT (2) | 6 | |
| 05 | 01517-08958 | • BOLT (3) | 3 | |
| 06 | 01517-06708 | • BOLT (4) | 1 | |
| 07 | 24821-09000 | PLUG, breather | 1 | |
| 08 | 09246-16002 | PLUG, drain | 2 | |
| 09 | 09280-43002 | O-RING, input shaft retainer | 1 | |
| 10 | 24741-75100 | RETAINER, input shaft bearing | 1 | |
| 11 | 02122-06168 | SCREW | 4 | |
| 12 | 01517-10408 | BOLT (1) | 1 | |
| 13 | 01517-10508 | BOLT (2) | 1 | |
| 14 | 01421-10458 | STUDBOLT (1) | 1 | |
| 15 | 01421-10408 | STUDBOLT (2) | 1 | |
| 16 | 08322-11108 | WASHER | 4 | |
| 17 | 08310-12108 | NUT | 2 | |
| 18 | 09206-13001 | KNOCKPIN | 2 | |
| 19 | 09250-30003 | PLUG, inspection timing | 1 | |

SUZUKI PARTS CATALOGUE

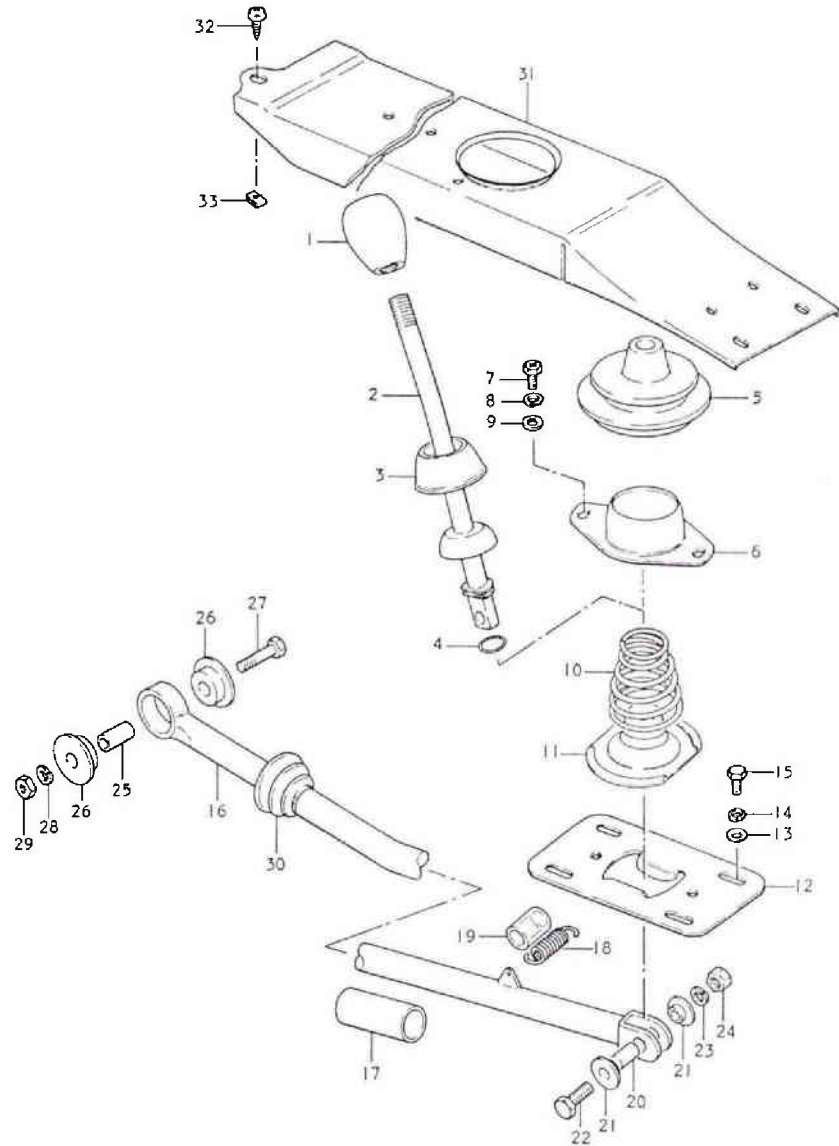


FIG. 25 CHANGE REMOTE CONTROL

| Ref. No. | Part No. | Description | Q'ty | Remarks |
|----------|-------------|-------------------------------|------|-----------|
| 01 | 28113-71500 | KNOB, gear shift lever | 1 | |
| 02 | 28110-75001 | LEVER COMP, gear shift | 1 | |
| 03 | 28115-64000 | SEAL, gear shift lever | 1 | |
| 04 | 28119-74000 | RING, shift lever cushion | 1 | |
| 05 | 28135-64000 | BOOT, gear shift lever | 1 | |
| 06 | 28181-58002 | HOUSING, gear shift lever | 1 | |
| 07 | 01107-10168 | BOLT | 2 | |
| 08 | 08321-21108 | LOCK WASHER | 2 | |
| 09 | 08322-11108 | WASHER | 2 | |
| 10 | 09441-41003 | SPRING, gear shift lever | 1 | |
| 11 | 28136-58001 | DUST SEAL | 1 | |
| 12 | 28190-64000 | PLATE, gear shift lever guide | 1 | |
| 13 | 08322-21068 | WASHER | 4 | |
| 14 | 08321-21068 | LOCK WASHER | 4 | |
| 15 | 01107-06168 | BOLT | 4 | |
| 16 | 28250-75101 | SHAFT, gear shift control | 1 | L: 1215 |
| 17 | 28255-71500 | SPACER, gear shift control | 1 | |
| 18 | 09443-13006 | SPRING, control lever return | 1 | |
| 19 | 09344-13001 | HOSE | 1 | |
| 20 | 09180-06018 | SPACER, front | 1 | 6x8x12.4 |
| 21 | 09306-08002 | BUSH | 2 | 8x20x6.5 |
| 22 | 09100-06036 | BOLT | 1 | 6x27 |
| 23 | 08321-21068 | LOCK WASHER | 1 | |
| 24 | 08310-11068 | NUT | 1 | |
| 25 | 09180-08053 | SPACER, gear shift rear | 1 | 8x11x23.5 |
| 26 | 28291-58000 | BUSH, rear | 2 | |
| 27 | 01107-08358 | BOLT | 1 | |
| 28 | 08321-21088 | LOCK WASHER | 1 | |
| 29 | 08310-12088 | NUT | 1 | |
| 30 | 28273-66000 | DUST COVER, control | 1 | |
| 31 | 66415-75000 | LID, service (1) | 1 | |
| 32 | 03141-05128 | SCREW | 3 | |
| 33 | 09148-05003 | NUT | 2 | |

SUZUKI PARTS CATALOGUE

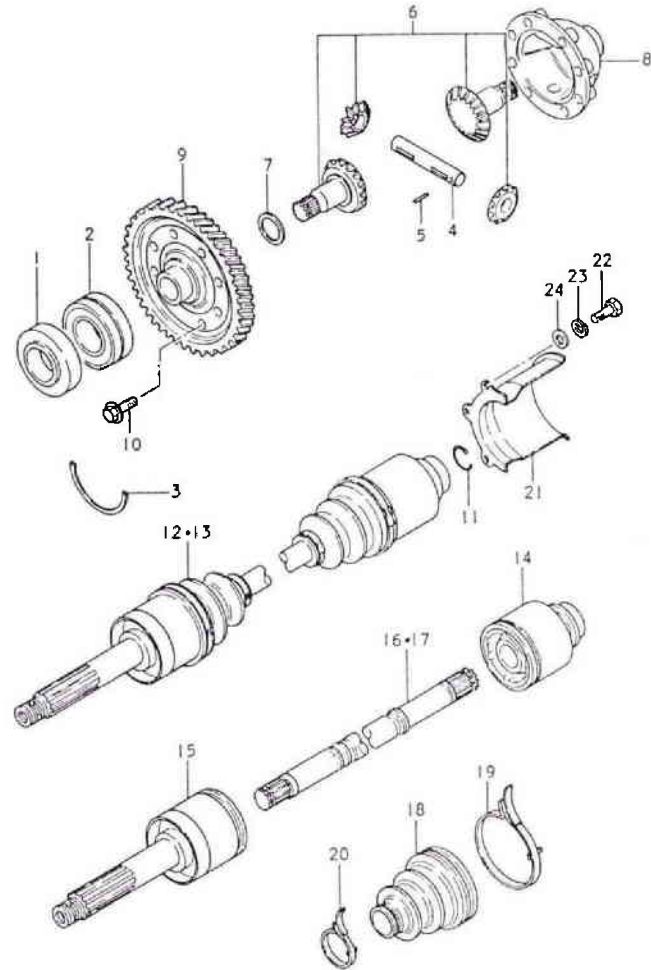


FIG. 26 DIFFERENTIAL GEAR

| Ref. No. | Part No. | Description | Q'ty | Remarks |
|----------|-------------|---------------------------------|----------|--------------|
| 01 | 09283-35013 | OIL SEAL, differential side | 2 | |
| 02 | 08143-62070 | BEARING, differential side | 2 | |
| 03 | 09390-72005 | C-RING, bearing | 2 | |
| 04 | 27351-72000 | SHAFT, differential side pinion | 1 | OD: 15 L: 92 |
| 05 | 09202-05016 | KNOCK PIN | 1 | OD: 05 L: 26 |
| 06 | 27300-75810 | GEAR SET, differential | 1 | |
| 07-1 | 08221-25356 | THRUST WASHER (1) | AR (0~2) | 25x15x0.8 |
| 07-2 | 08211-25351 | THRUST WASHER (2) | AR (0~2) | 25x15x1.0 |
| 07-3 | 09160-25026 | THRUST WASHER (3) | AR (0~2) | 25x35x1.2 |
| 08 | 27411-75100 | CASE, differential | 1 | |
| 09 | 27511-75100 | GEAR, final | 1 | NT: 71 |
| 10 | 09103-10014 | BOLT | 8 | |
| 11 | 09381-24001 | SNAP RING | 2 | |
| 12 | 27100-75110 | SHAFT ASSY, drive RH | 1 | |
| 13 | 27200-75110 | SHAFT ASSY, drive LH | 1 | |
| 14 | 27130-75110 | • JOINT ASSY, differential side | 2 | |
| 15 | 27160-75110 | • JOINT ASSY, wheel side | 2 | |
| 16 | 27151-75110 | • SHAFT, drive RH | 1 | L.: 502 |
| 17 | 27251-75110 | • SHAFT, drive LH | 1 | L.: 321.5 |
| 18 | 27191-75110 | • BOOT, ball joint | 4 | |
| 19 | 27192-75110 | • BAND, ball joint (1) | 4 | |
| 20 | 27193-75110 | • BAND, ball joint (2) | 4 | |
| 21 | 27199-75100 | COVER, drive shaft | 1 | |
| 22 | 01107-06128 | BOLT | 2 | |
| 23 | 08321-21068 | LOCK WASHER | 2 | |
| 24 | 08322-21068 | WASHER | 2 | |

SUZUKI PARTS CATALOGUE

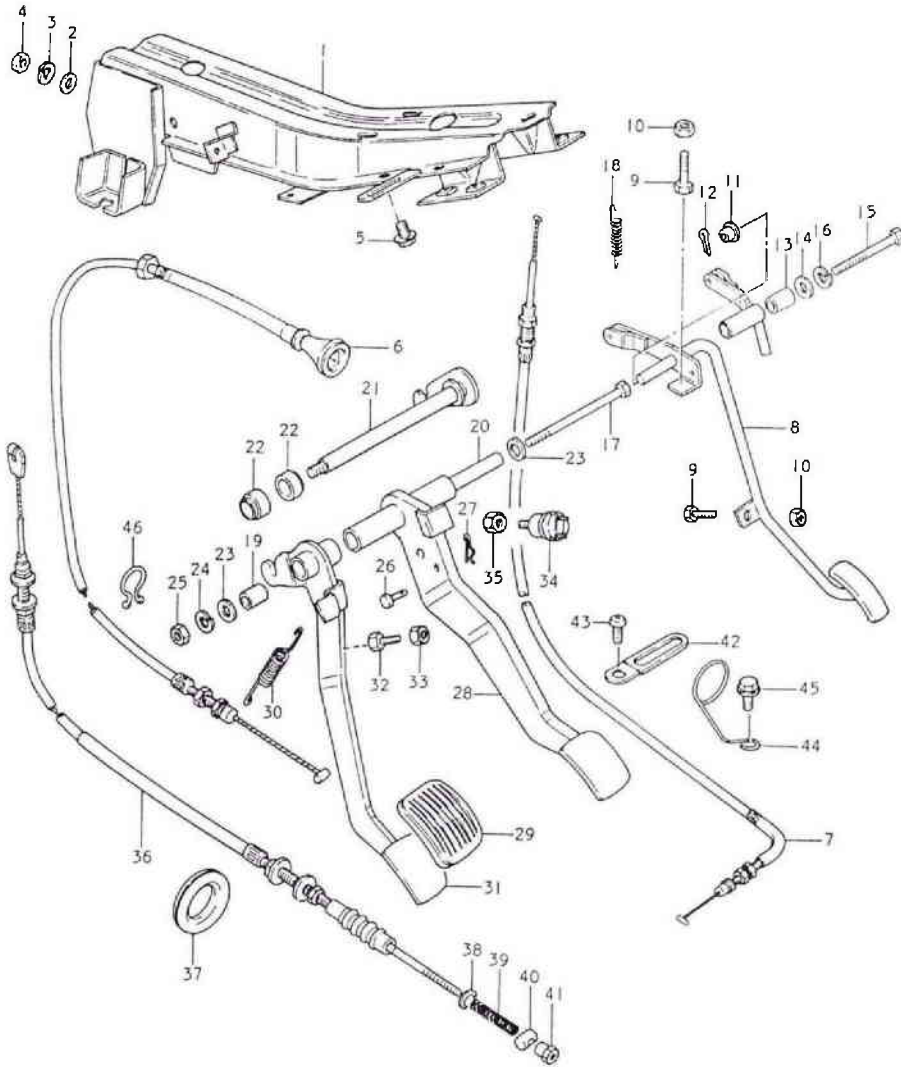


FIG. 27 FOOT PEDAL - CABLE

| Ref. No. | Part No. | Description | Q'ty | Remarks |
|----------|-------------|---------------------------|------|----------------|
| 01-1 | 49710-75000 | BRACKET COMP, pedal | 1 | RHD |
| 01-2 | 49710-75110 | BRACKET COMP, pedal | 1 | LHD |
| 02 | 08322-21088 | WASHER | 2 | |
| 03 | 08321-21088 | LOCK WASHER | 2 | |
| 04 | 08310-12088 | NUT | 2 | |
| 05 | 01517-06128 | BOLT | 2 | |
| 06-1 | 15930-75100 | CABLE ASSY, choke | 1 | RHD L: 3344 |
| 06-2 | 15930-75110 | CABLE ASSY, choke | 1 | LHD L: 3494 |
| 07-1 | 15910-75100 | CABLE ASSY, accelerator | 1 | RHD |
| 07-2 | 15910-75110 | CABLE ASSY, accelerator | 1 | LHD |
| 08-1 | 28710-70001 | PEDAL COMP, accelerator | 1 | RHD |
| 08-2 | 28710-70600 | PEDAL COMP, accelerator | 1 | LHD |
| 09 | 09100-06050 | BOLT | 2 | |
| 10 | 08310-22068 | NUT | 2 | |
| 11 | 09306-10002 | BUSH, accelerator | 1 | |
| 12 | 04111-20208 | COTTER PIN | 1 | |
| 13 | 09180-10042 | SPACER, accelerator pedal | 1 | LHD 10x13x35 |
| 14 | 08322-11108 | WASHER | 1 | LHD |
| 15 | 01107-10508 | BOLT | 1 | LHD |
| 16 | 08321-21108 | LOCK WASHER | 1 | LHD |
| 17 | 09100-10070 | BOLT, pedal | 1 | RHD 10X130 |
| 18 | 09443-08013 | SPRING, accelerator pedal | 1 | |
| 19 | 09180-10042 | SPACER, clutch pedal | 1 | RHD 10x13x35 |
| 20 | 09180-10027 | SPACER, brake Pedal | 1 | RHD 10X13X77.5 |
| 21 | 28860-70600 | ARM, accelerator pedal | 1 | LHD |
| 22 | 09306-13001 | BUSH, accelerator pedal | 2 | LHD |
| 23 | 08322-11108 | WASHER | 2 | |
| 24 | 08321-21108 | LOCK WASHER | 1 | |
| 25 | 08310-12108 | NUT | 1 | |
| 26 | 09200-08006 | PIN, brake pedal | 1 | |

SUZUKI PARTS CATALOGUE

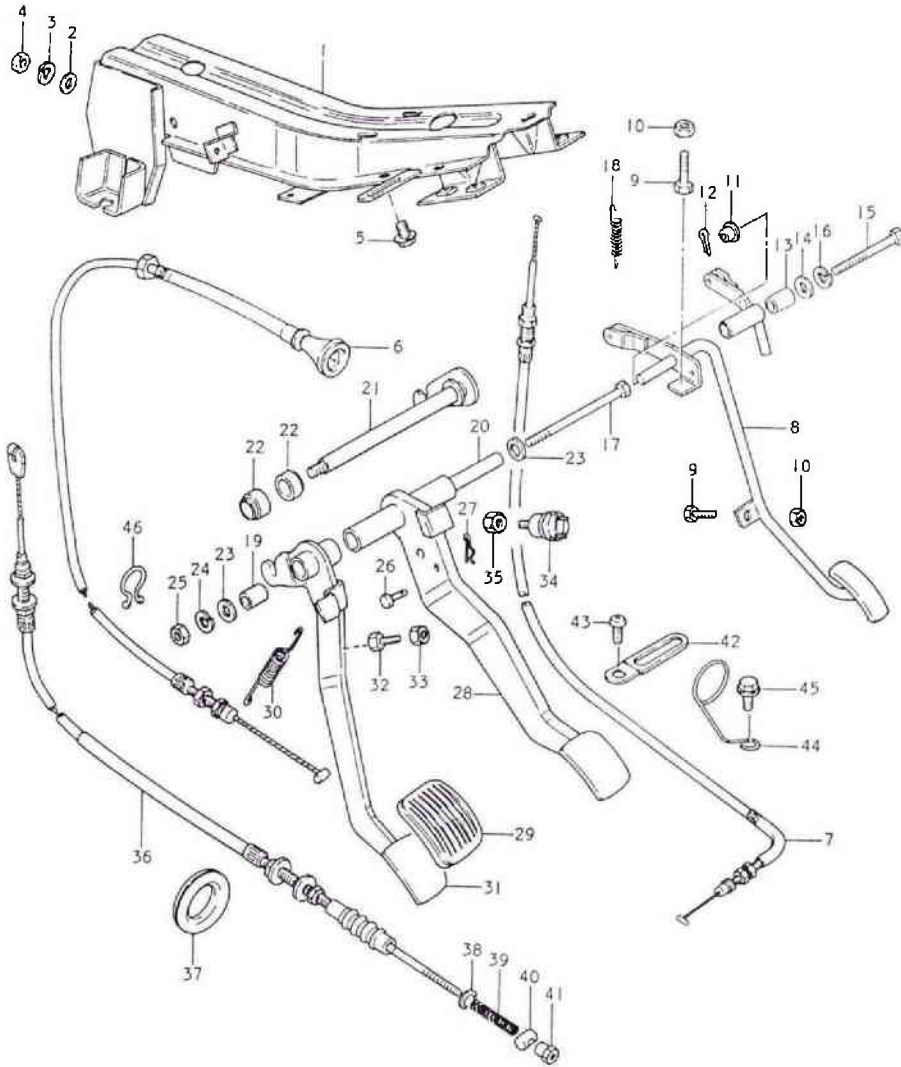


FIG. 27 FOOT PEDAL - CABLE

| Ref. No. | Part No. | Description | Q'ty | Remarks |
|----------|-------------|------------------------|------|---------|
| 27 | 09385-08002 | CL IP | 1 | |
| 28-1 | 28810-70000 | PEDAL COMP, brake | 1 | RHD |
| 28-2 | 28810-70600 | PEDAL COMP, brake | 1 | LHD |
| 29 | 28911-51000 | PAD, pedal | 2 | |
| 30-1 | 09443-13002 | SPRI NG, pedal return | 2 | RHD |
| 30-2 | 09443-12006 | SPRI NG, pedal return | 2 | LHD |
| 31-1 | 49810-71500 | PEDAL COMP, clutch | 1 | RHD |
| 31-2 | 49810-70601 | PEDAL COMP, clutch | 1 | LHD |
| 32-1 | 01107-06358 | BOLT | 1 | RHD |
| 32-2 | 01107-06458 | BOLT | 1 | LHD |
| 33 | 08310-22068 | NUT | 1 | |
| 34 | 37740-66040 | SWITCH ASSY, stop lamp | 1 | |
| 35 | 08310-22108 | NUT | 1 | |
| 36-1 | 23710-74011 | CABLE ASSY, clutch | 1 | RHD |
| 36-2 | 23710-75110 | CABLE ASSY, clutch | 1 | LHD |
| 37 | 09308-25001 | GROMMET, control cable | 1 | |
| 38 | 08322-21068 | WASHER | 1 | |
| 39 | 09440-08010 | SPRING, clutch pedal | 1 | |
| 40 | 09209-13003 | PIN, joint | 1 | |
| 41 | 09150-06001 | NUT, joint | 1 | |
| 42 | 09404-06403 | CLAMP, cab le | 1 | |
| 43 | 02142-05087 | SCREW | 1 | |
| 44 | 18339-70400 | CLAMP, cable | 1 | |
| 45 | 01517-06108 | BO LT | 1 | |
| 46 | 09408-00012 | CLAMP, choke cable | 1 | |

SUZUKI PARTS CATALOGUE

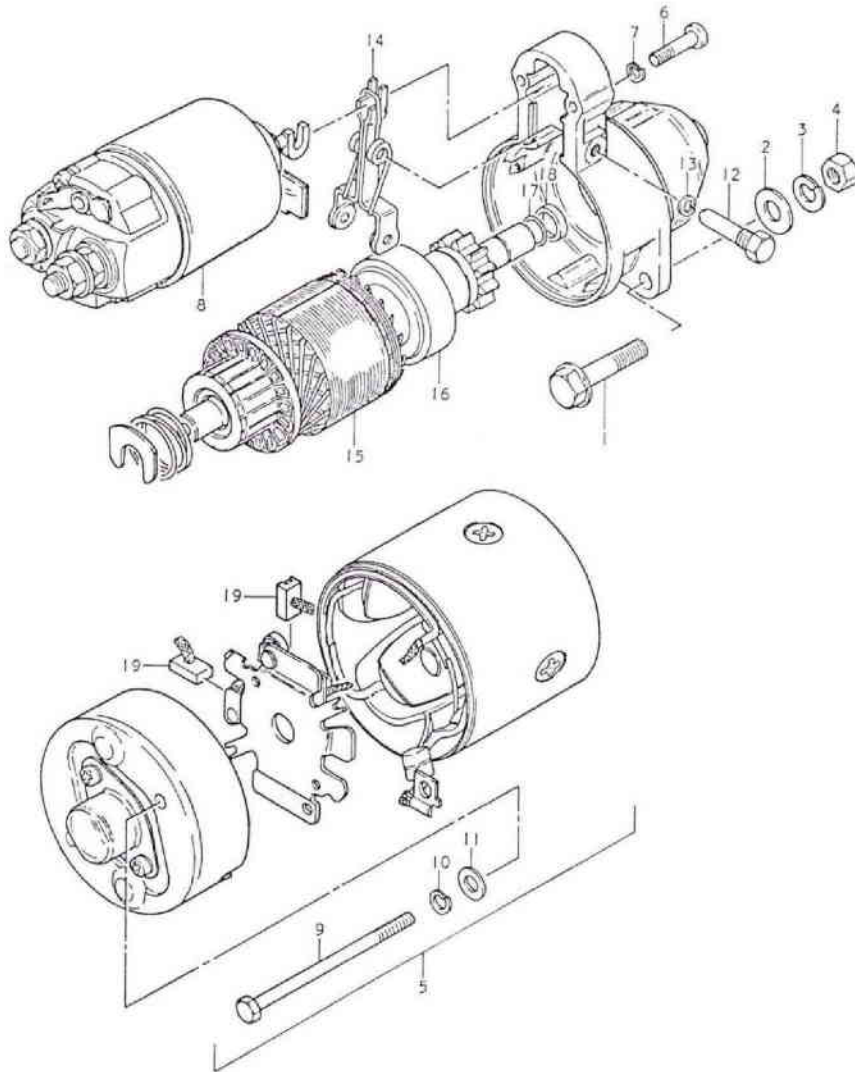


FIG. 28 STARTING MOTOR

| Ref. No. | Part No. | Description | Q'ty | Remarks |
|----------|-------------|----------------------|------|---------|
| 01 | 09103-08025 | BOLT | 2 | 8x115 |
| 02 | 08322-11088 | WASHER | 2 | |
| 03 | 08321-21088 | LOCK WASHER | 2 | |
| 04 | 08310-12088 | NUT | 2 | |
| 05 | 31100-76010 | MOTOR ASSY, starting | | |
| 06 | 31255-63210 | • SCREW | 2 | |
| 07 | 08321-21068 | • LOCK WASHER | 2 | |
| 08 | 31220-73010 | • SWITCH ASSY | 1 | |
| 09 | 31281-63210 | • BOLT, housing | 2 | |
| 10 | 08321-21058 | • LOCK WASHER | 2 | |
| 11 | 31263-55010 | • WASHER | 2 | |
| 12 | 31192-76010 | • PIN | 1 | |
| 13 | 08321-21068 | • LOCK WASHER | 1 | |
| 14 | 31191-56010 | • LEVER | 1 | |
| 15 | 31311-74010 | • ARMATURE, motor | 1 | |
| 16 | 31320-76010 | • CLUTCH ASSY | 1 | |
| 17 | 31312-55010 | • RING | 1 | |
| 18 | 31313-55010 | • STOP RING | 1 | |
| 19 | 31131-55011 | • BRUSH | 2 | |

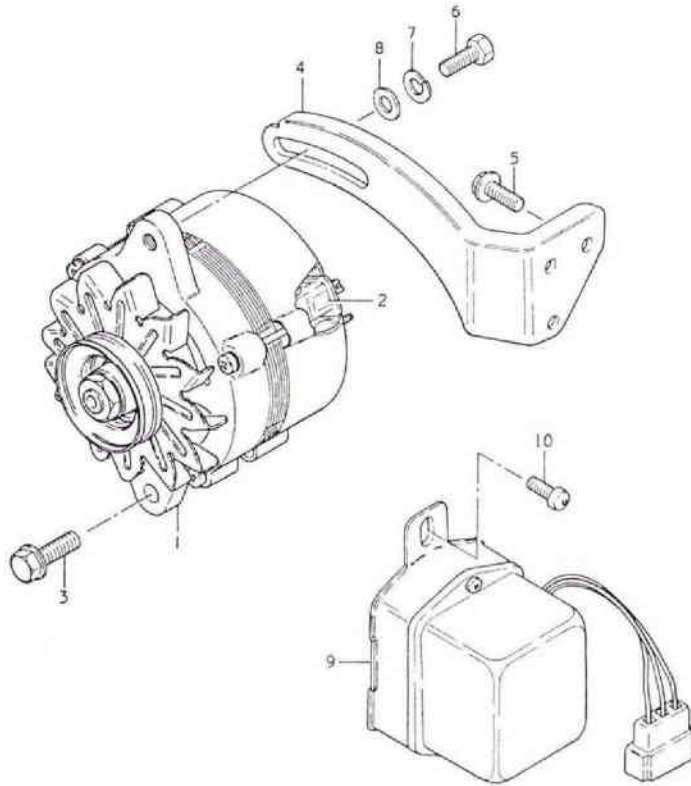


FIG. 29 GENERATOR

| Ref. No. | Part No. | Description | Q'ty | Remarks |
|----------|-------------|-------------------------|------|---------|
| 01 | 31400-75110 | GENERATOR ASSY | 1 | ND |
| 02 | 31600-65840 | • BRUSH HOLDER SET | 1 | ND |
| 03 | 01517-10308 | BOLT | 2 | |
| 04 | 17921-75100 | ARM, generator | 1 | |
| 05 | 01517-08208 | BOLT | 3 | |
| 06 | 01107-08208 | BOLT | 1 | |
| 07 | 08321-21088 | LOCK WASHER | 1 | |
| 08 | 09160-08030 | WASHER | 1 | |
| 09 | 32500-56010 | REGULATOR ASSY, voltage | 1 | ND |
| 10 | 02142-06088 | SCREW | 2 | |

SUZUKI PARTS CATALOGUE

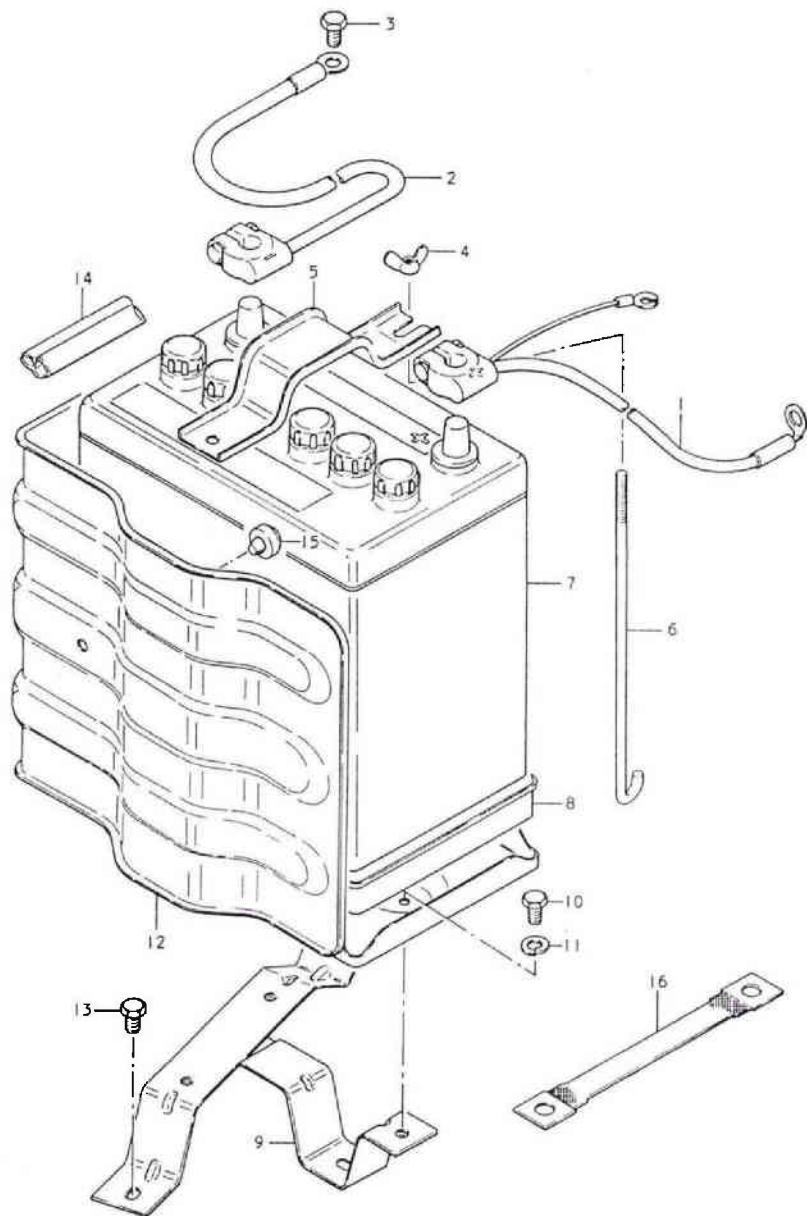


FIG. 30

BATTERY

| Ref. No. | Part No. | Description | Q'ty | Remarks |
|----------|-------------|----------------------------|------|----------------|
| 01-1 | 33810-75100 | CABLE, starting motor | 1 | RHD L: 3400 |
| 01-2 | 33810-75110 | CABLE, starting motor | 1 | LHD L: 3850 |
| 02 | 33850-75110 | CABLE, battery ground | 1 | L: 300 |
| 03 | 01107-06128 | BOLT | 1 | |
| 04 | 08317-11058 | NUT | 2 | |
| 05 | 72728-64003 | BAND, battery | 1 | |
| 06 | 63461-70400 | BOLT, battery | 2 | |
| 07 | 33610-73010 | BATTERY | 1 | 12V, 15AH |
| 08 | 33660-67000 | TRAY, battery | 1 | |
| 09-1 | 63430-75100 | BRACKET, battery | 1 | RHD |
| 09-2 | 63430-75110 | BRACKET, battery | 1 | LHD |
| 10 | 01107-06128 | BOLT | 3 | |
| 11 | 08321-21068 | LOCK WASHER | 3 | |
| 12-1 | 63440-75100 | VESSEL, battery | 1 | RHD |
| 12-2 | 63440-75110 | VESSEL, battery | 1 | LHD |
| 13 | 01107-06128 | BOLT | 3 | |
| 14 | 79811-70421 | PROTECTOR, water hose | 1 | L: 1100 -> 160 |
| 15 | 09321-05010 | CUSHION, battery insulator | 1 | |
| 16 | 33860-67650 | CABLE, engine ground | 1 | |

SUZUKI PARTS CATALOGUE

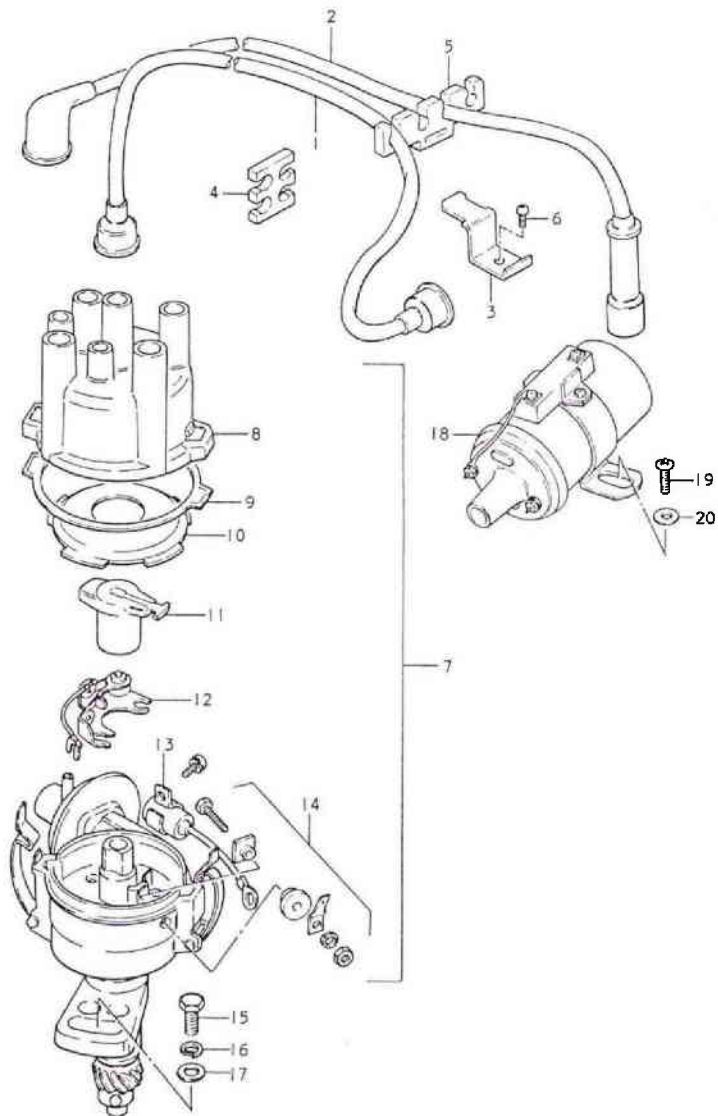


FIG. 31 IGNITION

| Ref. No. | Part No. | Description | Q'ty | Remarks |
|----------|-------------|------------------------------|------|----------|
| 01 | 33710-75110 | CORD, high tension (1) | 1 | L: 350 |
| 02 | 33730-75110 | CORD, high tension (2) | 4 | L: 580 |
| 03 | 33881-75100 | CLAMP, high tension cord (1) | 1 | |
| 04 | 33882-75100 | CLAMP, high tension cord (2) | 1 | |
| 05 | 33883-63200 | CLAMP, high tension cord (3) | 1 | |
| 06 | 02112-06088 | SCREW | 1 | |
| 07 | 33100-75110 | DISTRIBUTOR ASSY | 1 | |
| 08 | 33321-75110 | • CAP, distributor | 1 | |
| 09 | 33279-73010 | • COVER, dust proof | 1 | |
| 10 | 33324-73010 | • PACKING | 1 | |
| 11 | 33310-73010 | • ROTOR, distributor | 1 | |
| 12 | 33102-75110 | • BREAKER ASSY | 1 | |
| 13 | 33261-73010 | • CONDENSER | 1 | |
| 14 | 33210-73010 | • TERMINAL ASSY, distributor | 1 | |
| 15 | 01107-08308 | BOLT | 1 | |
| 16 | 08321-21088 | LOCK WASHER | 1 | |
| 17 | 08322-11088 | WASHER | 1 | |
| 18 | 33410-58012 | COIL ASSY, ignition | 1 | |
| 19 | 09128-06004 | SCREW | 2 | |
| 20 | 09160-06019 | WASHER | 2 | 6x16x1.2 |

SUZUKI PARTS CATALOGUE

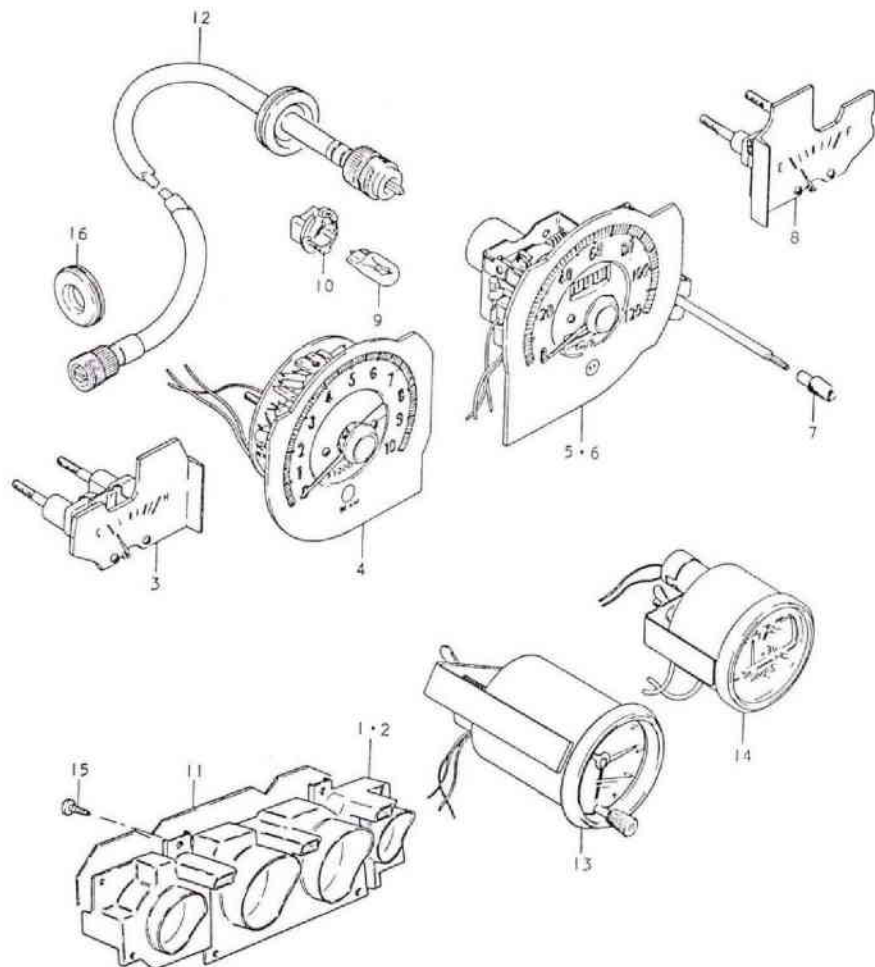


FIG. 32 SPEEDOMETER (CXG)

| Ref. No. | Part No. | Description | Q'ty | Remarks |
|----------|-------------|--------------------------------|------|-------------|
| 01 | 34100-75140 | SPEEDOMETER ASSY | 1 | Kilometer |
| 02 | 34100-75160 | SPEEDOMETER ASSY | 1 | Mile |
| 03 | 34420-75000 | • BODY ASSY, water temperature | 1 | |
| 04 | 34220-75100 | • BODY ASSY, tachometer | 1 | |
| 05 | 34120-75100 | • BODY ASSY, speedometer | 1 | Kilometer |
| 06 | 34120-75160 | • BODY ASSY, speedometer | 1 | Mile |
| 07 | 34141-64020 | • KNOB, trip counter | 1 | |
| 08 | 34320-75000 | • BODY ASSY, fuel meter | 1 | |
| 09 | 09471-12028 | • BULB | 10 | |
| 10 | 34173-70220 | • SOCKET, bulb | 10 | |
| 11 | 34152-75000 | • PLATE, meter print | 1 | |
| 12-1 | 34910-75000 | CABLE, speedometer | 1 | RHD L: 1640 |
| 12-2 | 34910-75100 | CABLE, speedometer | 1 | LHD L: 1640 |
| 13 | 34600-75000 | CLOCK ASSY | 1 | |
| 14 | 34500-66121 | AM-METER ASSY | 1 | |
| 15 | 03141-04168 | SCREW | 6 | |
| 16 | 09308-30001 | GROMMET, meter cable | 1 | |

SUZUKI PARTS CATALOGUE

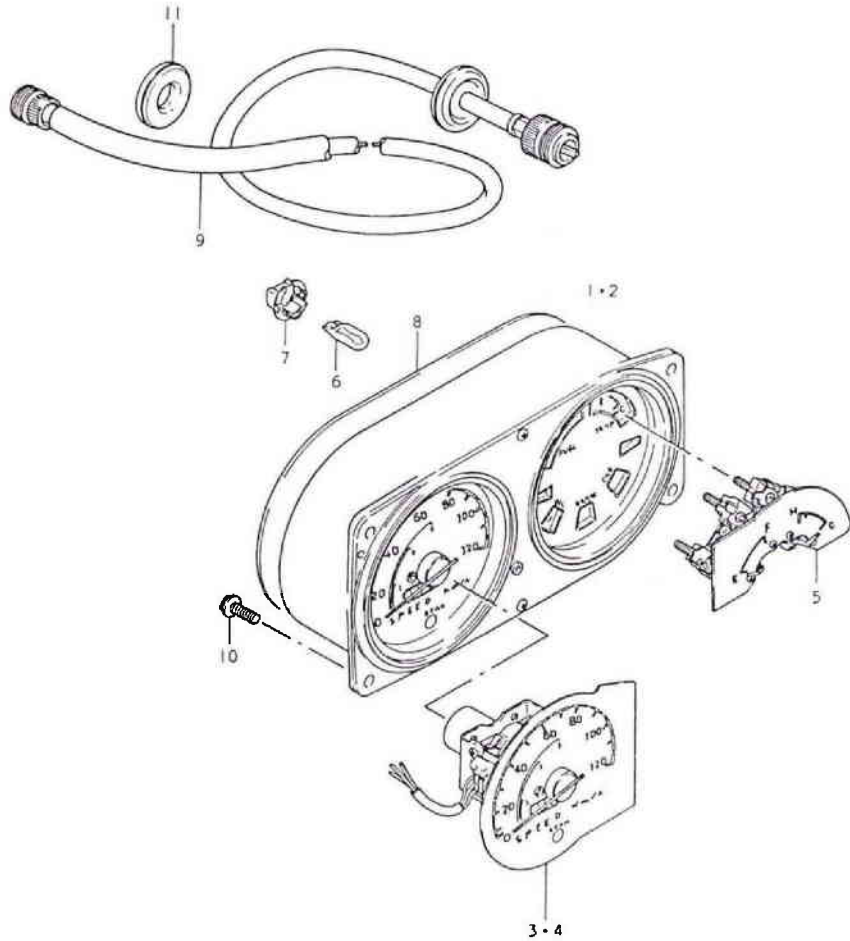


FIG. 33 SPEEDOMETER (CX)

| Ref. No. | Part No. | Description | Q'ty | Remarks |
|----------|-------------|-------------------------------------|------|-----------|
| 01 | 34100-75150 | SPEEDOMETER ASSY | 1 | Kilometer |
| 02 | 34100-75170 | SPEEDOMETER ASSY | 1 | Mile |
| 03 | 34120-75150 | • BODY ASSY, speedometer | 1 | Kilometer |
| 04 | 34120-75170 | • BODY ASSY, speedometer | 1 | Mile |
| 05 | 34420-65020 | • BODY ASSY, fuel/water temperature | 1 | |
| 06 | 09471-12028 | • BULB | 8 | |
| 07 | 34173-70220 | • SOCKET, bulb | 8 | |
| 08 | 34152-64025 | • PLATE, meter print | 1 | |
| 09 | 34910-71330 | CABLE ASSY, speedometer | 1 | L: 1390 |
| 10 | 03141-04168 | SCREW | 4 | |
| 11 | 09308-30001 | GROMMET, meter cable | 1 | |

SUZUKI PARTS CATALOGUE

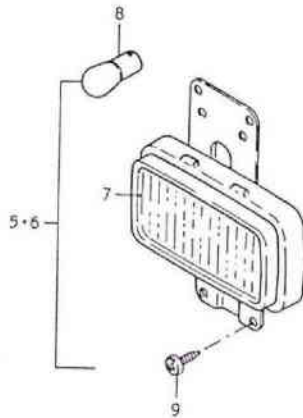
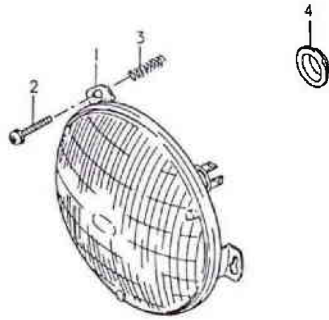


FIG. 34 HEADLAMP

| Ref. No. | Part No. | Description | Q'ty | Remarks |
|----------|-------------|----------------------|------|--------------------|
| 01-1 | 35121-67020 | LAMP UNIT | 2 | RHD STANLEY |
| 01-2 | 35121-64601 | LAMP UNIT | 2 | LHD STANLEY |
| 02 | 35151-67020 | SCREW, adjuster | 6 | STANLEY |
| 03 | 35154-67020 | SPRING, adjuster | 6 | STANLEY |
| 04 | 36678-70000 | PROTECTOR, read wire | 2 | |
| 05 | 35501-75000 | LAMP ASSY, fog RH | 1 | |
| 06 | 35502-75000 | LAMP ASSY, fog LH | 1 | |
| 07 | 35514-65110 | • LENS | 2 | |
| 08 | 09471-12039 | • BULB | 2 | 12V, 23W (A4577AY) |
| 09 | 03141-05168 | SCREW | 8 | |

SUZUKI PARTS CATALOGUE

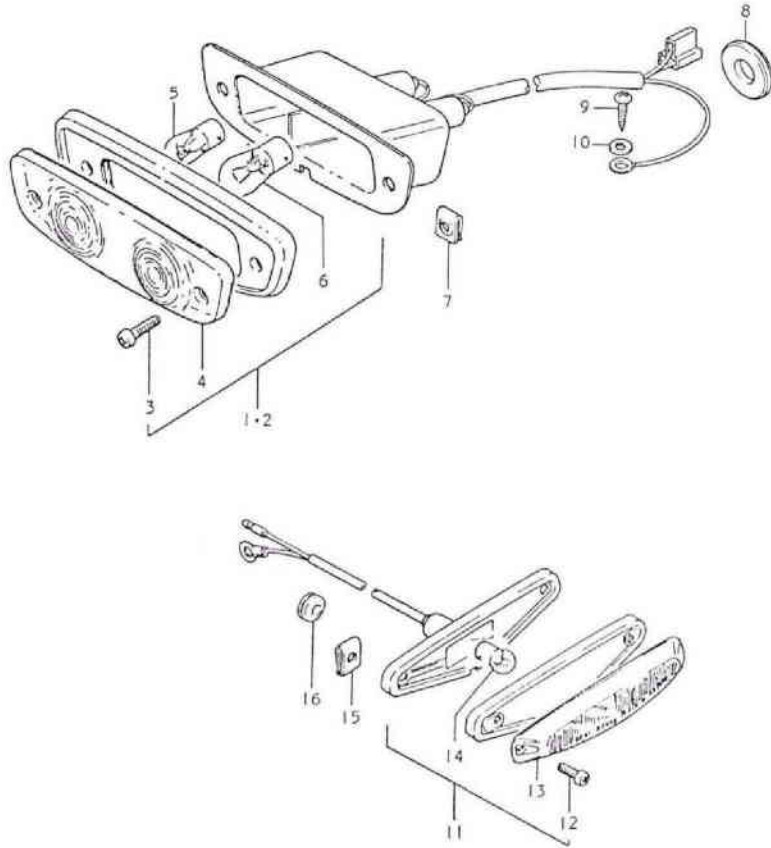


FIG. 35 FRONT LAMPS

| Ref. No. | Part No. | Description | Qty | Remarks |
|----------|-------------|---------------------------------|-----|------------------------|
| 01 | 35601-75000 | LAMP ASSY, front turn signal RH | 1 | |
| 02 | 35602-75000 | LAMP ASSY, front turn signal LH | 1 | |
| 03 | 35665-60010 | • SCREW | 4 | |
| 04 | 35612-69010 | • LENS | 2 | |
| 05 | 09471-12058 | • BULB | 2 | 12V, 5W (FB004-41740A) |
| 06 | 09471-12056 | • BULB | 2 | 12V, 21W (A4575B) |
| 07 | 09148-04015 | NUT | 4 | |
| 08 | 09308-14006 | GROMMET, front turn signal | 2 | |
| 09 | 03111-05128 | SCREW | 2 | |
| 10 | 08322-21058 | WASHER | 2 | |
| 11 | 36410-66010 | LAMP ASSY, side turn signal | 2 | |
| 12 | 36425-60010 | • SCREW | 4 | |
| 13 | 36412-64010 | • LENS | 2 | |
| 14 | 09471-12007 | • BULB | 2 | 12V, 6W (A524) |
| 15 | 09418-04011 | NUT | 4 | |
| 16 | 09308-05011 | GROMMET | 2 | |

SUZUKI PARTS CATALOGUE

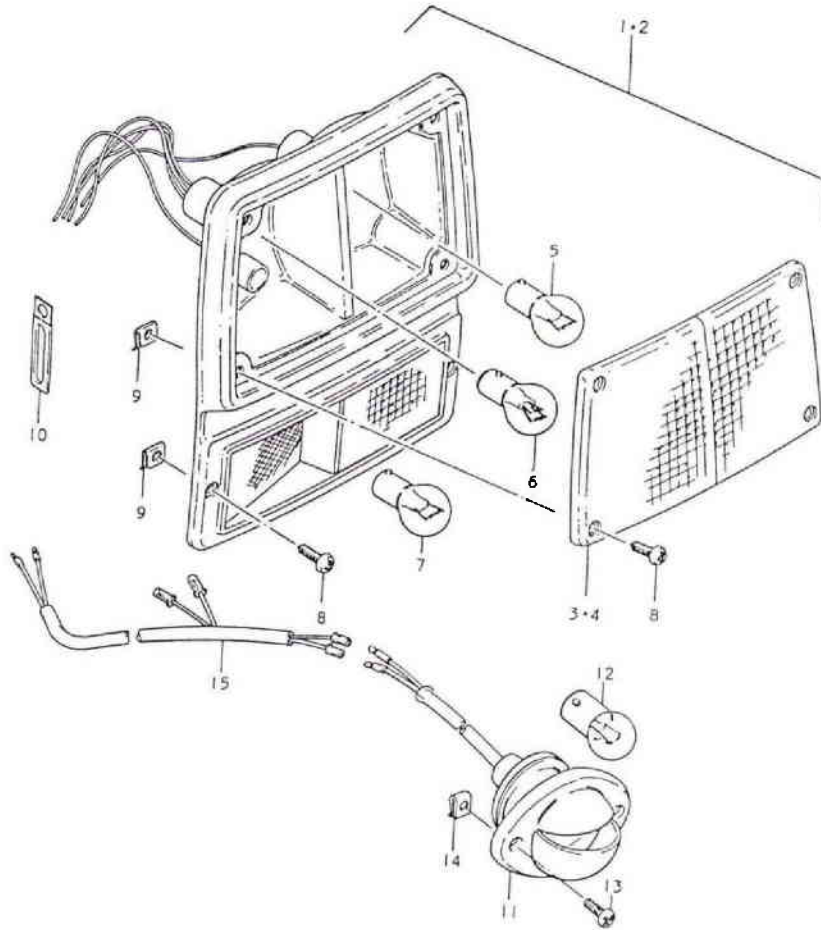


FIG. 36 REAR LAMP

| Ref. No. | Part No. | Description | Q'ty | Remarks |
|----------|-------------|-----------------------------------|------|---------------------|
| 01 | 35603-75000 | LAMP ASSY, rear combination RH | 1 | |
| 02 | 35604-75000 | LAMP ASSY, rear combination LH | 1 | |
| 03 | 35652-66010 | • LENS, lamp RH | 1 | |
| 04 | 35672-66010 | • LENS, lamp LH | 1 | |
| 05 | 09471-12056 | • BULB, turn signal | 2 | 12V, 21W (A4575B) |
| 06 | 09471-12057 | • BULB, tail/stop lamp | 2 | 12V, 21/5W (A4875B) |
| 07 | 09471-12056 | • BULB, back up | 2 | 12V, 21W (A4575B) |
| 08 | 35665-60010 | • SCREW | 12 | |
| 09 | 09148-04011 | NUT | 12 | |
| 10 | 09404-06402 | CLAMP, combination lamp lead wire | 2 | |
| 11 | 35910-75000 | LAMP ASSY, license | 2 | |
| 12 | 09471-12003 | • BULB | 2 | 12V, 10W (A4125) |
| 13 | 35923-58011 | • SCREW | 4 | |
| 14 | 09148-04011 | NUT | 4 | |
| 15 | 36840-75001 | LEAD WIRE, license lamp | 1 | |

SUZUKI PARTS CATALOGUE

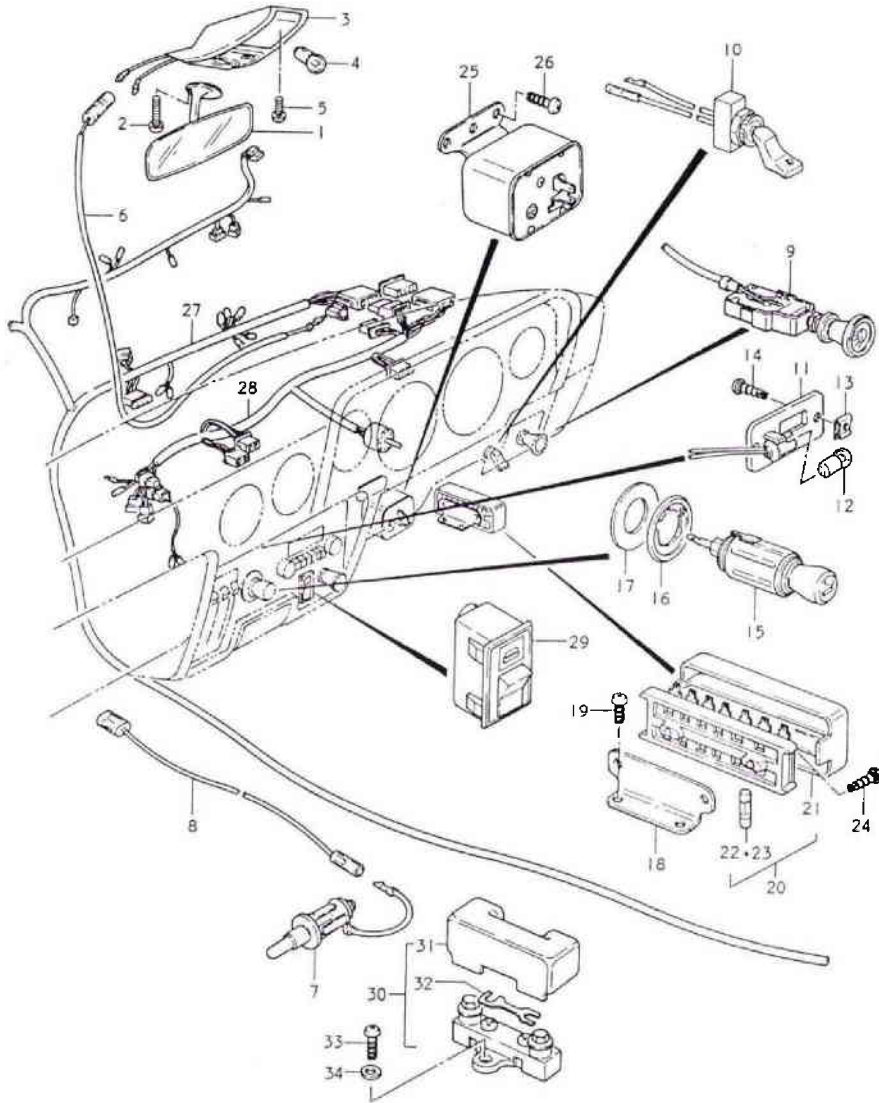


FIG. 37 WIRING HARNESS - SWITCH

| Ref. No. | Part No. | Description | Q'ty | Remarks |
|----------|-------------|--------------------------------|------|------------------|
| 01 | 86103-66031 | MIRROR ASSY, rear view inside | 1 | |
| 02 | 02122-05128 | SCREW | 2 | |
| 03 | 36210-66210 | LAMP ASSY, room | 1 | |
| 04 | 09471-12007 | • BULB | 1 | 12V, 6W (A524) |
| 05 | 02142-05107 | SCREW | 1 | |
| 06 | 36820-66000 | LEAD WIRE, room lamp | 1 | |
| 07 | 37670-69010 | SWITCH ASSY, door | 1 | |
| 08 | 36850-68100 | LEAD WIRE, door switch | 1 | |
| 09 | 37210-75000 | SWITCH ASSY, lighting | 1 | |
| 10 | 37270-65110 | SWITCH ASSY, fog | 1 | |
| 11 | 36550-75000 | LAMP ASSY, illumination | 1 | |
| 12 | 09471-12001 | • BULB | 1 | 12V, 3.4W (A72L) |
| 13 | 09148-04015 | NUT | 2 | |
| 14 | 09132-04010 | SCREW | 2 | 4x12 |
| 15 | 39400-75000 | LIGHTER ASSY, cigarette | 1 | |
| 16 | 39471-69000 | RIM, lighter switch | 1 | CXG |
| 17 | 09160-23007 | WASHER | 1 | CXG |
| 18 | 36791-70001 | BRACKET, fuse box | 1 | |
| 19 | 03211-05128 | SCREW | 2 | |
| 20 | 36710-66020 | FUSE BOX ASSY | 1 | |
| 21 | 36717-66020 | • COVER, fuse box | 1 | |
| 22 | 09481-10001 | • FUSE 10A | 4 | |
| 23 | 09481-15001 | FUSE 15A | 4 | |
| 24 | 03211-05165 | • SCREW | 2 | |
| 25 | 38610-75000 | RELAY ASSY, turn signal / 4way | 1 | |
| 26 | 03111-05128 | SCREW | 2 | |
| 27-1 | 36610-75101 | WIRING HARNESS (1) | 1 | RHD |
| 27-2 | 36610-75112 | WIRING HARNESS (1) | 1 | LHD |
| 28-1 | 36620-75000 | WIRING HARNESS (2) | 1 | CXG RHD |
| 28-2 | 36620-71512 | WIRING HARNESS (2) | 1 | CX RHD |
| 28-3 | 36620-75111 | WIRING HARNESS (2) | 1 | CXG LHD |
| 28-4 | 36620-75131 | WIRING HARNESS (2) | 1 | CX LHD |
| 29 | 37860-75000 | SWITCH ASSY, defogger | 1 | CXG |
| 30 | 36740-71310 | FUSE CASE ASSY | 1 | |
| 31 | 36742-71310 | • COVER, fuse case | 1 | |
| 32 | 09481-30001 | • FUSE 20A | 2 | |
| 33 | 03111-05168 | SCREW | 1 | |
| 34 | 08322-21058 | WASHER | 1 | |

SUZUKI PARTS CATALOGUE

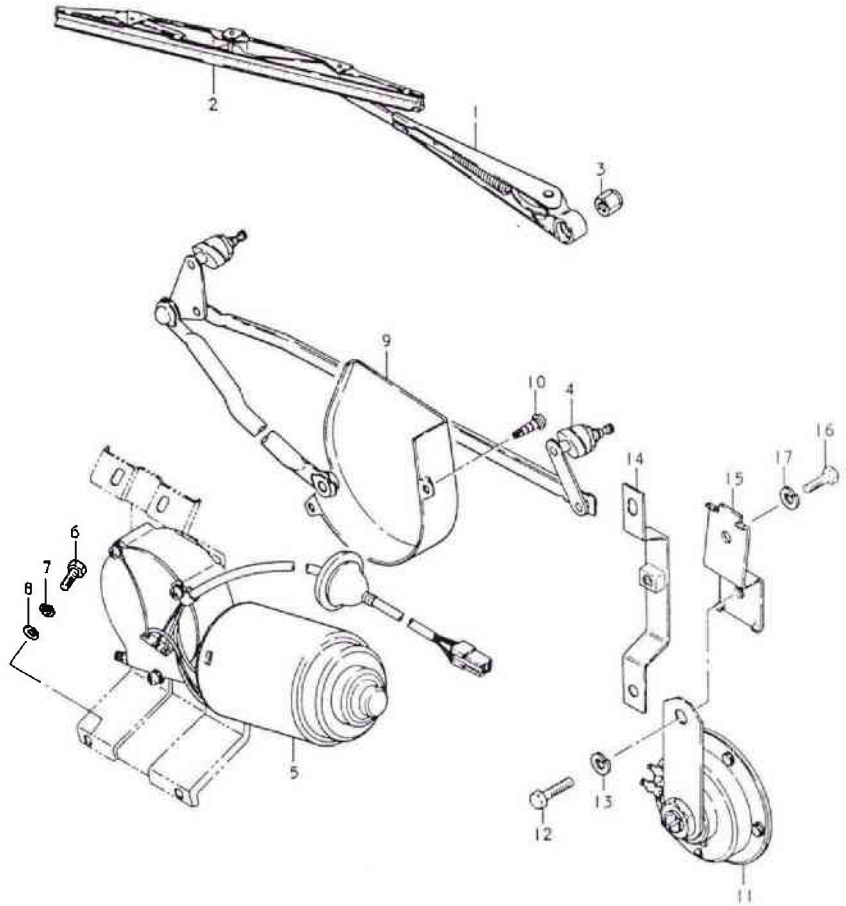


FIG. 38 WIPER - HORN

| Ref. No. | Part No. | Description | Q'ty | Remarks |
|----------|-------------|--------------------------|------|---------|
| 01-1 | 38301-75000 | ARM ASSY, wiper | 2 | RHD |
| 01-2 | 38301-75110 | ARM ASSY, wiper | 2 | LHD |
| 02 | 38341-75000 | • BLADE, wiper | 2 | L: 380 |
| 03 | 38279-66011 | NUT | 2 | ND |
| 04 | 38102-75000 | LINK ASSY, wiper | 1 | ND |
| 05-1 | 38101-75000 | MOTOR ASSY, wiper | 1 | ND RHD |
| 05-2 | 38101-75110 | MOTOR ASSY, wiper | 1 | ND LHD |
| 06 | 01107-06128 | BOLT | 4 | |
| 07 | 08321-21068 | LOCK WASHER | 4 | |
| 08 | 08322-21068 | WASHER | 4 | |
| 09 | 38281-66001 | COVER, wiper motor | 1 | |
| 10 | 03111-05128 | SCREW | 2 | |
| 11 | 38500-67010 | HORN ASSY | 1 | |
| 12 | 01107-08128 | BOLT | 2 | |
| 13 | 08321-21088 | LOCK WASHER | 2 | |
| 14 | 63471-75100 | BRACKET, horn | 1 | |
| 15 | 63472-75100 | ATTACHMENT, horn bracket | 1 | |
| 16 | 01107-08128 | BOLT | 1 | |
| 17 | 08321-21088 | LOCK WASHER | 1 | |

SUZUKI PARTS CATALOGUE

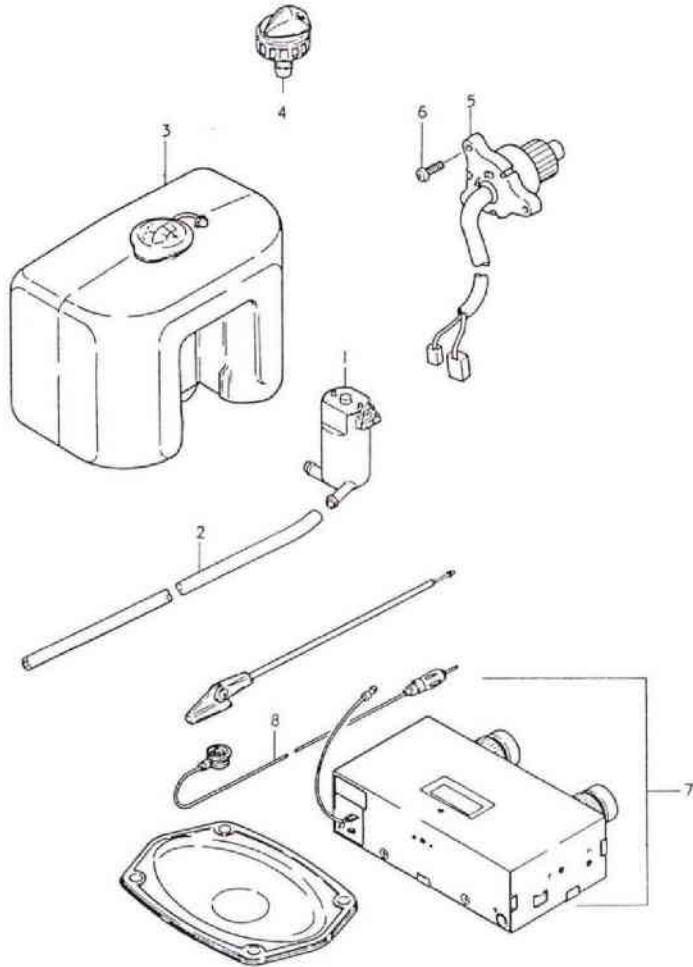


FIG. 39 WASHER - RADIO

| Ref. No. | Part No. | Description | Q'ty | Remarks |
|----------|-------------|-----------------------------|------|-------------|
| 01 | 38410-66112 | MOTOR ASSY, window washer | 1 | ND |
| 02 | 38491-75000 | HOSE | 1 | ND L: 1200 |
| 03 | 38450-75000 | TANK ASSY, window washer | 1 | ND |
| 04 | 38480-75001 | NOZZLE, window washer | 1 | ND |
| 05 | 37310-71311 | SWITCH ASSY, wiper / washer | 1 | ND |
| 06 | 03211-05128 | SCREW | 3 | |
| 07 | 39100-75011 | RADIO ASSY | 1 | CXG CLARION |
| 08 | 39271-75010 | FEEDER, antenna | 1 | CLARION |

SUZUKI PARTS CATALOGUE

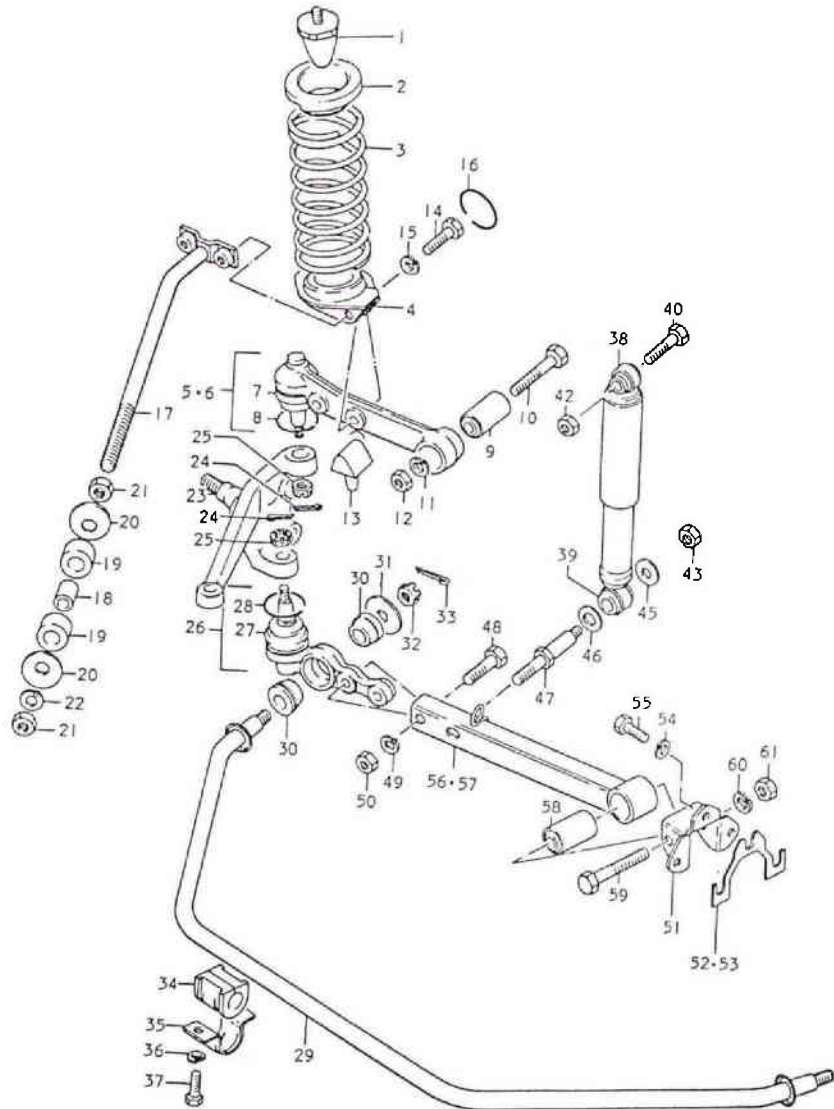


FIG. 40 FRONT SUSPENSION

| Ref. No. | Part No. | Description | Q'ty | Remarks |
|----------|-------------|--------------------------|------|-----------|
| 01 | 42110-58040 | BUMPER, front spring | 2 | |
| 02 | 41211-64030 | SEAT, front spring upper | 2 | |
| 03 | 41111-75130 | SPRING, front coil | 2 | |
| 04 | 41220-64000 | SEAT, front spring lower | 2 | |
| 05 | 45210-70400 | ARM, front upper RH | 1 | |
| 06 | 45230-70400 | ARM, front upper LH | 1 | |
| 07 | 45721-67010 | • DUST SEAL | 2 | |
| 08 | 09460-01019 | • WIRE | 2 | |
| 09 | 09319-10004 | BUSH, suspension arm | 2 | |
| 10 | 09100-10095 | BOLT | 2 | 10x67 |
| 11 | 08321-31108 | LOCK WASHER | 2 | |
| 12 | 09159-10018 | LOCK NUT | 2 | |
| 13 | 42121-70050 | STOPPER, spring rebound | 2 | |
| 14 | 09102-10003 | BOLT | 4 | 10x36 |
| 15 | 08321-31108 | LOCK WASHER | 4 | |
| 16 | 09460-01019 | WIRE | 2 | |
| 17 | 45310-64000 | BAR, front strut | 2 | |
| 18 | 09180-12017 | SPACER, strut bar | 2 | 12x17x38 |
| 19 | 09305-17001 | BUSH, strut bar | 4 | |
| 20 | 09164-12002 | WASHER, strut bar | 4 | 12x44x2.3 |
| 21 | 08310-12128 | NUT | 4 | |
| 22 | 09162-12004 | LOCK WASHER | 4 | |
| 23-1 | 45111-75100 | KNUCKLE, steering RH | 1 | |
| 23-2 | 45151-75100 | KNUCKLE, steering LH | 1 | |
| 24 | 04111-25208 | COTTER PIN | 4 | |
| 25 | 09141-10003 | CASTLE NUT | 4 | |
| 26 | 45700-70400 | BALL JOINT, lower | 2 | |
| 27 | 45721-67010 | • DUST SEAL | 2 | |
| 28 | 09460-01019 | • WIRE | 2 | |
| 29 | 42310-75020 | BAR, stabilizer | 1 | |

SUZUKI PARTS CATALOGUE

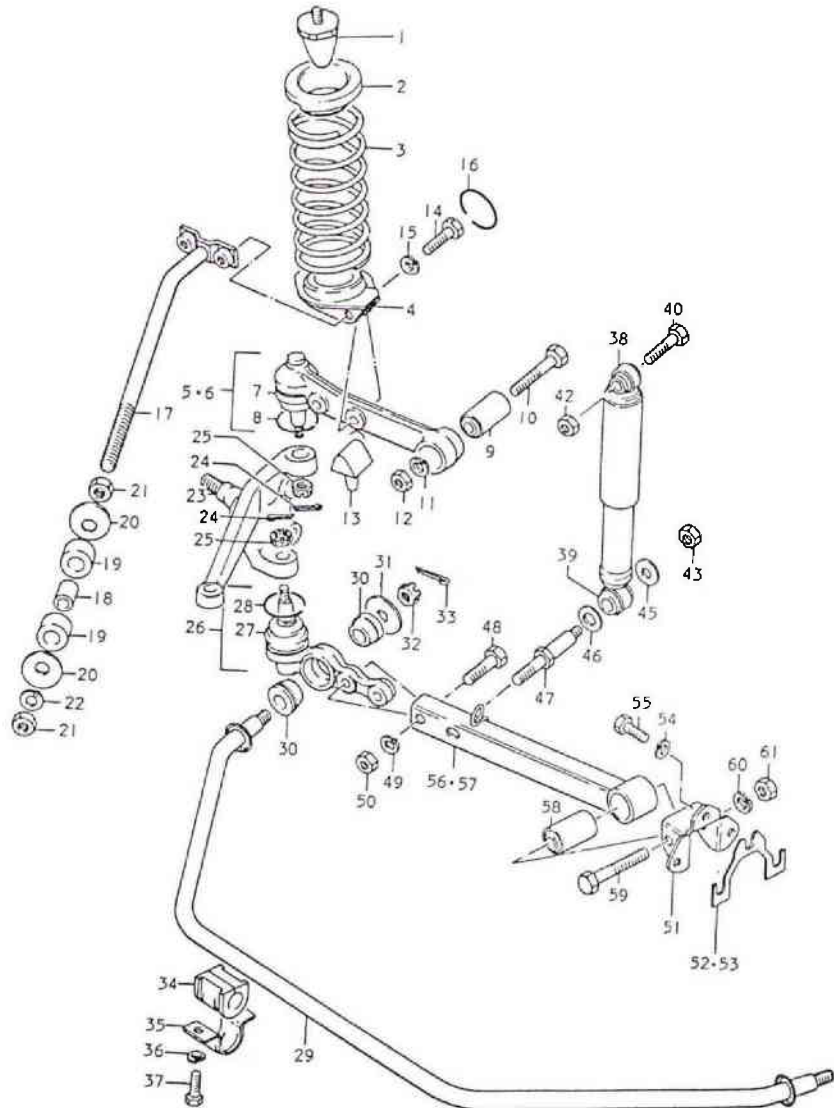


FIG. 40 FRONT SUSPENSION

| Ref. No. | Part No. | Description | Q'ty | Remarks |
|----------|-------------|-------------------------------|----------|-------------|
| 30 | 42351-66040 | BUSH | 4 | |
| 31 | 09160-12027 | WASHER | 2 | 12.1x43x2.3 |
| 32 | 09141-12001 | CASTLE NUT | 2 | |
| 33 | 04111-30308 | COTTER PIN | 2 | |
| 34 | 42331-66041 | BUSH, stabilizer bar mount | 2 | |
| 35 | 42341-58000 | BRACKET, stabilizer bar mount | 2 | |
| 36 | 08321-21088 | LOCK WASHER | 4 | |
| 37 | 01107-08258 | BOLT | 4 | |
| 38 | 41600-58410 | SHOCK ABSORBER ASSY, front | 2 | |
| 39 | 41681-58010 | BUSH, lower | 2 | |
| 40 | 01107-10408 | BOLT | 2 | |
| 41 | 08310-12108 | NUT | 2 | |
| 42 | 08310-12088 | NUT | 2 | |
| 43 | 09164-08004 | WASHER, lower (1) | 2 | 8.2x26x1.6 |
| 44 | 09164-12007 | WASHER, lower (2) | 2 | 12.5x26x1.6 |
| 45 | 41831-70000 | BOLT, shock absorber lower | 2 | |
| 46 | 09100-10096 | BOLT | 2 | 10x45 |
| 47 | 08321-31108 | WASHER | 4 | |
| 48 | 09159-10018 | LOCK NUT | 4 | |
| 49 | 45442-64000 | BRACKET, lower arm | 2 | |
| 50 | 45443-64000 | SHIM, camber (1) | AR (0~8) | T: 2.3 |
| 51 | 45444-64000 | SHIM, camber (2) | AR (0~2) | T: 1.0 |
| 52 | 08321-31088 | LOCK WASHER | 6 | |
| 53 | 09100-08081 | BOLT | 6 | |
| 54 | 45250-64700 | ARM, lower RH | 1 | |
| 55 | 45270-64700 | ARM, lower LH | 1 | |
| 56 | 09319-10004 | BUSH, suspension arm | 2 | |
| 57 | 09100-10095 | BOLT | 2 | 10x67 |
| 58 | 08321-31108 | LOCK WASHER | 2 | |
| 59 | 09159-10018 | LOCK NUT | 2 | |

SUZUKI PARTS CATALOGUE

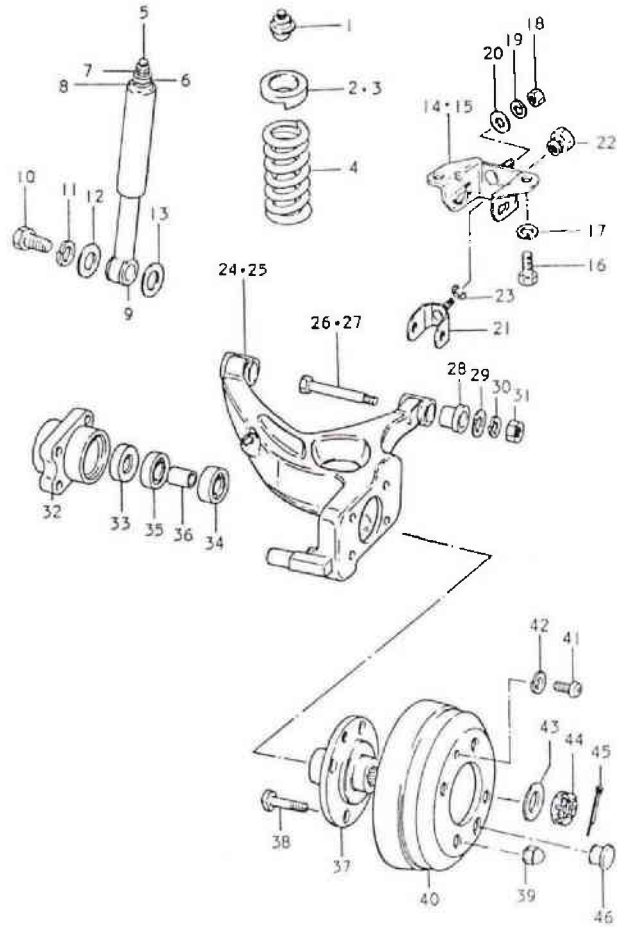


FIG. 41 REAR SUSPENSION

| Ref. No. | Part No. | Description | Q'ty | Remarks |
|----------|-------------|-------------------------------|------|----------|
| 01 | 42150-70040 | BUMPER, rear spring | 2 | |
| 02 | 41321-70030 | SEAT, rear spring RH | 1 | |
| 03 | 41331-70020 | SEAT, rear spring LH | 1 | |
| 04 | 41311-75130 | COIL SPRING, rear | 2 | |
| 05 | 41700-70240 | SHOCK ABSORBER, rear | 2 | |
| 06 | 41792-51110 | • BUSH, shock absorber rubber | 4 | |
| 07 | 41794-51110 | • WASHER, shock absorber (1) | 4 | |
| 08 | 41793-51110 | • WASHER, shock absorber (2) | 2 | |
| 09 | 41781-52010 | • BUSH, lower BOLT | 4 | |
| 10 | 01107-10208 | BOLT | 2 | |
| 11 | 08321-31128 | LOCK WASHER | 2 | |
| 12 | 09164-10004 | WASHER (1) | 2 | ID: 10 |
| 13 | 09164-17001 | WASHER (2) | 2 | ID: 7 |
| 14 | 46410-70000 | BRACKET, suspension arm RH | 1 | |
| 15 | 46420-70000 | BRACKET, suspension arm LH | 1 | |
| 16 | 01107-10358 | BOLT | 4 | |
| 17 | 08321-31108 | LOCK WASHER | 4 | |
| 18 | 08310-12108 | NUT | 2 | |
| 19 | 08321-31108 | LOCK WASHER | 2 | |
| 20 | 09160-10001 | WASHER | 2 | |
| 21 | 46430-70000 | BRACKET, toe-in adjust | 2 | |
| 22 | 46441-70000 | NUT, toe-in adjust | 2 | |
| 23 | 08332-11108 | E-RING | 2 | |
| 24 | 46201-75100 | ARM, rear suspension RH | 1 | |
| 25 | 46202-75100 | ARM, rear suspension LH | 1 | |
| 26 | 09100-10094 | BOLT, inner | 2 | 10x84 |
| 27 | 09100-10098 | BOLT, outer | 2 | 10x90 |
| 28 | 09319-10020 | BUSH, suspension arm | 4 | |
| 29 | 09160-10043 | WASHER, suspension outer | 4 | |
| 30 | 08321-31108 | LOCK WASHER | 4 | |
| 31 | 09159-10018 | LOCK NUT | 4 | |
| 32 | 43451-58000 | HOUSING, rear wheel bearing | 2 | |
| 33 | 09283-35005 | OIL SEAL, rear wheel bearing | 2 | |
| 34 | 08123-62050 | BEARING, outer | 2 | |
| 35 | 09262-25041 | BEARING, inner | 2 | |
| 36 | 09180-25010 | SPACER, bearing | 2 | 25x32x30 |
| 37 | 43541-66300 | HUB, rear wheel | 2 | OD: 130 |
| 38 | 09119-10004 | BOLT, rear hub | 8 | 10 Ø |
| 39 | 09159-10012 | NUT | 8 | |
| 40 | 43551-66300 | DRUM, rear brake | 2 | |
| 41 | 02112-06168 | SCREW | 2 | |
| 42 | 08321-21068 | LOCK WASHER | 2 | |
| 43 | 08322-21188 | WASHER | 2 | |
| 44 | 09141-18001 | CASTLE NUT | 2 | 18 screw |
| 45 | 04111-40308 | COTTER PIN | 2 | |
| 46 | 09250-15001 | CAP, brake adjust hole | 2 | |

SUZUKI PARTS CATALOGUE

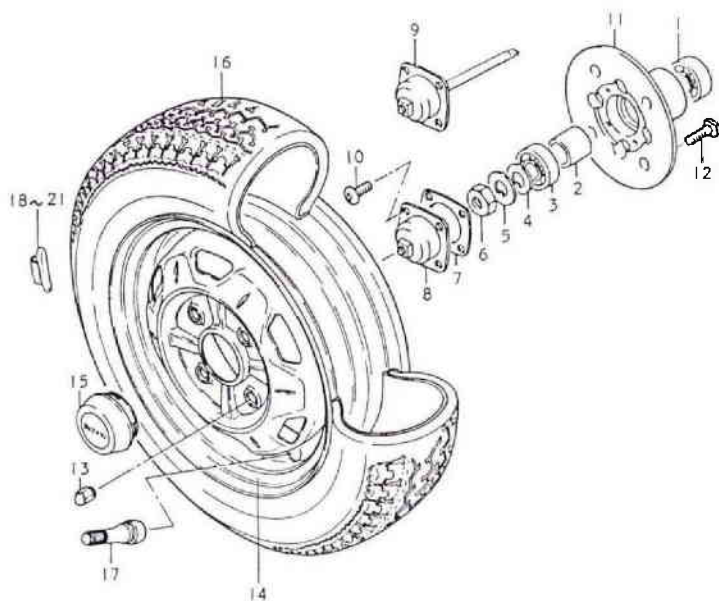


FIG. 42 FRONT WHEEL - TYRE

| Ref. No. | Part No. | Description | Q'ty | Remarks |
|----------|-------------|------------------------------|----------|-------------|
| 01 | 08123-62050 | BEARING, inner | 2 | 25x52x15 |
| 02 | 09180-21001 | SPACER, bearing | 2 | |
| 03 | 09262-20048 | BEARING, outer | 2 | 20x47x14 |
| 04 | 09169-18002 | WASHER, steering knuckle (1) | 2 | |
| 05 | 09169-18003 | WASHER, steering knuckle (2) | 2 | |
| 06 | 09140-18003 | NUT, steering knuckle | 2 | |
| 07 | 43446-66300 | GASKET, knuckle cap | 2 | |
| 08 | 43310-66300 | CAP, steering knuckle RH | 1 | |
| 09 | 43320-66300 | CAP, steering knuckle LH | 1 | |
| 10 | 02112-05088 | SCREW | 8 | |
| 11 | 43521-66300 | HUB, front wheel | 2 | |
| 12 | 09119-10011 | BOLT, wheel | 8 | |
| 13 | 09159-10012 | NUT, wheel | 8 | |
| 14 | 43210-75130 | WHEEL | 5 | 4Jx12 |
| 15 | 43250-75710 | CAP, wheel | 4 | |
| 16 | 43110-75150 | TIRE | 5 | 145/70 SR12 |
| 17 | 43130-75150 | VALVE, air | 5 | TR413 |
| 18 | 43231-66330 | WEIGHT, balancing (1) 10g | AR (0~5) | |
| 19 | 43232-66330 | WEIGHT, balancing (2) 20g | AR (0~5) | |
| 20 | 43233-66330 | WEIGHT, balancing (3) 30g | AR (0~5) | |
| 21 | 43234-66330 | WEIGHT, balancing (4) 40g | AR (0~5) | |

SUZUKI PARTS CATALOGUE

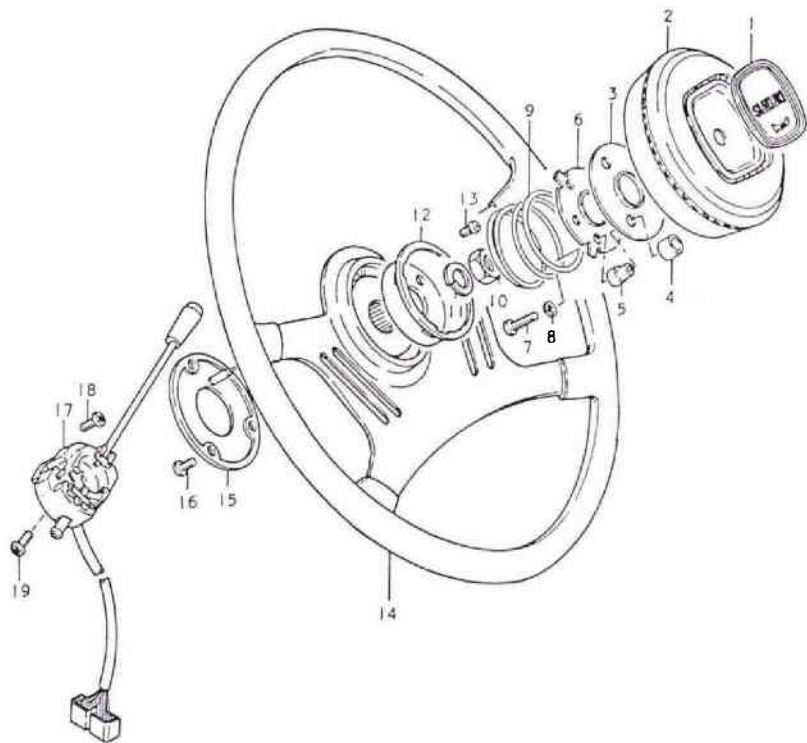


FIG. 43 STEERING WHEEL

| Ref. No. | Part No. | Description | Q'ty | Remarks |
|----------|-------------|---------------------------------|------|---------|
| 01 | 48131-74001 | EMBLEM, horn pad | 1 | |
| 02 | 48120-75001 | PAD, horn | 1 | |
| 03 | 48143-60000 | PLATE, horn contact | 1 | |
| 04 | 48145-60000 | RUBBER, horn contact cushion | 3 | |
| 05 | 48144-60000 | INSULATOR, contact plate | 3 | |
| 06 | 48142-60000 | PLATE, horn button set | 1 | |
| 07 | 09131-03004 | SCREW | 3 | 3x20 |
| 08 | 08321-21038 | LOCK WASHER | 3 | |
| 09 | 48151-70001 | SPRING, horn button | 1 | |
| 10 | 08310-22128 | NUT | 1 | |
| 11 | 09162-12004 | LOCK WASHER | 1 | |
| 12 | 48141-60030 | CUP, contact | 1 | |
| 13 | 02112-03068 | SCREW | 2 | |
| 14 | 48111-75010 | WHEEL, steering | 1 | |
| 15 | 48152-60031 | SLIP RING, horn button | 1 | |
| 16 | 09131-03005 | SCREW | 3 | |
| 17-1 | 37400-75111 | SWITCH ASSY, turn signal/dimmer | 1 | RHD |
| 17-2 | 37400-73000 | SWITCH ASSY, turn signal/dimmer | 1 | LHD |
| 18 | 09132-04013 | SCREW | 1 | 4x10 |
| 19 | 03141-04088 | SCREW | 1 | 4x8 |

SUZUKI PARTS CATALOGUE

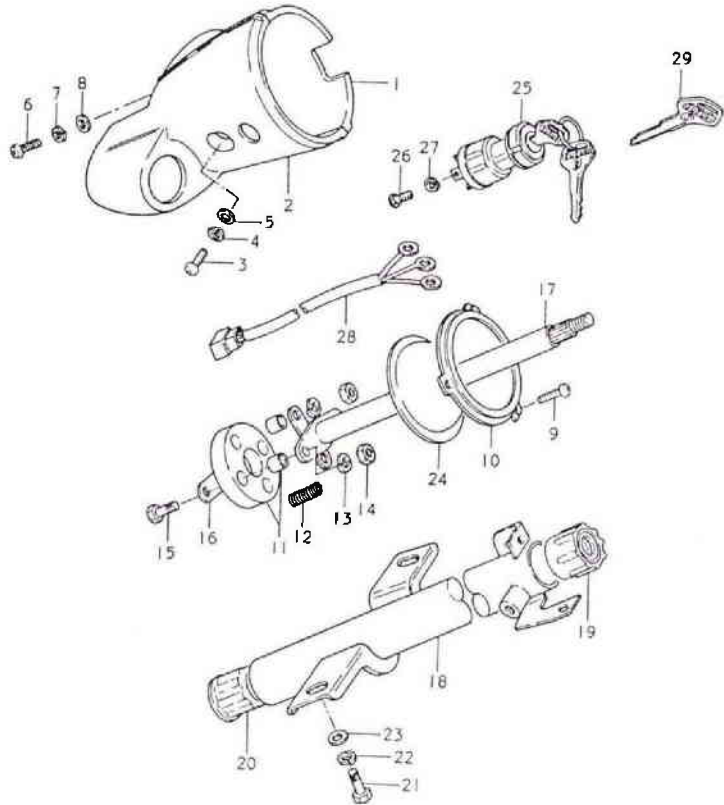


FIG. 44 STEERING COLUMN

| Ref. No. | Part No. | Description | Q'ty | Remarks |
|----------|-------------|---------------------------------|------|---------|
| 01-1 | 48410-70081 | COVER, steering RH | 1 | RHD |
| 01-2 | 48410-75120 | COVER, steering RH | 1 | LHD |
| 02-1 | 48420-70081 | COVER, steering LH | 1 | |
| 02-2 | 48420-75120 | COVER, steering LH | 1 | |
| 03 | 02112-05128 | SCREW | 1 | |
| 04 | 08321-21058 | LOCK WASHER | 1 | |
| 05 | 08322-21058 | WASHER | 1 | |
| 06 | 02112-04128 | SCREW | 2 | |
| 07 | 08321-21048 | LOCK WASHER | 2 | |
| 08 | 08322-22048 | WASHER | 2 | |
| 09 | 02112-05088 | SCREW | 3 | |
| 10 | 48452-64000 | COVER, steering shaft seal | 1 | |
| 11 | 48250-70810 | JOINT SET, steering rubber | 1 | |
| 12 | 09440-18002 | SPRING, steering horn earth | 1 | |
| 13 | 08321-21088 | LOCK WASHER | 4 | |
| 14 | 08310-12088 | NUT | 4 | |
| 15 | 01107-08258 | BOLT | 2 | |
| 16 | 48262-58000 | PLATE, steering joint | 2 | |
| 17 | 48210-75100 | SHAFT COMP, steering | 1 | |
| 18-1 | 48310-75100 | COLUMN COMP, steering | 1 | RHD |
| 18-2 | 48310-75110 | COLUMN COMP, steering | 1 | LHD |
| 19 | 48381-51040 | BUSH, steering column upper | 1 | |
| 20 | 48382-66040 | BUSH, steering column lower | 1 | |
| 21-1 | 01107-08208 | BOLT | 2 | RHD |
| 21-2 | 01107-06168 | BOLT | 2 | LHD |
| 22-1 | 08321-21088 | LOCK WASHER | 2 | RHD |
| 22-2 | 08321-21068 | LOCK WASHER | 2 | LHD |
| 23-1 | 08322-11088 | WASHER | 2 | RHD |
| 23-2 | 08322-11068 | WASHER | 2 | LHD |
| 24 | 48451-58001 | RUBBER, steering shaft seal | 1 | |
| 25 | 37110-65010 | SWITCH ASSY, ignition | 1 | |
| 26 | 02112-04088 | SCREW | 3 | |
| 27 | 08321-21048 | LOCK WASHER | 3 | |
| 28 | 36870-67000 | LEAD WIRE COMP, ignition switch | 2 | |
| 29 | 37145-70010 | KEY, blank | 1 | OPT |

SUZUKI PARTS CATALOGUE

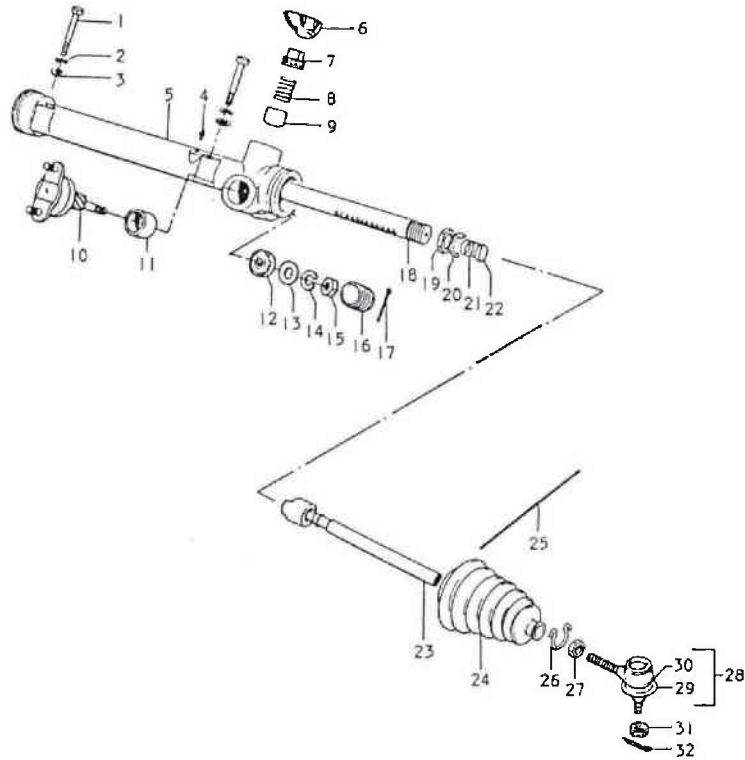


FIG. 45 STEERING LINK

| Ref. No. | Part No. | Description | Q'ty | Remarks |
|----------|-------------|------------------------------|------|--------------|
| 01 | 01107-10458 | BOLT | 2 | |
| 02 | 08321-31108 | LOCK WASHER | 2 | |
| 03 | 08322-11108 | WASHER | 2 | |
| 04 | 08351-21008 | GREASE NIPPLE | 1 | |
| 05-1 | 48511-70400 | CASE, steering gear | 1 | RHD |
| 05-2 | 48511-70600 | CASE, steering gear | 1 | LHD |
| 06 | 48536-58000 | CAP, domper screw | 1 | |
| 07 | 48535-58000 | SCREW, steering rack damper | 1 | |
| 08 | 09440-19001 | SPRING, steering rack damper | 1 | L: 36 |
| 09 | 48534-58000 | PLUNGER, steering rack | 1 | |
| 10-1 | 48550-58002 | PINION, steering | 1 | RHD |
| 10-2 | 48550-58202 | PINION, steering | 1 | LHD |
| 11 | 09307-22001 | BUSH, steering pinion | 1 | OD:29 ID: 22 |
| 12 | 08113-62012 | BEARING | 1 | |
| 13 | 08322-11128 | WASHER | 1 | |
| 14 | 08321-31128 | LOOK WASHER | 1 | |
| 15 | 08310-12128 | NUT | 1 | |
| 16 | 48562-58001 | PLUG, bearing | 1 | |
| 17 | 04111-25258 | COTTER PIN 1 | 1 | |
| 18 | 48531-70400 | RACK, steering | 1 | |
| 19 | 09140-22004 | NUT | 1 | |
| 20 | 09166-22002 | LOOK WASHER | 2 | |
| 21 | 09440-13003 | SPRING | 2 | L: 16 |
| 22 | 48852-58031 | SEAT, tie-rod | 2 | |
| 23 | 48830-70400 | TIE-ROD, steering | 2 | |
| 24 | 48571-58001 | BOOT, steering rack | 2 | |
| 25 | 09460-01019 | WIRE, boot | 2 | |
| 26 | 09401-15401 | CLAMP | 2 | |
| 27 | 08310-22128 | NUT | 2 | |
| 28 | 48801-58002 | TIE-ROD END | 1 | |
| 29 | 48814-67010 | • BOOT | 2 | |
| 30 | 09460-01019 | • WIRE | 2 | |
| 31 | 08314-41108 | CASTLE NUT | 2 | |
| 32 | 04111-25158 | COTTER PIN | 2 | |

SUZUKI PARTS CATALOGUE

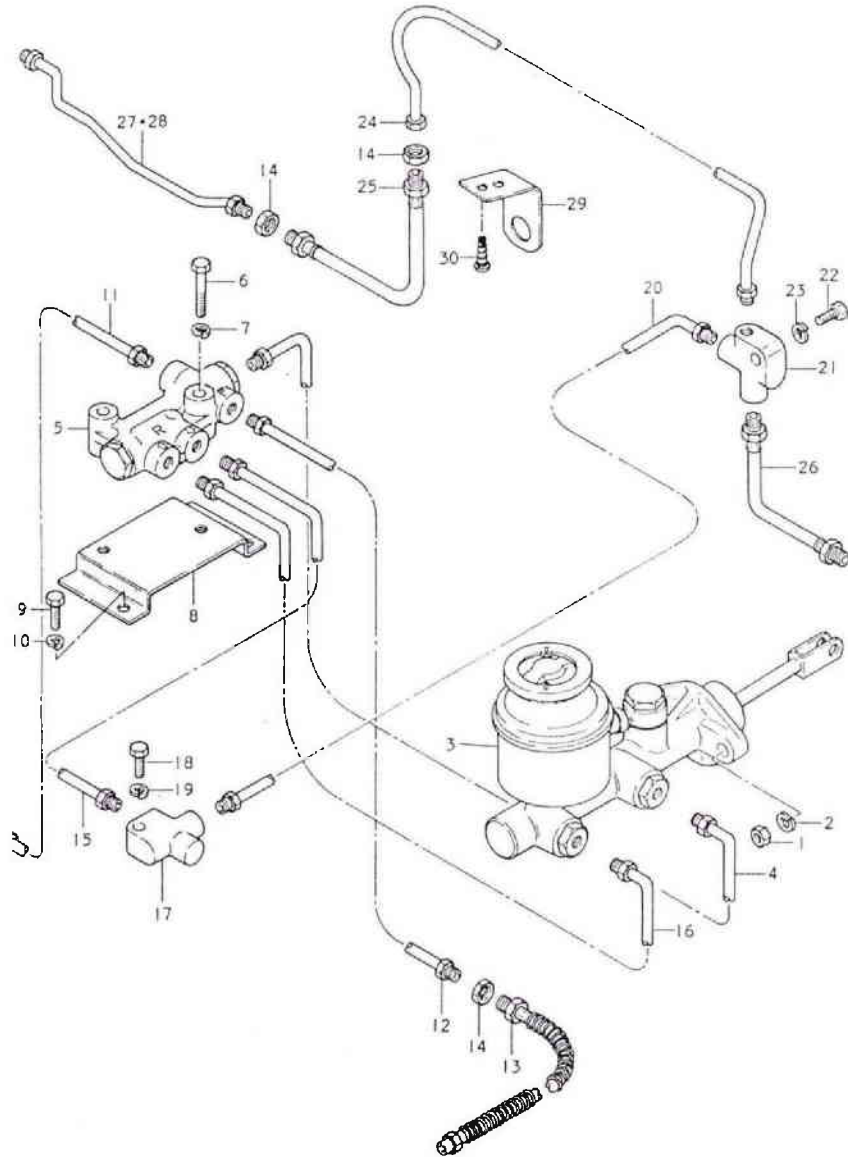


FIG. 46 BRAKE PIPING

| Ref. No. | Part No. | Description | Q'ty | Remarks |
|----------|-------------|-----------------------------------|------|---------|
| 01 | 08310-12088 | NUT | 2 | |
| 02 | 08321-21088 | LOCK WASHER | 2 | |
| 03 | 51100-75610 | CYLINDER ASSY, brake master | 1 | |
| 04-1 | 51410-75130 | PIPE, brake (1) | 1 | RHD |
| 04-2 | 51410-75120 | PIPE, brake (2) | 1 | LHD |
| 05 | 51920-75120 | VALVE ASSY, proportioning/by-pass | 1 | |
| 06 | 01107-08408 | BOLT | 2 | |
| 07 | 08321-31088 | LOCK WASHER | 2 | |
| 08-1 | 51890-75130 | BRACKET, P & B valve | 1 | RHD |
| 08-2 | 51890-75120 | BRACKET, P & B valve | 1 | LHD |
| 09 | 01107-06128 | BOLT 3 | 3 | |
| 10 | 08321-31008 | LOCK WASHER | 3 | |
| 11-1 | 51420-75130 | PIPE, brake (2) | 1 | RHD |
| 11-2 | 51420-75120 | PIPE, brake (2) | 1 | LHD |
| 12-1 | 51430-75130 | PIPE, brake (3) | 1 | RHD |
| 12-2 | 51430-75120 | PIPE, brake (3) | 1 | LHD |
| 13 | 51540-75130 | FLEXIBLE HOSE, front brake | 2 | L: 385 |
| 14 | 09140-16007 | NUT | 5 | |
| 15-1 | 51450-75130 | PIPE, brake (13) | 1 | RHD |
| 15-2 | 51450-75120 | PIPE, brake (13) | 1 | LHD |
| 16-1 | 51440-75130 | PIPE, brake (12) | 1 | RHD |
| 16-2 | 51440-75120 | PIPE, brake (12) | 1 | LHD |
| 17 | 51610-66320 | 2 WAY JOINT, brake pipe | 1 | |
| 18 | 01107-06258 | BOLT | 1 | |
| 19 | 08321-21068 | LOCK WASHER | 1 | |
| 20 | 51460-74000 | PIPE, brake (6) | 1 | |
| 21 | 51620-52020 | 3 WAY JOINT, brake pipe | 1 | |
| 22 | 01107-06258 | BOLT | 1 | |
| 23 | 08321-21068 | LOCK WASHER | 1 | |
| 24 | 51470-74000 | PIPE, brake (7) | 1 | |
| 25 | 51560-74030 | FLEXIBLE HOSE, rear RH | 1 | L: 250 |
| 26 | 51560-70032 | FLEXIBLE HOSE, rear LH | 1 | L: 285 |
| 27 | 51480-74000 | PIPE, brake (8) | 1 | |
| 28 | 51490-70011 | PIPE, brake (9) | 1 | |
| 29 | 65551-74001 | BRACKET, brake hose | 1 | |
| 30 | 09132-05001 | SCREW | 2 | |

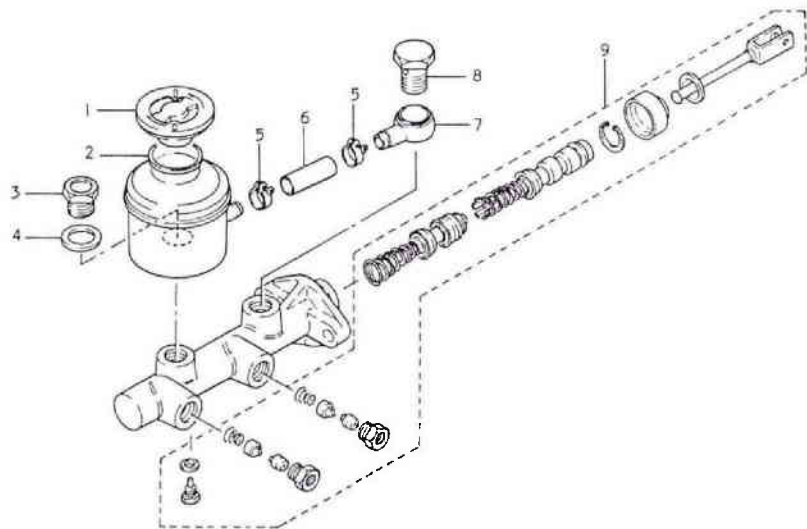


FIG. 47 MASTER CYLINDER INNER PARTS

| Ref. No. | Part No. | Description | Q'ty | Remarks |
|----------|-------------|---------------------------------|------|---------|
| 01 | 51220-75110 | CAP, reserver | 1 | |
| 02 | 51211-70010 | RESERVER, master cylinder | 1 | |
| 03 | 51231-70010 | BOLT, reserver | 1 | |
| 04 | 51232-70010 | GASKET, reserver | 1 | |
| 05 | 51212-70010 | CLAMP, reserver hose | 2 | |
| 06 | 51213-70010 | HOSE, reserver | 1 | |
| 07 | 51191-70010 | CONNECTOR, master cylinder | 1 | |
| 08 | 51192-66310 | BOLT, master cylinder connector | 1 | |
| 09 | 51100-70810 | PISTON CUP SET | 1 | |

SUZUKI PARTS CATALOGUE

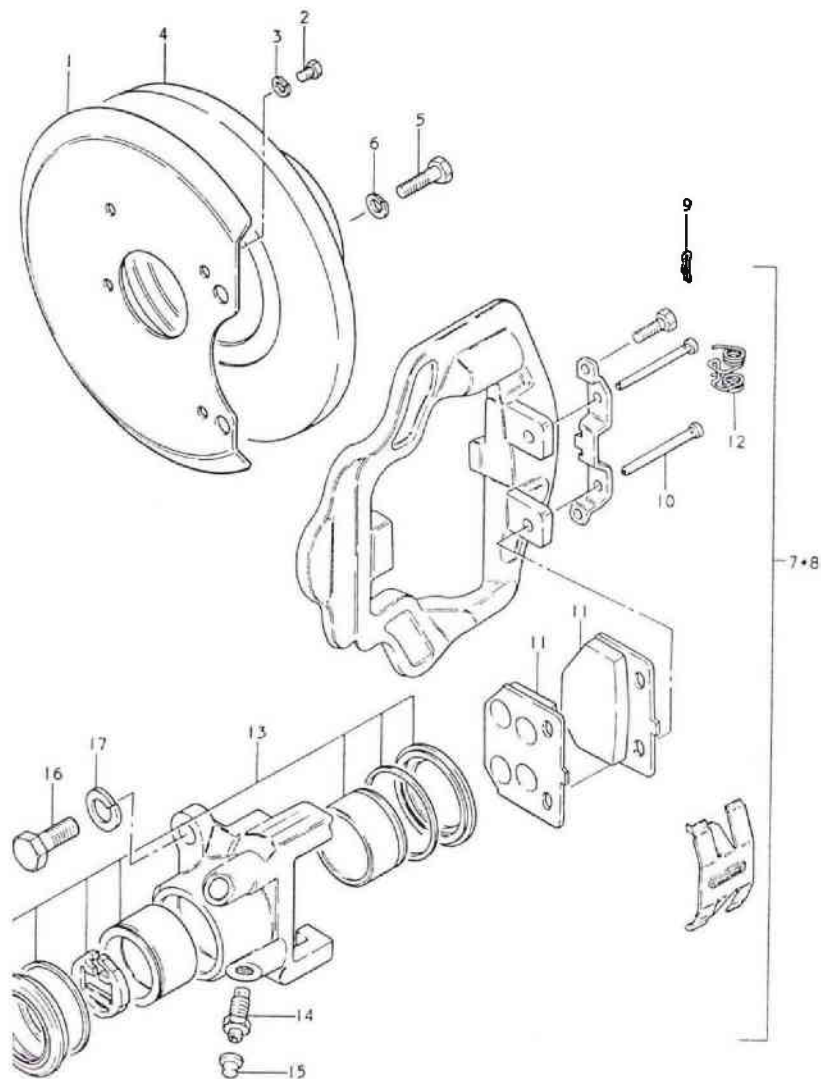


FIG. 48 FRONT WHEEL BRAKE

| Ref. No. | Part No. | Description | Q'ty | Remarks |
|----------|-------------|-------------------------|------|---------|
| 01 | 55520-75100 | DUST COVER, brake disk | 2 | |
| 02 | 01107-06108 | BOLT, dust cover | 8 | |
| 03 | 08321-31068 | LOCK WASHER | 8 | |
| 04 | 55511-75100 | DISK, front brake | 2 | |
| 05 | 01107-08258 | BOLT, front side | 8 | |
| 06 | 08321-31088 | LOCK WASHER | 8 | |
| 07 | 55101-75120 | CALIPER ASSY, RH | 1 | |
| 08 | 55102-75120 | CALIPER ASSY, LH | 1 | |
| 09 | 55222-75120 | • CLIP, pad pin | 2 | |
| 10 | 55221-75120 | • PIN, pad | 4 | |
| 11 | 55210-75120 | • PAD COMP, front brake | 4 | |
| 12 | 55161-75120 | • SPRING, plate hold | 2 | |
| 13 | 55100-75810 | • PISTON SEAL SET | 2 | |
| 14 | 52473-60020 | • PLUG, bleeder | 2 | |
| 15 | 52474-60020 | • CAP, bleeder plug | 2 | |
| 16 | 01107-10308 | BOLT, brake caliper | 4 | |
| 17 | 08321-31108 | LOCK WASHER | 4 | |

SUZUKI PARTS CATALOGUE

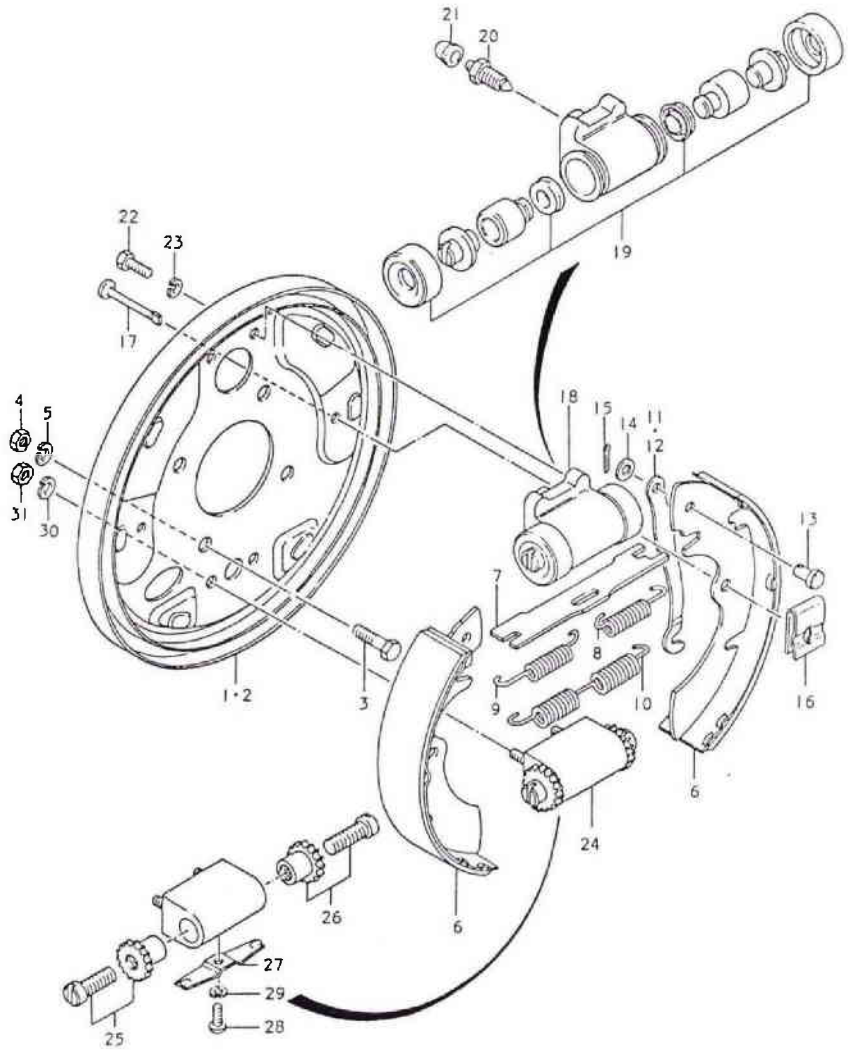


FIG. 49 REAR WHEEL BRAKE

| Ref. No. | Part No. | Description | Q'ty | Remarks |
|----------|-------------|-----------------------------|------|------------|
| 01 | 53101-66340 | PLATE, rear brake back RH | 1 | |
| 02 | 53102-66340 | PLATE, rear brake back LH | 1 | |
| 03 | 01107-10408 | BOLT | 8 | |
| 04 | 08310-12108 | NUT | 8 | |
| 05 | 08321-31108 | LOCK WASHER | 8 | |
| 06 | 52210-60010 | SHOE, brake | 4 | |
| 07 | 53711-58040 | STRUT, brake shoe | 2 | |
| 08 | 53235-58040 | SPRING, shoe return sub (1) | 2 | left turn |
| 09 | 53236-58040 | SPRING, shoe return sub (2) | 2 | right turn |
| 10 | 53231-58040 | SPRING, brake shoe return B | 2 | |
| 11 | 53721-58040 | LEVER, brake shoe RH | 1 | |
| 12 | 53726-58040 | LEVER, brake shoe LH | 1 | |
| 13 | 53731-58040 | PIN, parking brake lever | 2 | |
| 14 | 53742-58040 | WASHER, lever pin | 2 | |
| 15 | 04111-25208 | COTTER PIN | 2 | |
| 16 | 52243-58040 | SPRING, brake shoe holding | 4 | |
| 17 | 52241-58040 | PIN, brake shoe holding | 4 | L: 36 |
| 18 | 53400-75140 | CYLINDER ASSY, rear wheel | 2 | |
| 19 | 52400-75810 | • PISTON CUP SET | 2 | |
| 20 | 52473-60010 | • PLUG, bleeder | 1 | |
| 21 | 52474-60010 | • CAP, bleeder plug | 1 | |
| 22 | 01107-06128 | BOLT | 4 | |
| 23 | 08321-31068 | LOCK WASHER | 4 | |
| 24 | 53610-58040 | ANCHOR ASSY, brake shoe | 2 | |
| 25 | 52450-60833 | • SLEEVE SET, adjusting | 2 | LH threads |
| 26 | 52550-60832 | • SLEEVE SET, adjusting | 2 | RH threads |
| 27 | 53631-58040 | • SPRING, adjust lock | 2 | |
| 28 | 02111-04067 | • SCREW | 2 | |
| 29 | 08321-21048 | • LOCK WASHER | 2 | |
| 30 | 08321-31088 | LOCK WASHER | 4 | |
| 31 | 08310-12088 | NUT | 4 | |

SUZUKI PARTS CATALOGUE

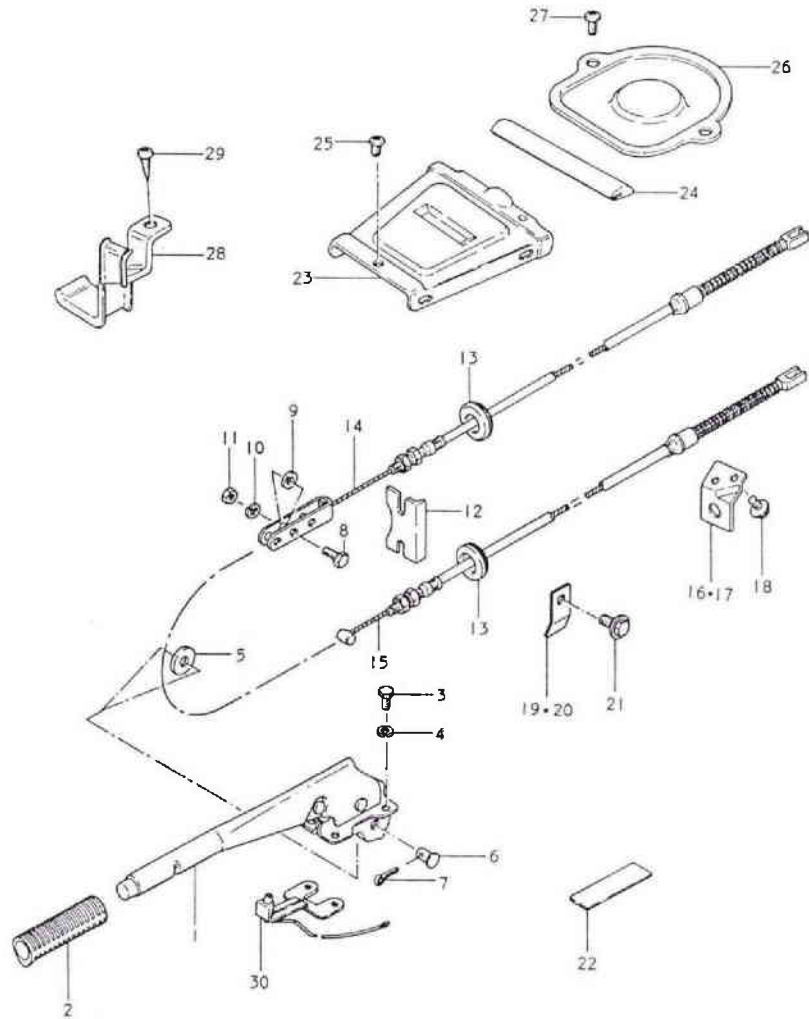


FIG. 50 PARKING BRAKE

| Ref. No. | Part No. | Description | Q'ty | Remarks |
|----------|-------------|----------------------------------|------|---------|
| 01 | 54100-64011 | LEVER ASSY, parking brake | 1 | |
| 02 | 54112-58410 | GRIP, brake lever | 1 | |
| 03 | 01107-06128 | BOLT | 4 | |
| 04 | 08321-31068 | LOCK WASHER | 4 | |
| 05 | 54211-64000 | PULLEY, parking brake cable | 1 | |
| 06 | 09200-08010 | PIN, parking brake cable | 1 | |
| 07 | 04111-20158 | COTTER PIN | 1 | |
| 08 | 01107-06168 | BOLT | 1 | |
| 09 | 09180-06005 | SPACER, joint | 1 | |
| 10 | 08321-31068 | LOCK WASHER | 1 | |
| 11 | 08310-11068 | NUT | 1 | |
| 12 | 54495-70000 | STRAINGS, parking cable | 1 | |
| 13 | 09308-06004 | GROMMET, parking cable | 2 | |
| 14 | 54410-75010 | CABLE, parking brake RH | 1 | |
| 15 | 54420-70410 | CABLE, parking brake LH | 1 | |
| 16 | 54481-70000 | BRACKET, parking cable RH | 1 | |
| 17 | 54485-70000 | BRACKET, parking cable LH | 1 | |
| 18 | 01517-06128 | BOLT | 3 | |
| 19 | 54471-70001 | CLAMP, parking cable RH | 2 | |
| 20 | 54475-70001 | CLAMP, parking cable LH | 1 | |
| 21 | 01517-06128 | BOLT | 2 | |
| 22 | 65491-70000 | DUST SEAL, parking lever bracket | 1 | |
| 23 | 65471-70000 | LID, floor tunnel service rear | 1 | |
| 24 | 66511-70400 | PAD, service rear lid | 1 | |
| 25 | 02142-06127 | SCREW | 5 | |
| 26 | 65591-66000 | LID, service (2) | 1 | |
| 27 | 03141-04128 | SCREW | 2 | |
| 28 | 65580-70000 | SUPPORTER, control wire | 1 | |
| 29 | 02142-05128 | SCREW | 1 | |
| 30 | 37940-70010 | SWITCH ASSY, parking brake | 1 | |

SUZUKI PARTS CATALOGUE

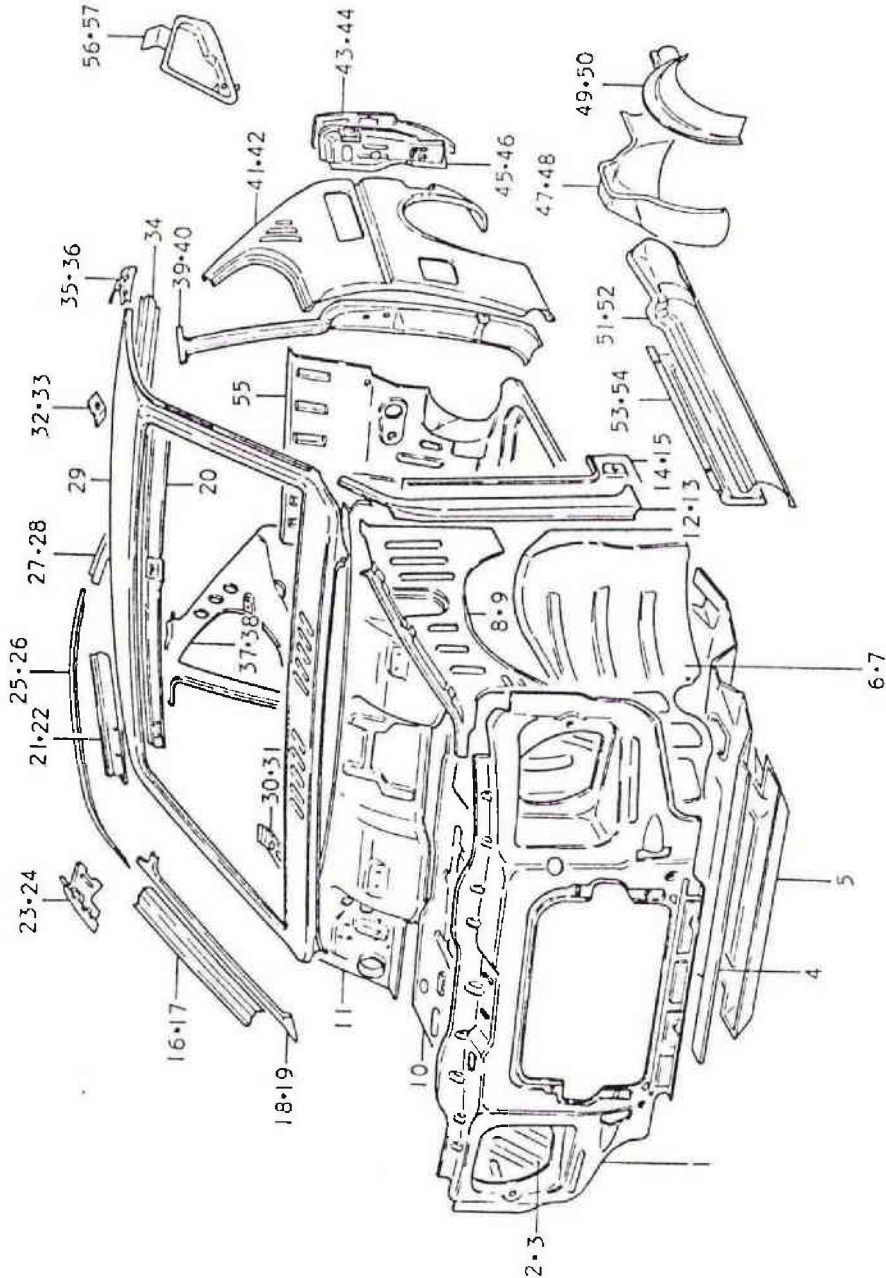


FIG. 51 BODY PANEL

| Ref. No. | Part No. | Description | Q'ty | Remarks |
|----------|-------------|--------------------------------|------|---------|
| 01 | 64110-75000 | PANEL, radiator support | 1 | |
| 02 | 64121-75000 | • HOUSING, headlamp RH | 1 | |
| 03 | 64131-75000 | • HOUSING, headlamp LH | 1 | |
| 04-1 | 64810-75101 | PANEL, front under | 1 | RH |
| 04-2 | 64810-75111 | PANEL, front under | 1 | LH |
| 05 | 65108-70400 | MEMBER, lower arm | 1 | |
| 06-1 | 64410-75000 | PANEL, cowl side RH | 1 | RH |
| 06-2 | 64410-75110 | PANEL, cowl side RH | 1 | LH |
| 07-1 | 64510-75000 | PANEL, cowl side LH | 1 | RH |
| 07-2 | 64510-75110 | PANEL, cowl side LH | 1 | LH |
| 08 | 64210-75000 | PANEL, epron side RH | 1 | |
| 09 | 64310-75000 | PANEL, epron side LH | 1 | |
| 10-1 | 64620-75000 | PANEL, cowl upper forward | 1 | RH |
| 10-2 | 64620-75110 | PANEL, cowl upper forward | 1 | LH |
| 11-1 | 64610-75000 | PANEL, cowl upper | 1 | RH |
| 11-2 | 64610-75110 | PANEL, cowl upper | 1 | LH |
| 12 | 68230-75000 | PILLAR, front outer lower RH | 1 | |
| 13 | 68280-75000 | PILLAR, front outer lower LH | 1 | |
| 14 | 67230-75000 | PILLAR, front inner lower RH | 1 | |
| 15 | 67280-75000 | PILLAR, front inner lower LH | 1 | |
| 16 | 68221-75000 | PILLAR, front outer upper RH | 1 | |
| 17 | 68271-75000 | PILLAR, front outer upper LH | 1 | |
| 18 | 67221-75000 | PILLAR, front inner upper RH | 1 | |
| 19 | 67271-75000 | PILLAR, front inner upper LH | 1 | |
| 20 | 71210-75000 | RAIL, front inner | 1 | |
| 21-1 | 67311-75000 | RAIL, roof side inner RH | 1 | RH |
| 21-2 | 67311-75110 | RAIL, roof side inner RH | 1 | LH |
| 22 | 67361-75000 | RAIL, roof side inner LH | 1 | |
| 23 | 71271-75000 | REINFORCEMENT, front corner RH | 1 | |
| 24 | 71272-75000 | REINFORCEMENT, front corner LH | 1 | |
| 25 | 66311-75000 | RAIL, roof side outer RH | 1 | |
| 26 | 68361-75000 | RAIL, roof side outer LH | 1 | |
| 27 | 68331-75000 | RAIL, roof drip rear RH | 1 | |
| 28 | 68381-75000 | RAIL, roof drip rear LH | 1 | |
| 29-1 | 71111-75100 | PANEL, roof | 1 | RH |

SUZUKI PARTS CATALOGUE

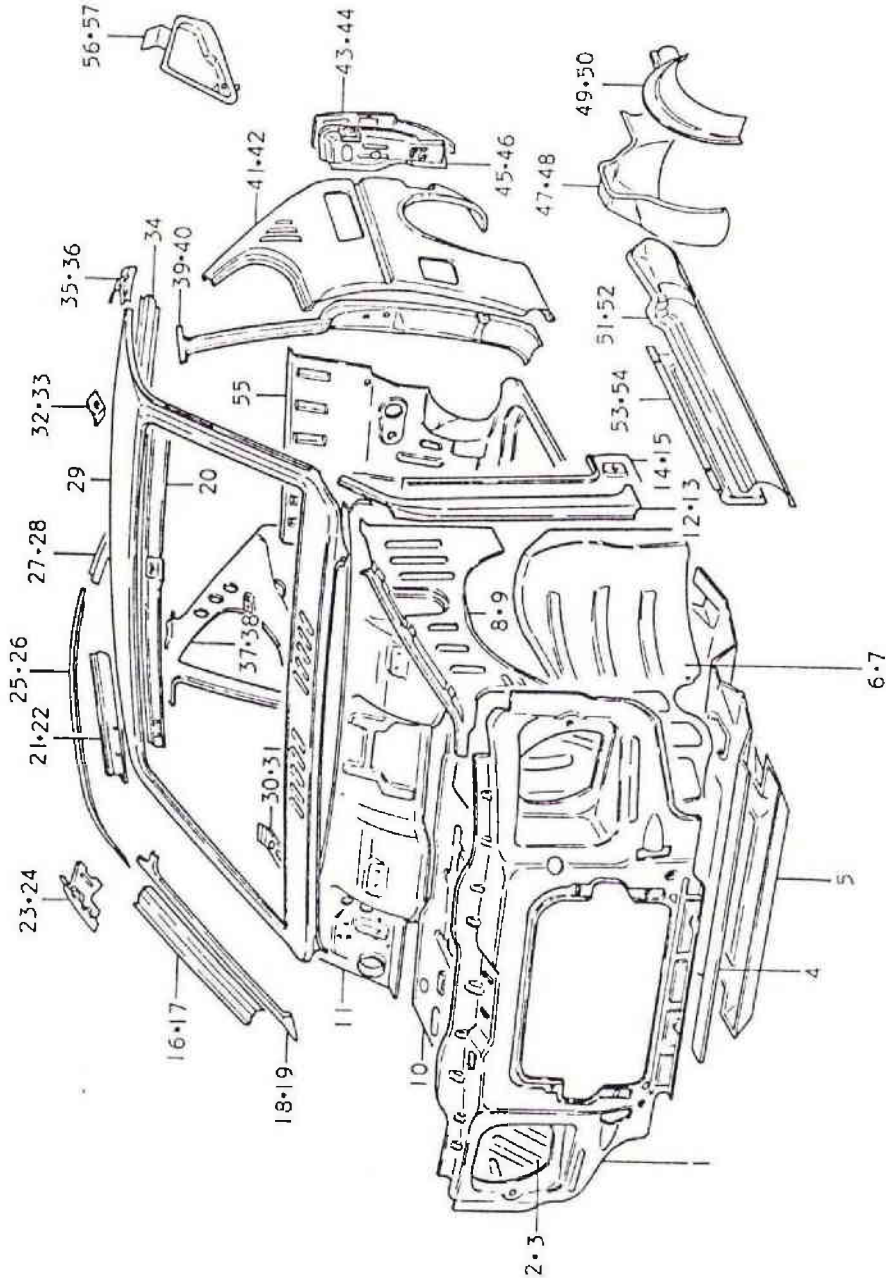


FIG. 51 BODY PANEL

| Ref. No. | Part No. | Description | Q'ty | Remarks |
|----------|-------------|-------------------------------|------|---------|
| 29-2 | 71111-75120 | PANEL, roof | 1 | LH |
| 30 | 71141-75000 | REINFORCEMENT, wiper center | 1 | |
| 31-1 | 71142-75000 | REINFORCEMENT, wiper RH | 1 | RH |
| 31-2 | 71142-75110 | REINFORCEMENT, wiper LH | 1 | LH |
| 32 | 71120-75000 | GUSSET, back window hinge RH | 1 | |
| 33 | 71170-75000 | GUSSET, back window hinge LH | 1 | |
| 34 | 71311-75000 | RAIL, roof inner rear | 1 | |
| 35 | 71371-75000 | REINFORCEMENT, rear corner RH | 1 | |
| 36 | 71372-75000 | REINFORCEMENT, rear corner LH | 1 | |
| 37 | 67610-75000 | PANEL, rear quarter inner RH | 1 | |
| 38 | 67660-75000 | PANEL, rear quarter inner LH | 1 | |
| 39 | 68510-66001 | PILLAR, center RH | 1 | |
| 40-1 | 68560-66001 | PILLAR, center LH | 1 | RH |
| 40-2 | 68560-66601 | PILLAR, center LH | 1 | LH |
| 41 | 68910-75000 | PANEL, quarter outer RH | 1 | |
| 42 | 68960-75000 | PANEL, quarter outer LH | 1 | |
| 43 | 68921-75000 | EXTENSION, quarter outer RH | 1 | |
| 44 | 68971-75000 | EXTENSION, quarter outer LH | 1 | |
| 45 | 67640-66001 | HOUSING, rear lamp RH | 1 | |
| 46 | 67690-66001 | HOUSING, rear lamp LH | 1 | |
| 47 | 65701-75100 | HOUSING, rear wheel RH | 1 | |
| 48 | 65702-75100 | HOUSING, rear wheel LH 1 | 1 | |
| 49 | 67921-75000 | HOUSING, rear wheel outer RH | 1 | |
| 50 | 67971-75000 | HOUSING, rear wheel outer LH | 1 | |
| 51 | 68411-75000 | SILL, side outer RH | 1 | |
| 52 | 68461-75000 | SILL, side outer LH | 1 | |
| 53 | 67411-75000 | RAIL, side inner RH | 1 | |
| 54 | 67461-75000 | RAIL, side inner LH | 1 | |
| 55 | 65510-75100 | PANEL, rear seat riser | 1 | |
| 56 | 68940-75000 | WATERPROOF, RH | 1 | |
| 57 | 68990-75000 | WATERPROOF, LH | 1 | |

SUZUKI PARTS CATALOGUE

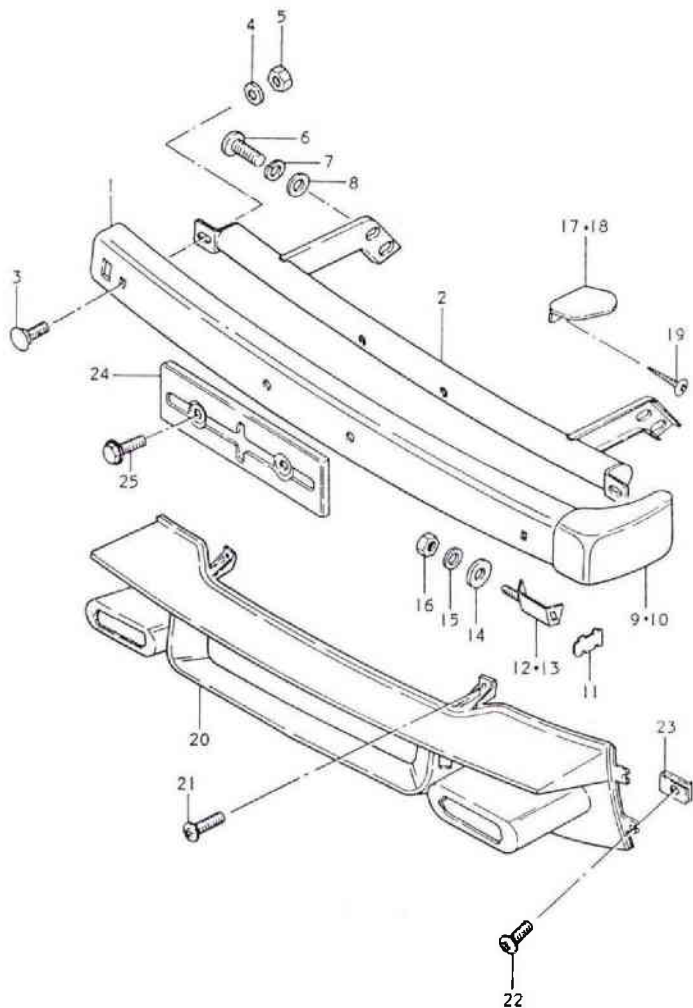


FIG. 52 FRONT BUMPER

| Ref. No. | Part No. | Description | Q'ty | Remarks |
|----------|-----------------|-------------------------------|------|---------|
| 01-1 | 57411-75120 | BUMPER, front | 1 | |
| 01-2 | 57411-75130-281 | BUMPER, front | 1 | Black |
| 02 | 57470-75120 | BALANCE WEIGHT, front bumper | 1 | |
| 03 | 57435-58000 | BOLT | 2 | |
| 04 | 08322-21068 | WASHER | 2 | |
| 05 | 08310-11068 | NUT | 2 | |
| 06 | 01107-08168 | BOLT | 4 | |
| 07 | 08321-21088 | LOCK WASHER | 4 | |
| 08 | 08322-11088 | WASHER | 4 | |
| 09 | 57421-75000 | PAD, bumper side RH | 1 | |
| 10 | 57431-75000 | PAD, bumper side LH | 1 | |
| 11 | 57422-70400 | CLIP, bumper side pad | 6 | |
| 12 | 57422-75000 | BRACKET, pad RH | 1 | |
| 13 | 57432-75000 | BRACKET, pad LH | 1 | |
| 14 | 09320-08014 | CUSHION, pad bracket | 2 | |
| 15 | 09160-08032 | WASHER | 2 | |
| 16 | 08310-12088 | NUT | 2 | |
| 17 | 61222-75000 | FILLER, front bumper RH | 1 | |
| 18 | 61227-75000 | FILLER, front bumper LH | 1 | |
| 19 | 03141-04128 | SCREW | 4 | |
| 20 | 61221-75000 | PANEL, front balance | 1 | |
| 21 | 02142-06127 | SCREW | 2 | |
| 22 | 03141-05128 | SCREW | 4 | |
| 23 | 09148-05008 | NUT | 4 | |
| 24 | 57491-75120 | PLATE, license lamp attaching | 1 | |
| 25 | 01517-06108 | BOLT | 2 | |

SUZUKI PARTS CATALOGUE

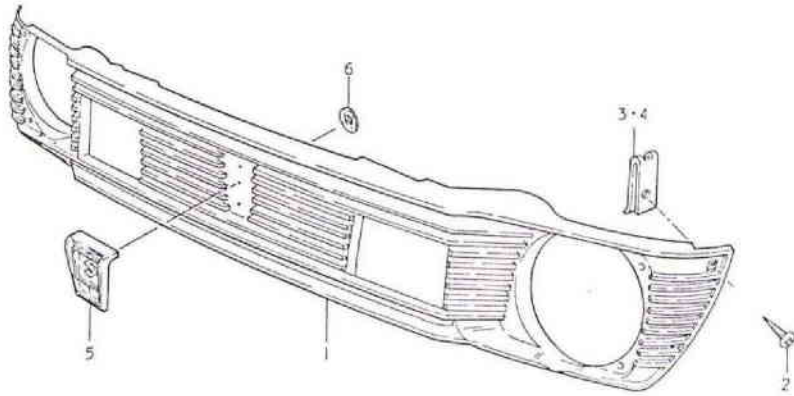


FIG. 53 FRONT GRILLE

| Ref. No. | Part No. | Description | Q'ty | Remarks |
|----------|-----------------|--------------------|------|---------|
| 01 | 61111-75000-281 | GRILLE, front | 1 | |
| 02 | 03211-05165 | SCREW | 7 | |
| 03 | 09148-05008 | NUT, grille center | 1 | L: 31 |
| 04 | 09148-05003 | NUT | 6 | L: 19 |
| 05 | 86711-75000 | EMBLEM, top | 1 | |
| 06 | 09148-04016 | NUT | 1 | |

SUZUKI PARTS CATALOGUE

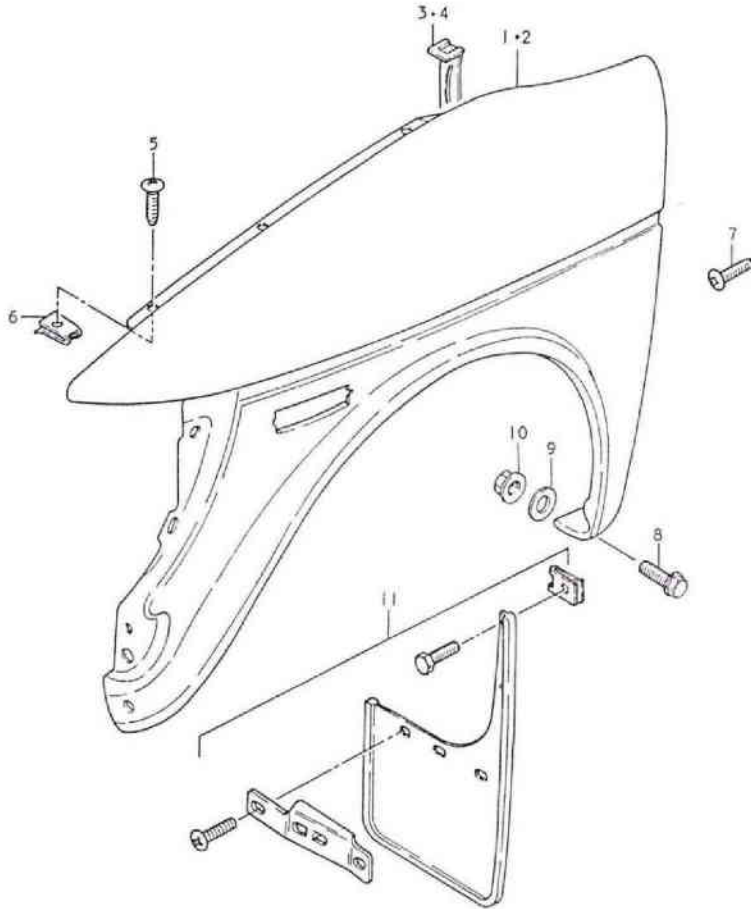


FIG. 54 FRONT FENDER

| Ref. No. | Part No. | Description | Q'ty | Remarks |
|----------|-------------|----------------------|------|---------|
| 01 | 61710-75121 | FENDER, front RH | 1 | |
| 02 | 61810-75121 | FENDER, front LH | 1 | |
| 03 | 61640-66010 | STIFFENER, fender RH | 1 | |
| 04 | 61690-66010 | STIFFENER, fender LH | 1 | |
| 05 | 03241-05088 | SCREW, fender upper | 6 | |
| 06 | 09148-05003 | NUT | 6 | |
| 07 | 09128-06004 | SCREW, fender rear | 2 | |
| 08 | 01104-05168 | BOLT | 2 | |
| 09 | 08322-21058 | WAHER | 2 | |
| 10 | 08316-16056 | NUT | 2 | |
| 11 | 57600-75830 | MUD FLAP SET, front | 1 | OPT |

SUZUKI PARTS CATALOGUE

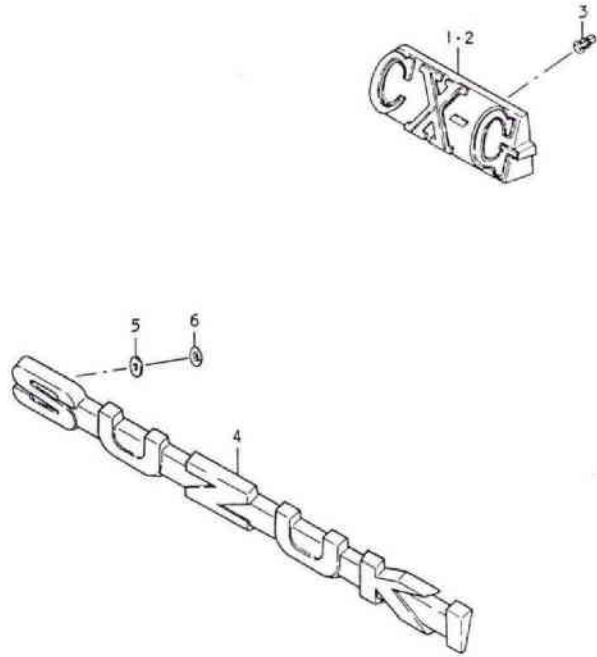


FIG. 55 EMBLEM

| Ref. No. | Part No. | Description | Q'ty | Remarks |
|----------|-------------|----------------------|------|---------|
| 01 | 86761-75000 | EMBLEM, rear quarter | 2 | CXG |
| 02 | 86761-75010 | EMBLEM, rear quarter | 2 | CX |
| 03 | 09148-03008 | NUT | 4 | |
| 04 | 86771-75000 | EMBLEM, "SUZUKI" | 1 | |
| 05 | 86782-71000 | GASKET | 2 | |
| 06 | 09148-03003 | NUT | 2 | |

SUZUKI PARTS CATALOGUE

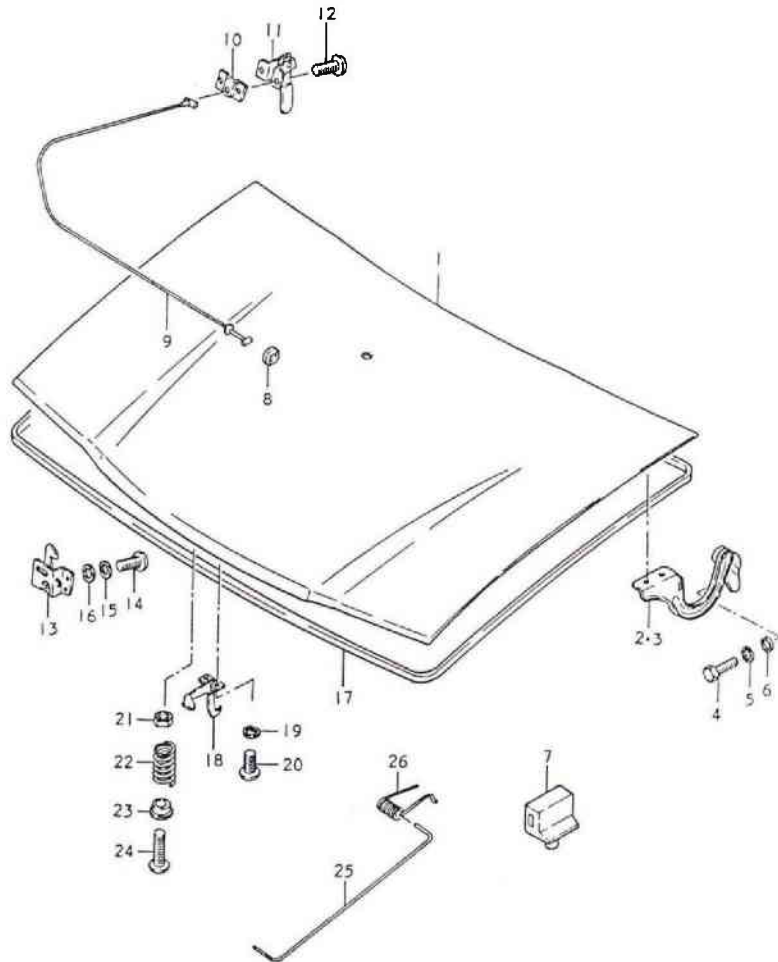


FIG. 56 FRONT FOOD PANEL

| Ref. No. | Part No. | Description | Q'ty | Remarks |
|----------|-------------|--------------------------|------|---------|
| 01 | 61300-75000 | PANEL, front food | 1 | |
| 02 | 61401-66001 | HINGE, front food RH | 1 | |
| 03 | 61402-66001 | HIGNE, front food LH | 1 | |
| 04 | 01107-06168 | BOLT | 10 | |
| 05 | 08321-21068 | LOCK WASHER | 10 | |
| 06 | 08322-21068 | WASHER | 10 | |
| 07 | 09321-05009 | CUSHION, front food | 2 | |
| 08 | 09308-05011 | GROMMET, food lock cable | 1 | |
| 09 | 61650-64010 | CABLE, food lock release | 1 | |
| 10 | 61621-64000 | STOPPER, cable | 1 | |
| 11 | 61610-64000 | LEVER, food lock release | 1 | |
| 12 | 02142-06108 | SCREW | 2 | |
| 13 | 61510-64000 | LOCK, front food | 1 | |
| 14 | 09128-06004 | SCREW | 4 | |
| 15 | 09160-06028 | LOCK WASHER | 4 | |
| 16 | 08322-21068 | WASHER | 4 | |
| 17 | 63551-75001 | WEATHERSTRIP, front food | 1 | L: 3330 |
| 18 | 61530-75000 | LOCK, food safety | 1 | |
| 19 | 08321-21068 | LOCK WASHER | 2 | |
| 20 | 02112-06108 | SCREW | 2 | |
| 21 | 08310-11068 | NUT | 1 | |
| 22 | 09440-27004 | SPRING, food open | 1 | |
| 23 | 61671-64000 | SUPPORTER, open spring | 1 | |
| 24 | 09125-06016 | SCREW | 1 | |
| 25 | 61471-70000 | STAY, front food | 1 | |
| 26 | 61473-64000 | SPRING, front food stay | 1 | |

SUZUKI PARTS CATALOGUE

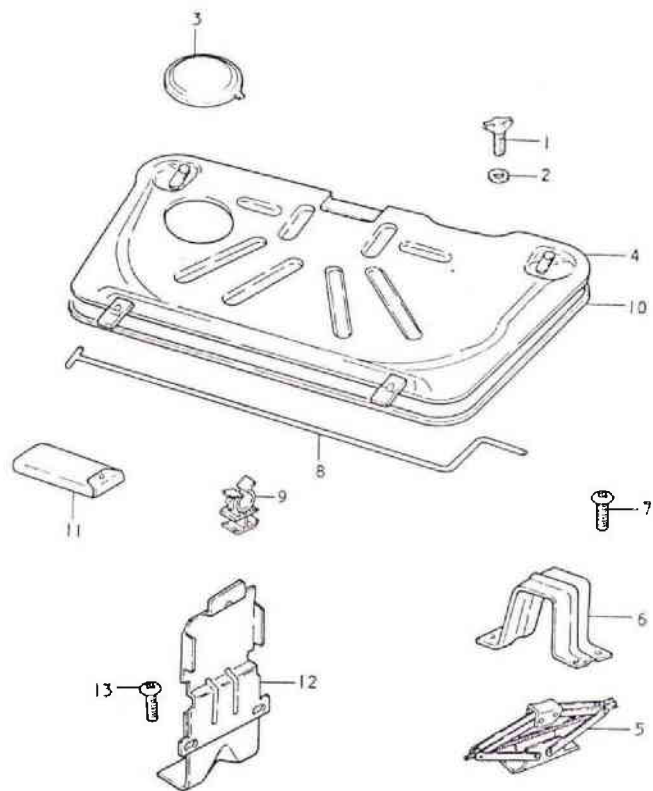


FIG. 57 COWL SERVICE LID

| Ref. No. | Part No. | Description | Q'ty | Remarks |
|----------|-------------|-------------------------|------|---------|
| 01 | 09119-06017 | BOLT, spare tire | 1 | |
| 02 | 09160-06003 | WASHER | 1 | |
| 03 | 63421-75000 | LID, brake fluid | 1 | |
| 04-1 | 63410-75000 | LID, cowl upper service | 1 | RHD |
| 04-2 | 63410-75110 | LID, cowl upper service | 1 | LHD |
| 05 | 09824-00006 | JACK ASSY | 1 | |
| 06 | 62252-66000 | BRACKET, jack | 1 | |
| 07 | 02112-06108 | SCREW | 2 | |
| 08 | 09824-00005 | HANDLE, jack | 1 | |
| 09 | 09403-09309 | CLAMP, jack handle | 2 | |
| 10 | 63561-75000 | WEATHERSTRIP, service | 1 | |
| 11 | 09800-00184 | TOOL ASSY | 1 | |
| 12 | 64630-66500 | BRACKET, washer tank | 1 | |
| 13 | 02112-06108 | SCREW | 2 | |

SUZUKI PARTS CATALOGUE

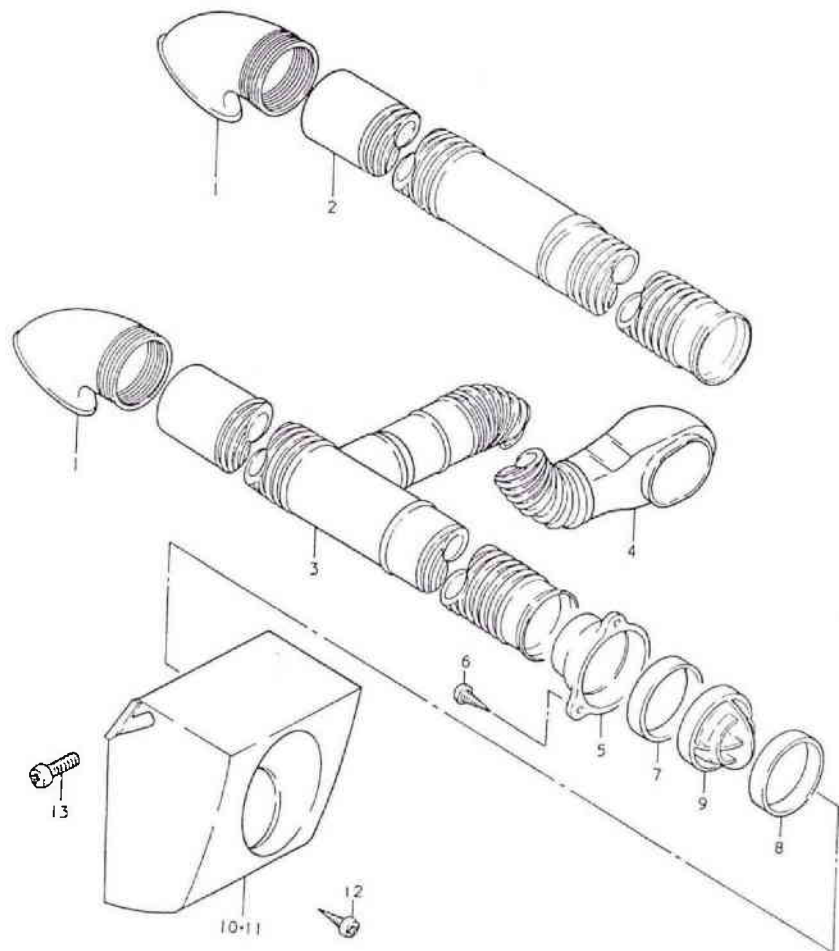


FIG. 58 SIDE VENTILATOR

| Ref. No. | Part No. | Description | Q'ty | Remarks |
|----------|-------------|----------------------------|------|---------|
| 01 | 62911-66000 | JOINT, side ventilator | 2 | |
| 02 | 62912-66002 | HOSE, side ventilator RH | 1 | |
| 03 | 62912-75001 | HOSE, side ventilator LH | 1 | |
| 04-1 | 62915-75000 | DUCT, fresh air | 1 | RHD |
| 04-2 | 62915-75110 | DUCT, fresh air | 1 | LHD |
| 05 | 62935-70000 | DUCT, side ventilator | 2 | |
| 06 | 03141-04128 | SCREW | 6 | |
| 07 | 62934-66000 | FELT, side ventilator | 2 | |
| 08 | 62936-71500 | FELT, side ventilator | 2 | |
| 09 | 62933-66000 | LOUVER, side ventilator | 2 | |
| 10 | 62312-71500 | OUTLET, side ventilator RH | 1 | |
| 11 | 62317-71500 | OUTLET, side ventilator LH | 1 | |
| 12 | 03141-04128 | SCREW | 4 | 4x12 |
| 13 | 02142-05165 | SCREW | 4 | 5x16 |

SUZUKI PARTS CATALOGUE

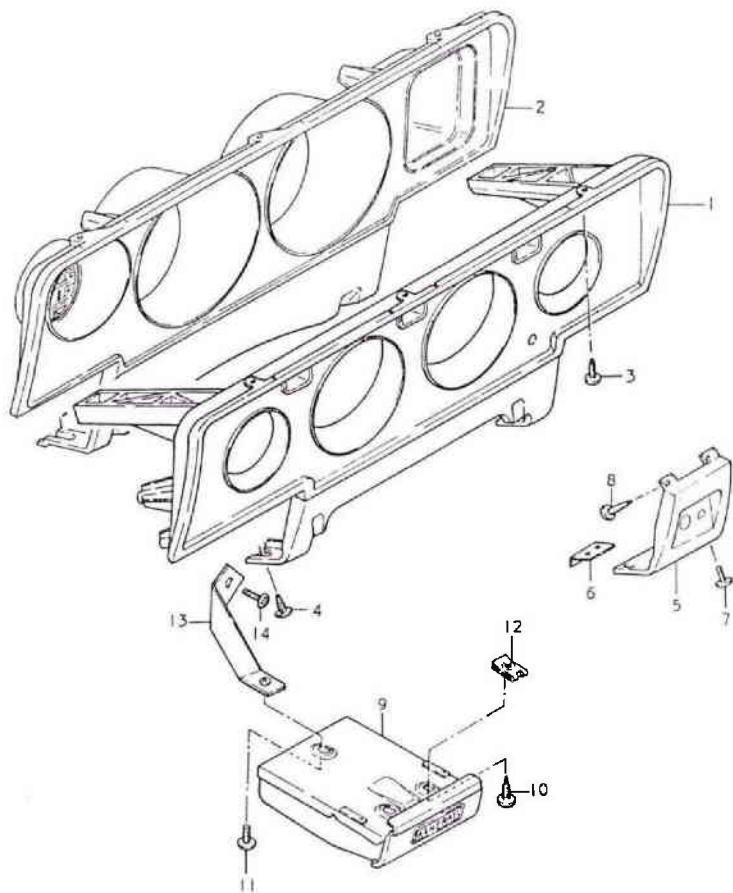


FIG. 59 METER PANEL

| Ref. No. | Part No. | Description | Q'ty | Remarks |
|----------|-------------|--------------------------|------|---------|
| 01 | 62411-75000 | PANEL, meter | 1 | CXG |
| 02 | 62411-75010 | PANEL, meter | 1 | CX |
| 03 | 09132-04016 | SCREW, meter panel upper | 3 | 4x12 |
| 04 | 02142-05165 | SCREW, meter panel lower | 2 | 5x16 |
| 05 | 62313-75000 | PANEL, switch | 1 | |
| 06 | 62314-71500 | STAY, switch panel | 1 | |
| 07 | 02142-05128 | SCREW | 3 | 5x12 |
| 08 | 03141-04128 | SCREW | 2 | 4x12 |
| 09 | 86360-70400 | ASHTRAY | 1 | |
| 10 | 03141-05128 | SCREW | 2 | |
| 11 | 02142-05107 | SCREW | 1 | |
| 12 | 09148-05003 | NUT | 2 | |
| 13 | 86369-75000 | STAY, front ashtray | 1 | |
| 14 | 03141-05108 | SCREW | 1 | |

SUZUKI PARTS CATALOGUE

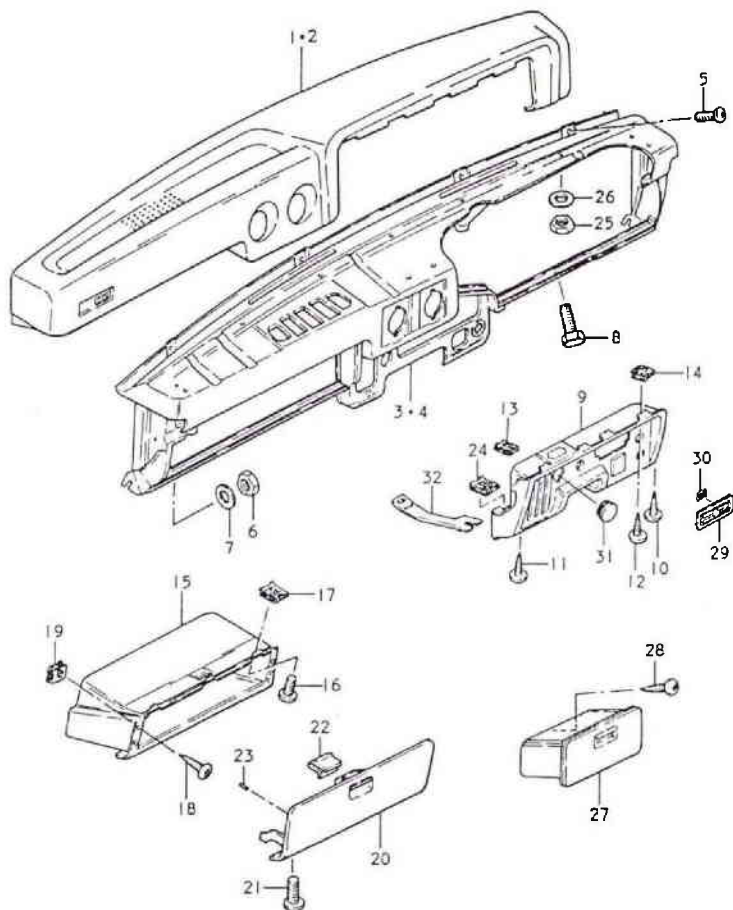


FIG. 60 INSTRUMENT PANEL

| Ref. No. | Part No. | Description | Q'ty | Remarks |
|----------|-----------------|-----------------------------|------|---------|
| 01-1 | 62610-75000 | PAD, instrument panel | 1 | CXG RHD |
| 01-2 | 62610-71500-128 | PAD, instrument panel | 1 | CX RHD |
| 02-1 | 62610-75110 | PAD, instrument panel | 1 | CXG LHD |
| 02-2 | 62610-71560-128 | PAD, instrument panel | 1 | CX LHD |
| 03-1 | 62320-75001 | PANEL, instrument | 1 | CXG RHD |
| 03-2 | 62320-75010 | PANEL, instrument | 1 | CX RHD |
| 04-1 | 62320-75110 | PANEL, instrument | 1 | CXG LHD |
| 04-2 | 62320-75130 | PANEL, instrument | 1 | CX LHD |
| 05 | 02142-06125 | SCREW, upper | 4 | |
| 06 | 08310-11068 | NUT | 2 | |
| 07 | 09160-06027 | WASHER | 2 | |
| 08 | 01517-06128 | BOLT | 1 | |
| 9 | 62311-71520-281 | PANEL, instrument center | 1 | |
| 10 | 02142-05128 | SCREW | 1 | |
| 11 | 03141-05168 | SCREW | 1 | |
| 12 | 03141-04165 | SCREW | 3 | |
| 13 | 09148-04003 | NUT | 2 | |
| 14 | 09148-04015 | NUT | 1 | |
| 15 | 62511-71500 | GLOVE BOX, instrument panel | 1 | |
| 16 | 03141-05165 | SCREW | 3 | |
| 17 | 09148-05003 | NUT | 3 | |
| 18 | 09132-04016 | SCREW | 2 | |
| 19 | 09148-04015 | NUT | 2 | |
| 20 | 62531-71500-128 | LID, glove box | 1 | |
| 21 | 02142-05128 | SCREW | 3 | |
| 22 | 62534-70001 | LOCK, glove box lid | 1 | |
| 23 | 09329-03001 | CUSHION, glove box lid | 2 | |
| 24 | 09148-05003 | NUT | 1 | |
| 25 | 08310-11048 | NUT | 9 | |
| 26 | 08322-21048 | WASHER | 9 | |
| 27 | 62521-71500-128 | CENTER POCKET, instrument | 1 | CX |
| 28 | 09132-04016 | SCREW | 2 | CX |
| 29 | 62460-58020 | COVER, radio hole | 1 | CX |
| 30 | 09148-05001 | NUT | 2 | CX |
| 31 | 09250-25001 | CAP, cigarette lighter | 1 | CX |
| 32 | 62381-75000 | STAY, instrument panel | 1 | |

SUZUKI PARTS CATALOGUE

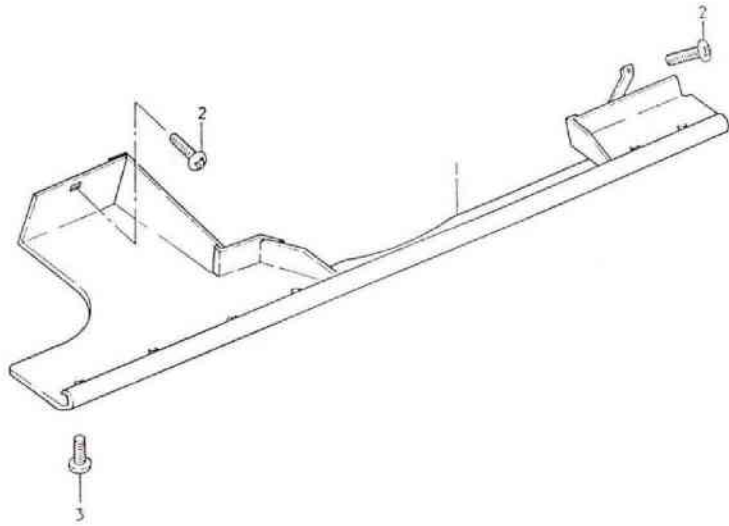


FIG. 61 PACKAGE TRAY

| Ref. No. | Part No. | Description | Q'ty | Remarks |
|----------|-------------|---------------------|------|---------|
| 01-1 | 87610-75000 | TRAY, front package | 1 | RHD |
| 01-2 | 87610-75110 | TRAY, front package | 1 | LHD |
| 02 | 03241-06105 | SCREW | 2 | |
| 03 | 03141-06128 | SCREW | 1 | |

SUZUKI PARTS CATALOGUE

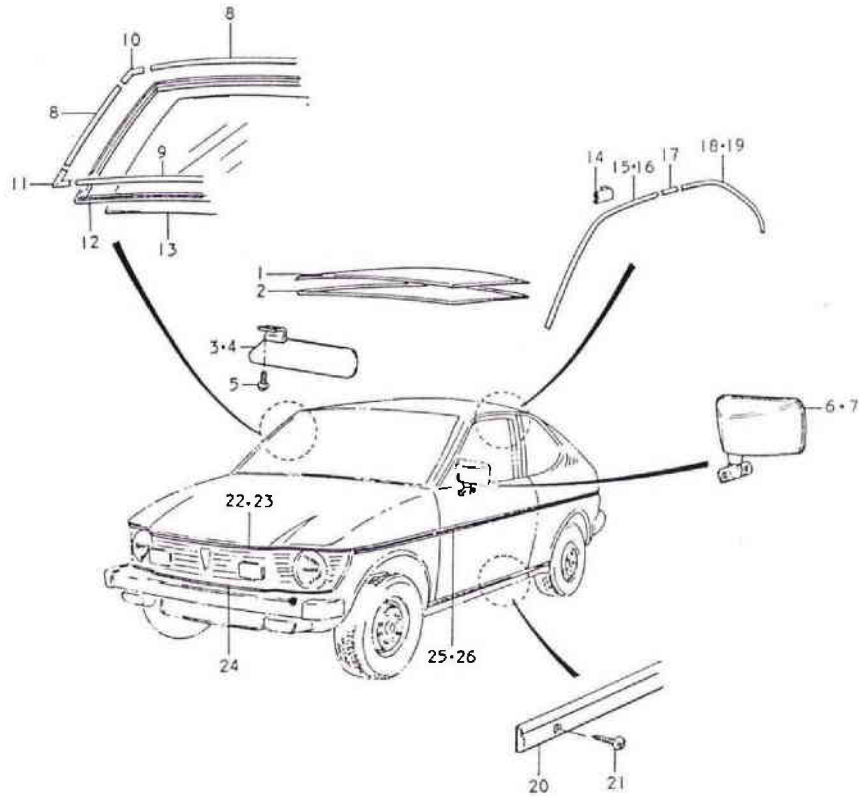


FIG. 62 FRONT WINDOW - MOUL

| Ref. No. | Part No. | Description | Q'ty | Remarks |
|----------|-----------------|------------------------------|------|--------------------------|
| 01-1 | 71811-75000-881 | HEAD LINING, roof | 1 | Black |
| 01-2 | 71811-75000-893 | HEAD LINING, roof | 1 | Gray |
| 02-1 | 71851-75000-40E | TRIM, roof side | 1 | Black |
| 02-2 | 71851-75000-896 | TRIM, roof side | 1 | Gray |
| 03-1 | 87401-70411-898 | SUN VISOR ASSY RH | 1 | Black |
| 03-2 | 87401-70411-899 | SUN VISOR ASSY RH | 1 | Grey |
| 04-1 | 87402-70411-898 | SUN VISOR ASSY LH | 1 | |
| 04-2 | 87402-70411-899 | SUN VISOR ASSY LH | 1 | |
| 05 | 02142-05087 | SCREW | 4 | |
| 06 | 86101-75100-869 | MIRROR ASSY, out side RH | 1 | RHD |
| 07 | 86102-75100-859 | MIRROR ASSY, out side LH | 1 | LHD |
| 08 | 86411-75000 | MOULDING, upper/side | 2 | L: 1020 side: 1020 + 510 |
| 09 | 86412-75000 | MOULDING, lower | 1 | |
| 10 | 86414-75000 | MOULDING, corner upper | 2 | a: 95°30' |
| 11 | 86415-75000 | MOULDING, corner lower | 2 | a: 100°50' |
| 12 | 79711-75000 | WETHERSTRIP, front window | 1 | |
| 13-1 | 79611-75000 | GLASS, front window | 1 | CXG: Blue |
| 13-2 | 79611-75010 | GLASS, front window | 1 | CX: Clear |
| 14 | 86491-75000 | CLIP, moulding | 16 | |
| 15 | 86471-75000 | MOULDING, roof drip front RH | 1 | |
| 16 | 86481-75000 | MOULDING, roof drip front LH | 1 | |
| 17 | 86485-75000 | JOINT, roof drip moul | 2 | |
| 18 | 86472-75000 | MOULDING, roof drip rear RH | 1 | |
| 19 | 86482-75000 | MOULDING, roof drip rear LH | 1 | |
| 20-1 | 86651-75000 | MOULDING, rocker panel RH | 1 | |
| 20-2 | 86656-75000 | MOULDING, rocker panel LH | 1 | |
| 21 | 09131-04007 | SCREW | 4 | |
| 22-1 | 86431-75000-742 | STRIPING TAPE, grille upper | 1 | Sliver L: 1500 |
| 22-2 | 86431-75070-05F | STRIPING TAPE, grille upper | 1 | Red L: 1500 |
| 23 | 86431-75000-742 | STRIPING TAPE, grille lower | 1 | Sliver L: 1500 + 1310 |
| 24-1 | 86511-75000-019 | STRIPING TAPE, grille side | 1 | Black |
| 24-2 | 86515-75000-63K | STRIPING TAPE, grille side | 1 | Orange/Red |

SUZUKI PARTS CATALOGUE

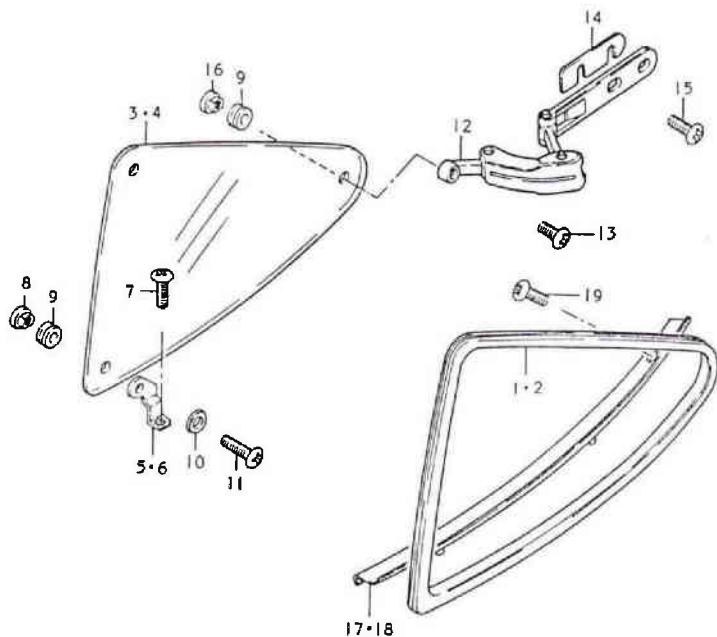


FIG. 63 SIDE WINDOW

| Ref. No. | Part No. | Description | Q'ty | Remarks |
|----------|-------------|------------------------------|---------|-----------------------|
| 01 | 69312-66200 | WETHERSTRIP, side window RH | 1 | |
| 02 | 69322-66200 | WETHERSTRIP, side window LH | 1 | |
| 03-1 | 69114-66321 | GLASS, side window RH | 1 | CXG: Blue |
| 03-2 | 69114-66221 | GLASS, side window RH | 1 | CXG: Blue & CX: Clear |
| 04-1 | 69124-66321 | GLASS, side window LH | 1 | CXG: Blue & CX: Clear |
| 04-2 | 69124-66221 | GLASS, side window LH | 1 | CX: Clear |
| 05 | 69251-64000 | HINGE, side window RH | 2 | |
| 06 | 69252-64000 | HINGE, side window LH | 2 | |
| 07 | 02142-05087 | SCREW | 4 | |
| 08 | 69272-64000 | COVER, outer | 4 | |
| 09 | 69275-69000 | PAD, hinge | 6 | |
| 10 | 69273-64000 | COVER, inner | 4 | |
| 11 | 02132-05108 | SCREW | 4 | |
| 12 | 69170-58022 | LOCK COMP, side window | 2 | |
| 13 | 02132-05108 | SCREW | 2 | |
| 14 | 69279-64000 | SHIM, side window lock | AR(0~4) | |
| 15 | 02142-05167 | SCREW | 4 | |
| 16 | 69272-60001 | COVER, side window lock stay | 2 | |
| 17 | 86630-75000 | MOULDING, window lower RH | 1 | |
| 18 | 86640-75000 | MOULDING, window lower LH | 1 | |
| 19 | 09132-03002 | SCREW | 2 | |

SUZUKI PARTS CATALOGUE

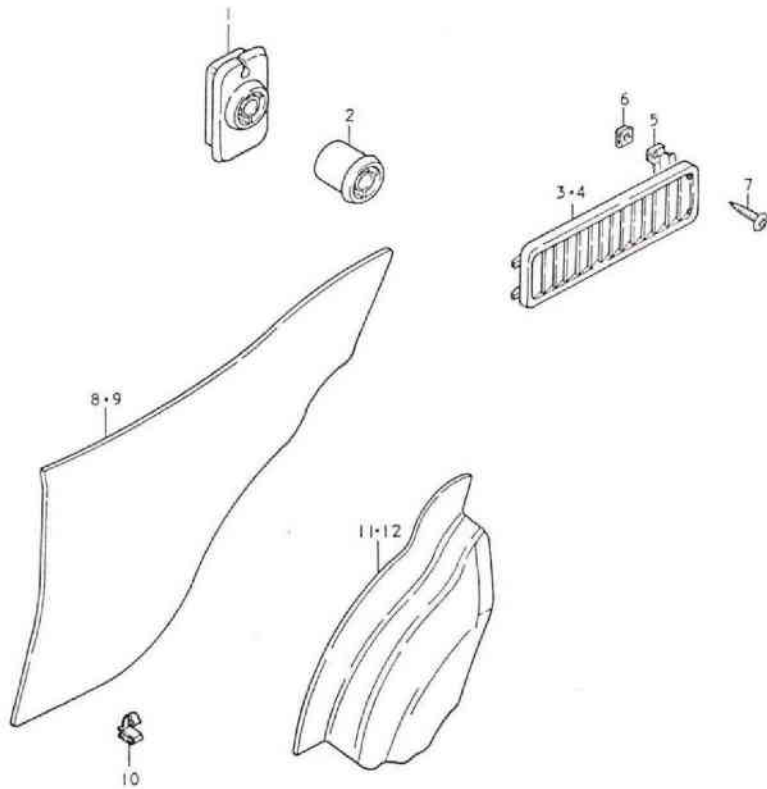


FIG. 64 SIDE TRIM

| Ref. No. | Part No. | Description | Q'ty | Remarks |
|----------|-----------------|---------------------------|------|---------|
| 01 | 69441-75000 | ESCUTCHEON, quarter inner | 2 | |
| 02 | 69511-66000 | ESCUTCHEON, quarter inner | 3 | |
| 03 | 68932-66000 | GRILLE, quarter RH | 1 | |
| 04 | 68982-66000 | GRILLE, quarter LH | 1 | |
| 05 | 68933-66000 | HOLDER, quarter grille | 2 | |
| 06 | 09148-04011 | NUT | 4 | |
| 07 | 09132-04005 | SCREW | 4 | |
| 08-1 | 79310-75000-877 | TRIM, rear side RH | 1 | Black |
| 08-2 | 79310-75000-40C | TRIM, rear side RH | 1 | Beige |
| 09-1 | 79320-75000-877 | TRIM, rear side LH | 1 | |
| 09-2 | 79320-75000-40C | TRIM, rear side LH | 1 | |
| 10 | 09409-08303 | CLIP | 16 | |
| 11-1 | 66361-75000-281 | TRIM, rear wheel house RH | 1 | Black |
| 11-2 | 66361-75000-40K | TRIM, rear wheel house RH | 1 | Beige |
| 12-1 | 66366-75000-281 | TRIM, rear wheel house LH | 1 | |
| 12-2 | 66366-75000-40K | TRIM, rear wheel house LH | 1 | |

SUZUKI PARTS CATALOGUE

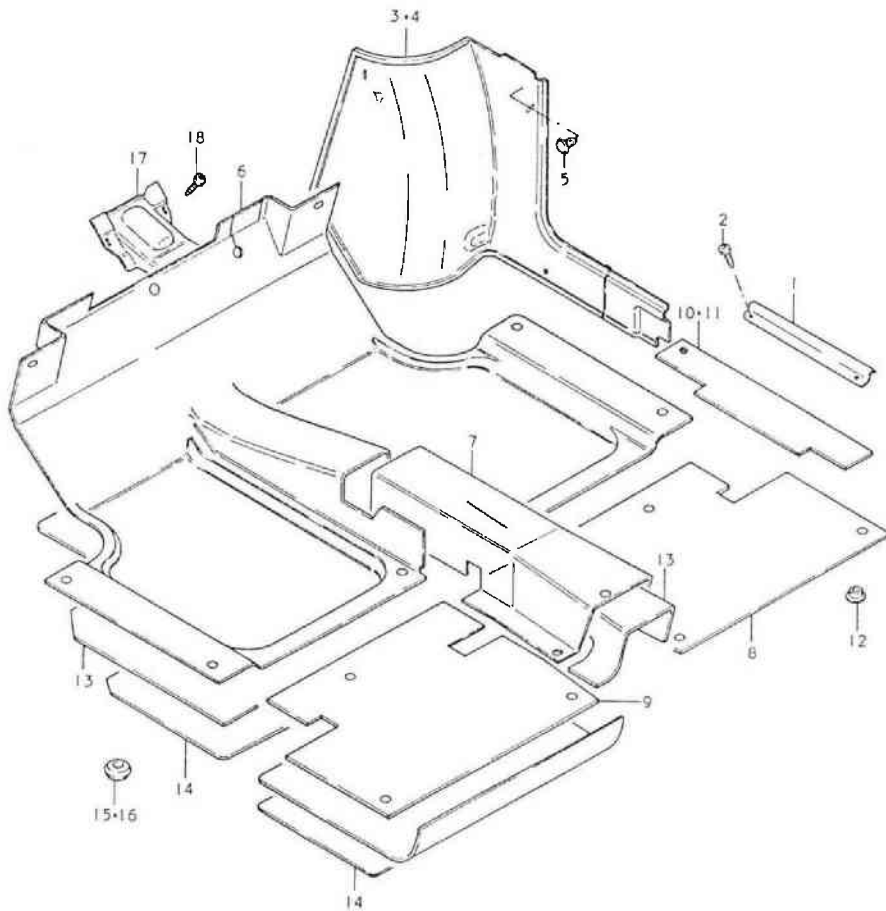


FIG. 65 FLOOR MAT

| Ref. No. | Part No. | Description | Q'ty | Remarks |
|----------|-----------------|-------------------------|------|-----------------|
| 01-1 | 66353-71511 | SQUAF, side lower | 4 | CXG |
| 01-2 | 66353-70001 | SQUAF, side lower | 4 | CX |
| 02 | 03111-04108 | SCREW | 8 | |
| 03-1 | 66321-75000-281 | TRIM, dush side RK | 1 | Black |
| 03-2 | 66321-75000-40L | TRIM, dush side RK | 1 | Beige |
| 04-1 | 66331-75000-281 | TRIM, dush side LH | 1 | |
| 04-2 | 66331-75000-40L | TRIM, dush side LH | 1 | |
| 05 | 09409-06301 | CLIP, trim | 2 | |
| 06-1 | 66110-75120-878 | CARPET, front floor | 1 | RHD, 878: Black |
| 06-2 | 66110-75110-878 | CARPET, front floor | 1 | LHD |
| 06-3 | 66110-75120-40D | CARPET, front floor | 1 | RHD, 40D: Gold |
| 06-4 | 66110-75110-40D | CARPET, front floor | 1 | LHD |
| 07-1 | 66120-75110-878 | CARPET, center floor | 1 | |
| 07-2 | 66120-75110-40D | CARPET, center floor | 1 | |
| 08-1 | 66130-75100-878 | CARPET, rear floor RH | 1 | |
| 08-2 | 66130-75100-40D | CARPET, rear floor RH | 1 | |
| 09-1 | 66140-75100-878 | CARPET, rear floor LH | 1 | |
| 09-2 | 66140-75100-40D | CARPET, rear floor LH | 1 | |
| 10-1 | 66161-75000-878 | CARPET, floor side RH | 1 | |
| 10-2 | 66161-75000-40D | CARPET, floor side RH | 1 | |
| 11-1 | 66162-75000-878 | CARPET, floor side LH | 1 | |
| 11-2 | 66162-75000-40D | CARPET, floor side LH | 1 | |
| 12 | 09410-00066 | MALE, floor mat hook | 17 | |
| 13 | 99000-73440 | PAD, floor silencer | AR | 1000 x 1200 |
| 14 | 99000-73370 | ASPHALT SEAT | AR | 300 x 700 |
| 15 | 09250-40002 | CAP, floor drain hole | 4 | 40 Ø |
| 16 | 09250-30002 | CAP, floor drain hole | 4 | 30 Ø |
| 17 | 66411-74000 | LID, floor tunnel front | 1 | |
| 18 | 03141-04128 | SCREW | 2 | |

SUZUKI PARTS CATALOGUE

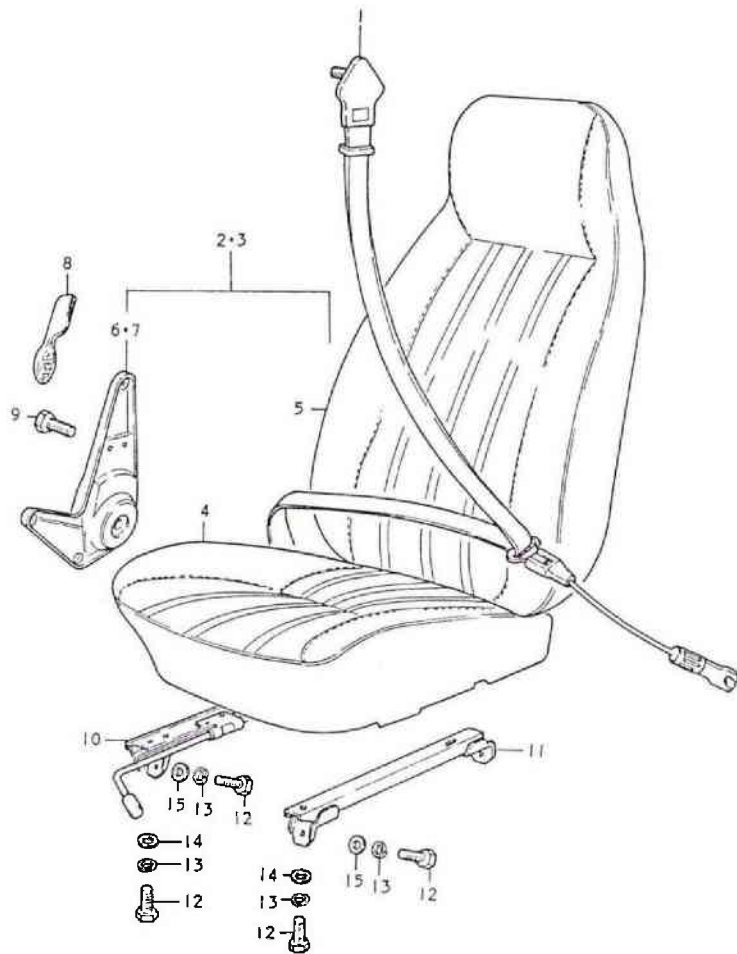


FIG. 66 FRONT SEAT

| Ref. No. | Part No. | Description | Q'ty | Remarks |
|----------|-----------------|----------------------------|------|--------------------|
| 01-1 | 87301-75000-382 | SEAT BELT ASSY, front | 2 | Black = OPT |
| 01-2 | 87301-75000-40G | SEAT BELT ASSY, front | 2 | Gold = OPT |
| 02-1 | 80001-75130-62U | SEAT ASSY, front RH | 1 | 62U: Red / Black |
| 02-2 | 80001-75130-62V | SEAT ASSY, front RH | 1 | 62V: White / Black |
| 02-3 | 80001-75130-65L | SEAT ASSY, front RH | 1 | 62L: Beige |
| 03-1 | 80002-75130-62U | SEAT ASSY, front LH | 1 | |
| 03-2 | 80002-75130-62V | SEAT ASSY, front LH | 1 | |
| 03-3 | 80002-75130-65L | SEAT ASSY, front LH | 1 | |
| 04-1 | 81270-75021-62U | • TRIM COVER, seat cushion | 2 | |
| 04-2 | 81270-75021-62V | • TRIM COVER, seat cushion | 2 | |
| 04-3 | 81270-75021-65L | • TRIM COVER, seat cushion | 2 | |
| 05-1 | 81670-75130-62U | • TRIM COVER, seat back | 2 | |
| 05-2 | 81670-75130-62V | • TRIM COVER, seat back | 2 | |
| 05-3 | 81670-75130-65L | • TRIM COVER, seat back | 2 | |
| 06 | 82601-58320 | • RECLINING ASSY, RH | 1 | |
| 07 | 82603-58320 | • RECLINING ASSY, LH | 1 | |
| 08 | 82615-58320 | • LEVER | 2 | |
| 09 | 01107-08168 | • BOLT | 8 | |
| 10 | 82410-75120 | RAIL ASSY, RH | 2 | |
| 11 | 82510-75120 | RAIL ASSY, LH | 2 | |
| 12 | 01107-06168 | BOLT | 16 | seat: 8, rail: 8 |
| 13 | 08321-21068 | LOCK WASHER | 16 | |
| 14 | 08322-11068 | WASHER | 8 | |
| 15 | 09160-06019 | WASHER | 8 | 6.5x16x1.2 |

SUZUKI PARTS CATALOGUE

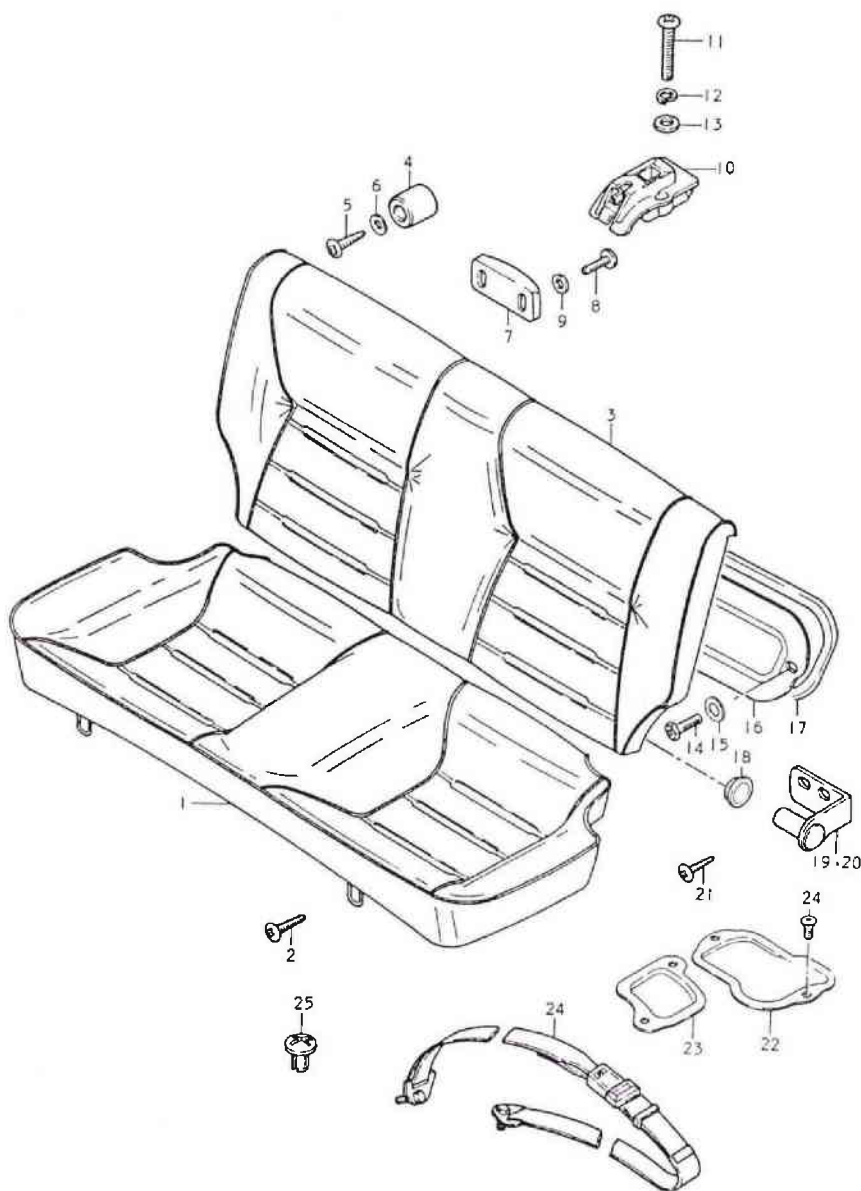


FIG. 67 REAR SEAT

| Ref. No. | Part No. | Description | Q'ty | Remarks |
|----------|-----------------|----------------------------|------|-------------|
| 01-1 | 83001-75000-877 | CUSHION ASSY, rear seat1 | | |
| 01-2 | 83001-75000-40C | CUSHION ASSY, rear seat1 | | |
| 02 | 02142-05165 | SCREW | 2 | |
| 03-1 | 83500-75000-877 | BACK ASSY, rear seat | 1 | 877: Black |
| 03-2 | 83500-75000-40C | BACK ASSY, rear seat | 1 | 40C: Beige |
| 04 | 09320-06014 | CUSHION, rear seat | 2 | |
| 05 | 02112-05168 | SCREW | 2 | |
| 06 | 08322-21058 | WASHER | 2 | |
| 07 | 84311-75001 | STRIKER, rear seat back | 1 | |
| 08 | 02142-05165 | SCREW | 2 | |
| 09 | 08322-21058 | WASHER | 2 | |
| 10 | 84330-75001 | LOCK ASSY, rear seat back | 1 | |
| 11 | 02112-06307 | SCREW | 2 | |
| 12 | 08321-21068 | LOCK WASHER | 2 | |
| 13 | 08322-21068 | WASHER | 2 | |
| 14 | 09128-05101 | BOLT | 4 | 5x8 |
| 15 | 08322-21058 | WASHER | 4 | |
| 16 | 66445-74000 | LID, engine service hole | 1 | |
| 17 | 63561-70400 | SEAL, service lid | 1 | |
| 18 | 09306-08003 | BUSH, hinge | 2 | |
| 19 | 84375-75001 | MALE, seat back hinge RH | 1 | |
| 20 | 84385-75001 | MALE, seat back hinge LH | 1 | |
| 21 | 02142-06127 | SCREW | 2 | |
| 22 | 66441-70400 | LID, fuel gauge service | 1 | |
| 23 | 65593-70000 | LID, breather pipe service | 1 | |
| 24 | 03141-04128 | SCREW | 4 | |
| 25 | 09250-10004 | PLUG, seat belt hose | 4 | |
| 26-1 | 87304-70411-382 | SEAT BELT ASSY, rear | 2 | Black = OPT |
| 26-2 | 87304-70411-40G | SEAT BELT ASSY, rear | 2 | Gold = OPT |

SUZUKI PARTS CATALOGUE

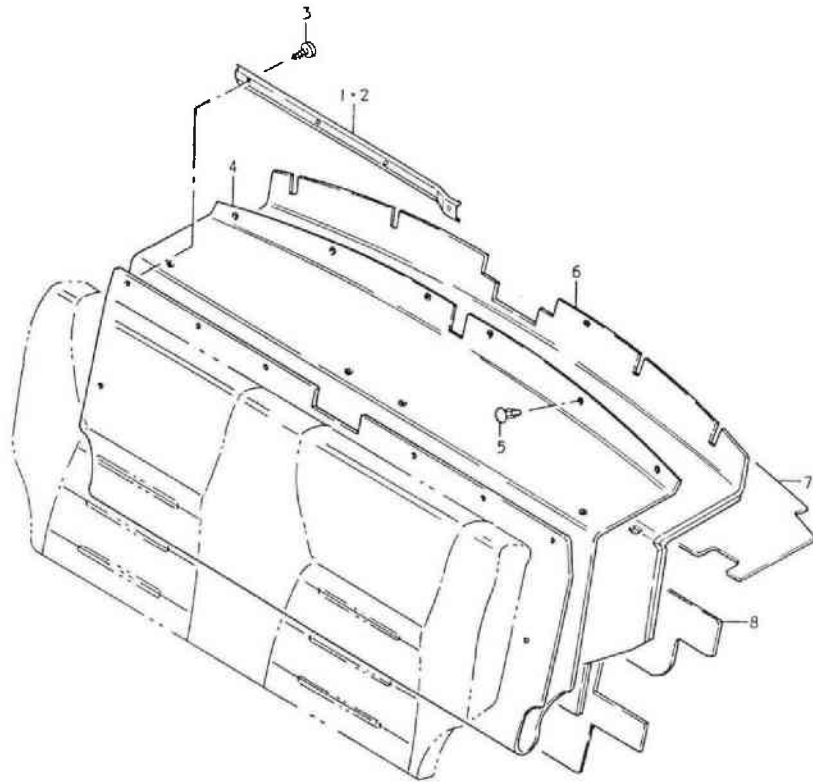


FIG. 68 REAR PEACEL SELF

| Ref. No. | Part No. | Description | Q'ty | Remarks |
|----------|-----------------|-------------------------|------|-------------|
| 01 | 83417-75000 | SASH, rear seat back RH | 1 | |
| 02 | 83427-75000 | SASH, rear seat back LH | 1 | |
| 03 | 03141-04165 | SCREW | 6 | |
| 04-1 | 83691-75001-884 | CARPET, rear seat back | 1 | 877: Black |
| 04-2 | 83690-75001-40M | CARPET, rear seat back | 1 | 40C: Beige |
| 05 | 09409-10302 | CLIP | 1 | |
| 06 | 99000-73440 | PAD, rear peacel self | AR | 1000 x 2000 |
| 07 | 99000-73370 | SEAT, rear peacel self | AR | 300 x 700 |
| 08 | 99000-73370 | SEAT, rear peacel | AR | 300 x 700 |

SUZUKI PARTS CATALOGUE

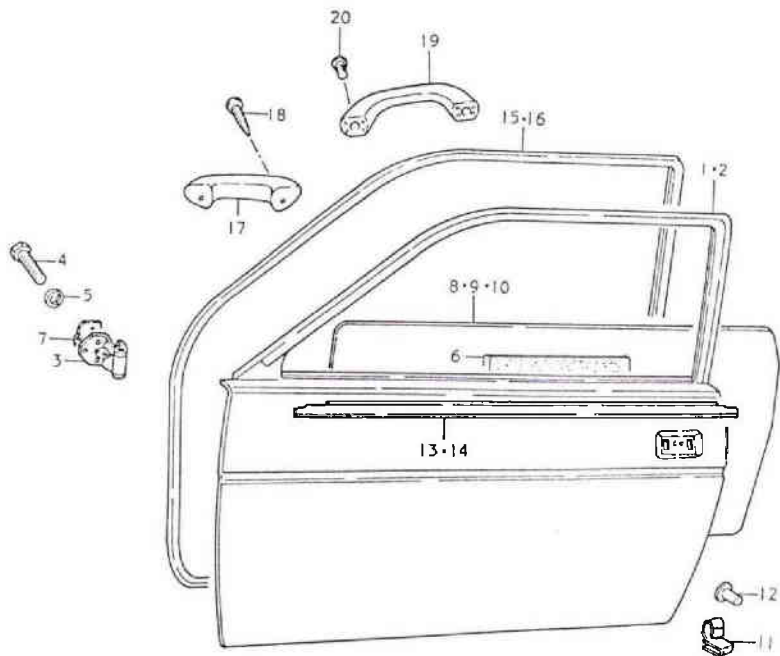


FIG. 69 DOOR PANEL

| Ref. No. | Part No. | Description | Q'ty | Remarks |
|----------|-----------------|------------------------------|------|-------------------|
| 01-1 | 75001-75100 | PANEL ASSY, door RH | 1 | RHD |
| 01-2 | 75001-75000 | PANEL ASSY, door RH | 1 | LHD |
| 02-1 | 75002-75000 | PANEL ASSY, door LH | 1 | RHD |
| 02-2 | 75002-75100 | PANEL ASSY, door LH | 1 | LHD |
| 03 | 76110-66004 | HINGE ASSY, door | 4 | |
| 04 | 09100-08128 | BOLT | 24 | 8x20 |
| 05 | 08321-21088 | LOCK WASHER | 24 | |
| 06 | 99000-73370 | SEAT, asphalt | 2 | 700x300 + 200x120 |
| 07 | 76114-66001 | SPACER, door hinge | 4 | |
| 08-1 | 79710-66003-877 | TRIM, door RH | 1 | CXG 877: Black |
| 08-2 | 79710-66003-40C | TRIM, door RH | 1 | CXG 40C: Beige |
| 09-1 | 79720-66003-877 | TRIM, door LH | 1 | CXG |
| 09-2 | 79720-66003-40C | TRIM, door LH | 1 | CXG |
| 10-1 | 79210-75010-40C | TRIM, door RH | 1 | CX |
| 10-2 | 79220-75010-40C | TRIM, door LH | 1 | CX |
| 11 | 09409-08303 | CLIP, door trim | 20 | |
| 12 | 09251-07002 | CAP, door trim clip | 8 | |
| 13 | 86610-75000 | MOULDING, door window RH | 1 | |
| 14 | 86620-75000 | MOULDING, door window LH | 1 | |
| 15 | 79821-75000 | WETHERSTRIP, door opening RH | 1 | |
| 16 | 79822-75000 | WETHERSTRIP, door opening LH | 1 | |
| 17-1 | 86311-58300-281 | ARM REST | 2 | 281: Black |
| 17-2 | 86311-58300-40H | ARM REST | 2 | 40H:Beige |
| 18 | 02142-06167 | SCREW | 4 | |
| 19 | 86211-66000 | GRIP, assistant | 1 | |
| 20 | 09125-06006 | SCREW | 2 | |

SUZUKI PARTS CATALOGUE

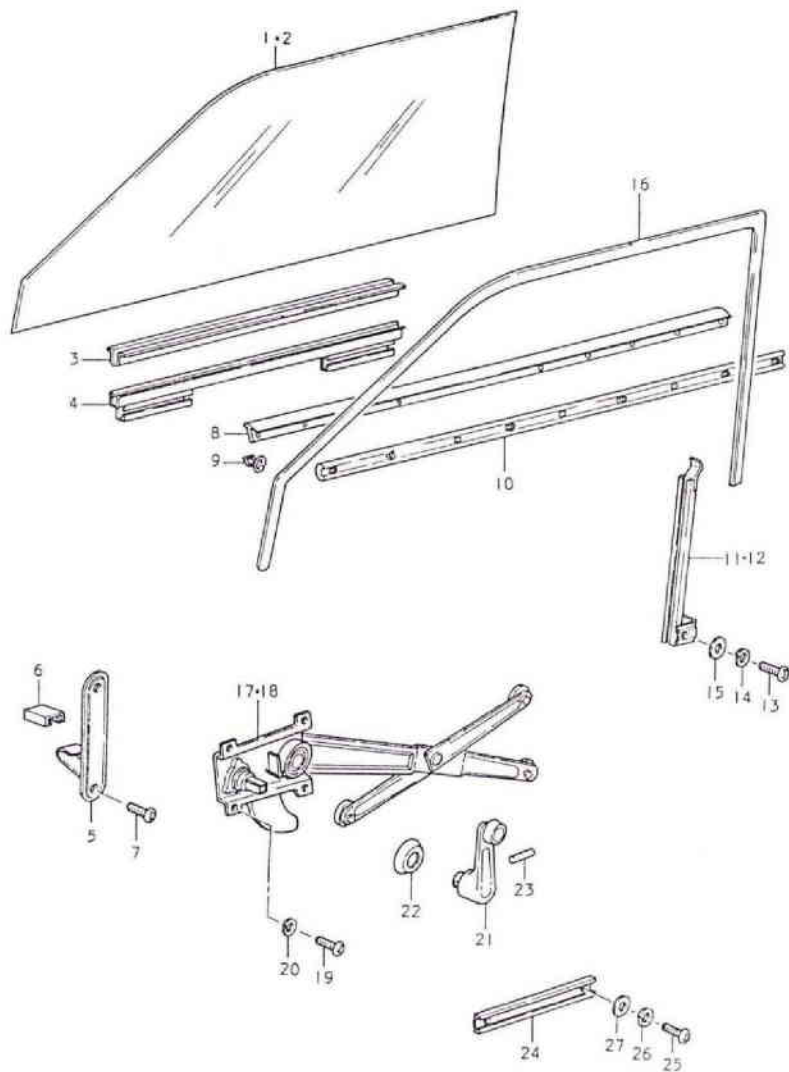


FIG. 70 DOOR SASH

| Ref. No. | Part No. | Description | Q'ty | Remarks |
|----------|-------------|-----------------------------|------|------------|
| 01-1 | 79631-75000 | GLASS, door RH | 1 | CXG - Blue |
| 01-2 | 79631-75010 | GLASS, door RH | 1 | CX - Clear |
| 02-1 | 79636-75000 | GLASS, door LH | 1 | CXG - Blue |
| 02-2 | 79636-75010 | GLASS, door LH | 1 | CX - Clear |
| 03 | 79154-70000 | RUBBER, glass bottom | 2 | L: 470 |
| 04 | 78750-63122 | CHANNEL, glass bottom | 2 | |
| 05 | 75350-66002 | STOPPER, door glass | 2 | |
| 06 | 79611-60000 | STOP, door glass | 2 | |
| 07 | 02142-06108 | SCREW | 4 | |
| 08-1 | 78911-75000 | WETHERSTRIP, outside scrape | 1 | |
| 08-2 | 78921-75000 | WETHERSTRIP, outside scrape | 1 | |
| 09 | 09409-07301 | CLIP, scrape wetherstrip | 20 | |
| 10 | 79450-66011 | SCRAPE, door inside | 2 | |
| 11 | 76550-66000 | SASH, door rear RH | 1 | |
| 12 | 76560-66000 | SASH, door rear LH | 1 | |
| 13 | 02112-06108 | SCREW | 4 | |
| 14 | 08321-21068 | LOCK WASHER | 4 | |
| 15 | 08322-21068 | WASHER | 4 | |
| 16 | 79141-66002 | CHANNEL, door glass | 2 | |
| 17 | 78501-66020 | REGULATOR ASSY, door RH | 1 | |
| 18 | 78502-66020 | REGULATOR ASSY, door LH | 1 | |
| 19 | 02112-06088 | SCREW | 8 | |
| 20 | 08321-21068 | LOCK WASHER | 8 | |
| 21-1 | 78460-75000 | HANDLE, door regulator | 2 | CXG |
| 21-2 | 78460-75100 | HANDLE, door regulator | 2 | CX |
| 22 | 78471-75000 | ESCUTION, regulator handle | 2 | |
| 23 | 09202-03004 | PIN | 2 | |
| 24 | 78991-66020 | HOLDER, regulator | 2 | |
| 25 | 02112-06108 | SCREW | 4 | |
| 26 | 08321-21068 | LOCK WASHER | 4 | |
| 27 | 08322-21068 | WASHER | 4 | |

SUZUKI PARTS CATALOGUE

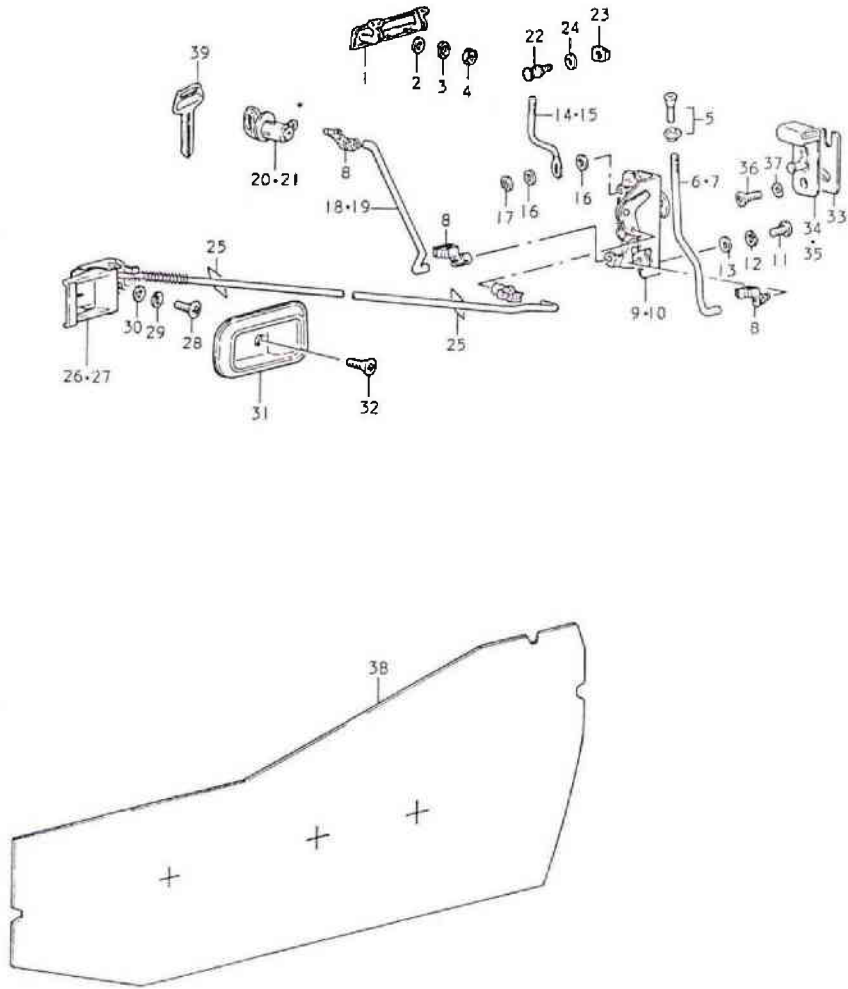


FIG. 71 DOOR LOCK

| Ref. No. | Part No. | Description | Q'ty | Remarks |
|----------|-------------|-----------------------------------|----------|---------|
| 01 | 78310-69060 | HANDLE COMP, door outside | 2 | |
| 02 | 08322-21068 | WASHER | 4 | |
| 03 | 08321-21068 | LOCK WASHER | 4 | |
| 04 | 08310-11068 | NUT | 4 | |
| 05 | 78200-60835 | KNOB SET | 2 | |
| 06 | 77741-66000 | BOD, front safety RH | 1 | |
| 07 | 77746-66000 | ROD, front safety LH | 1 | |
| 08 | 09209-05016 | PIN, door lock rod | 6 | |
| 09 | 77101-70020 | LOCK ASSY, door RH | 1 | |
| 10 | 77102-70020 | LOCK ASSY, door LH | 1 | |
| 11 | 02112-06108 | SCREW | 6 | |
| 12 | 08321-21068 | LOCK WASHER | 6 | |
| 13 | 08322-21068 | WASHER | 6 | |
| 14 | 77711-69000 | ROD, door outside RH | 1 | |
| 15 | 77712-69000 | ROD, door outside LH | 1 | |
| 16 | 09161-06008 | WASHER | 4 | |
| 17 | 08332-11058 | E-RING | 4 | |
| 18 | 77731-69000 | BOD, key cylinder control RH | 1 | |
| 19 | 77736-69000 | BOD, key cylinder control LH | 1 | |
| 20 | 77400-70810 | KEY CYLINDER SET, door lock RH | 1 | |
| 21 | 77400-70830 | KEY CYLINDER SET, door lock LH | 1 | |
| 22 | 78332-70000 | HOLDER, outside handle rod (1) | 2 | |
| 23 | 78331-70001 | HOLDER, outside handle rod (2) | 2 | |
| 24 | 09161-04008 | WASHER | 4 | |
| 25 | 77591-70001 | PAD, door lock remote control | 6 | |
| 26 | 77510-66021 | REMOTE CONTROL ASSY, door lock RH | 1 | |
| 27 | 77550-66021 | REMOTE CONTROL ASSY, door lock LH | 1 | |
| 28 | 02112-06108 | SCREW | 4 | |
| 29 | 08321-21068 | LOCK WASHER | 4 | |
| 30 | 08322-21068 | WASHER | 4 | |
| 31 | 78261-66000 | CASE, door inside handle | 2 | |
| 32 | 02142-05085 | SCREW | 2 | |
| 33 | 77883-60000 | SPACER, door lock , striker | AR (0~4) | |
| 34 | 77810-70020 | STRIKER, door lock RH | 1 | |
| 35 | 77820-70020 | STRIKER, door lock LH | 1 | |
| 36 | 02122-08188 | SCREW | 4 | |
| 37 | 08323-31088 | LOCK WASHER | 4 | |
| 38 | 79111-75000 | FILM, door water proof | 2 | |
| 39 | 37145-70010 | BLANK KEY | 1 | OPT |

SUZUKI PARTS CATALOGUE

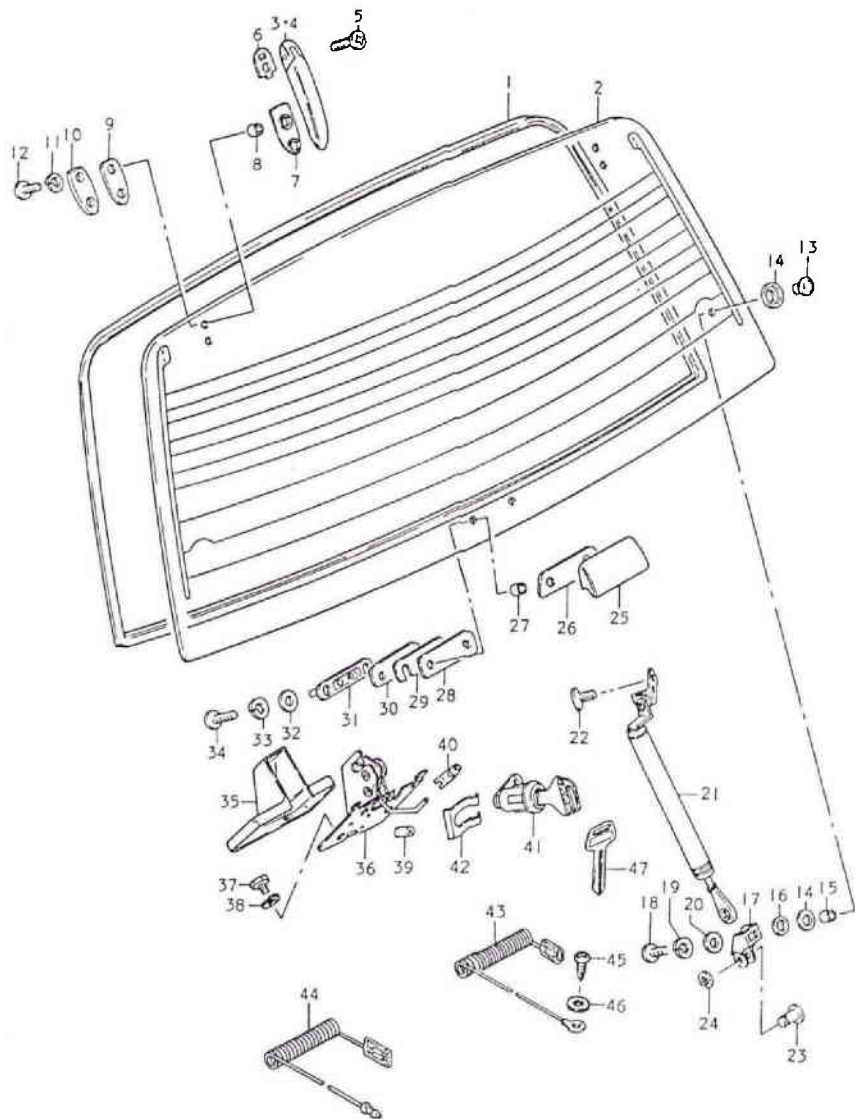


FIG. 72 BACK WINDOW

| Ref. No. | Part No. | Description | Q'ty | Remarks |
|----------|-------------|---------------------------------|------|------------|
| 01 | 79771-75000 | WETHERSTRIP, back window | 1 | |
| 02-1 | 79671-75000 | GLASS, back window | 1 | CXG - Blue |
| 02-2 | 79671-75010 | GLASS, back window | 1 | CX - Clear |
| 03 | 72840-70002 | HINGE, back window RH | 1 | |
| 04 | 72890-70002 | HINGE, back window LH | 1 | |
| 05 | 02122-06168 | SCREW | 2 | |
| 06 | 72844-70000 | PACKING, hinge female | 2 | |
| 07-1 | 72843-70000 | PACKING, hinge B RH | 1 | |
| 07-2 | 72848-70000 | PACKING, hinge B LH | 1 | |
| 08 | 72894-70000 | PROTECTOR, back window glass | 4 | |
| 09 | 72845-70000 | PACKING, hinge A | 2 | |
| 10 | 72846-70000 | PLATE, hinge | 2 | |
| 11 | 08321-21068 | LOCK WASHER | 4 | |
| 12 | 02112-06128 | SCREW | 4 | |
| 13 | 72834-70001 | COVER, stay lower | 1 | |
| 14 | 72835-70000 | PACKING, lower cover | 2 | |
| 15 | 72894-70000 | PROTECTOR, window glass | 1 | 9.5x12x6.5 |
| 16 | 09160-10020 | WASHER | 1 | |
| 17 | 72837-70000 | BRACKET, back window stay lower | 1 | |
| 18 | 02112-06108 | SCREW | 1 | |
| 19 | 08321-21068 | LOCK WASHER | 1 | |
| 20 | 08322-21068 | WASHER | 1 | |
| 21 | 76410-75000 | STAY UNIT, back window | 1 | |
| 22 | 02142-06127 | SCREW | 2 | |
| 23 | 09208-08003 | PIN, stay lower | 1 | |

SUZUKI PARTS CATALOGUE

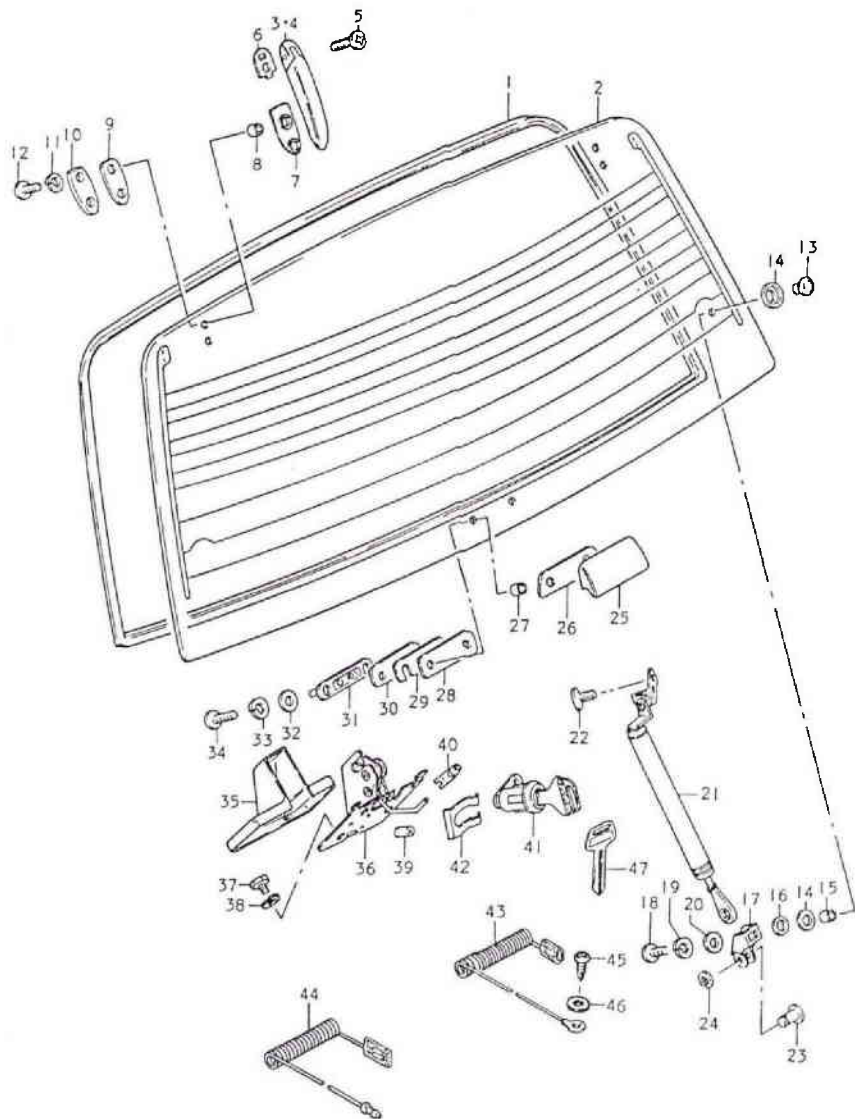


FIG. 72 BACK WINDOW

| Ref. No. | Part No. | Description | Q'ty | Remarks |
|----------|-------------|------------------------------------|----------|---------|
| 24 | 08332-11068 | E-RING | 1 | |
| 25 | 72813-70001 | COVER, striker | 1 | |
| 26 | 72814-70000 | PACKING, striker cover | 1 | |
| 27 | 72894-70000 | PROTECTOR, window glass | 2 | |
| 28 | 72816-70000 | PACKING, straiker | 1 | |
| 29 | 72818-70000 | PLATE, straiker | AR (0~3) | |
| 30 | 72817-70000 | SPACER, straiker | 1 | |
| 31 | 77851-70000 | STRIKER, back window lock | 1 | |
| 32 | 08322-21068 | WASHER | 2 | |
| 33 | 08321-21068 | LOCK WASHER | 2 | |
| 34 | 02112-06168 | SCREW | 2 | |
| 35 | 77261-75000 | COVER, back window lock | 1 | |
| 36 | 77210-75000 | LOCK, back window | 1 | |
| 37 | 01107-06128 | BOLT | 3 | |
| 38 | 08321-21068 | LOCK WASHER | 3 | |
| 39 | 77262-75000 | PAD, back window lock | 1 | |
| 40 | 09209-05016 | PIN | 1 | |
| 41 | 77400-75820 | KEY CYLINDER SET, back window lock | 1 | |
| 42 | 85831-64000 | CLIP | 1 | |
| 43 | 36891-70000 | LEAD WIRE, defogger earth | 1 | CXG |
| 44 | 36890-75000 | LEAD WIRE, defogger | 1 | CXG |
| 45 | 03111-05128 | SCREW | 1 | |
| 46 | 08322-21058 | WASHER | 1 | |
| 47 | 37145-70010 | BLANK KEY | 1 | OPT |

SUZUKI PARTS CATALOGUE

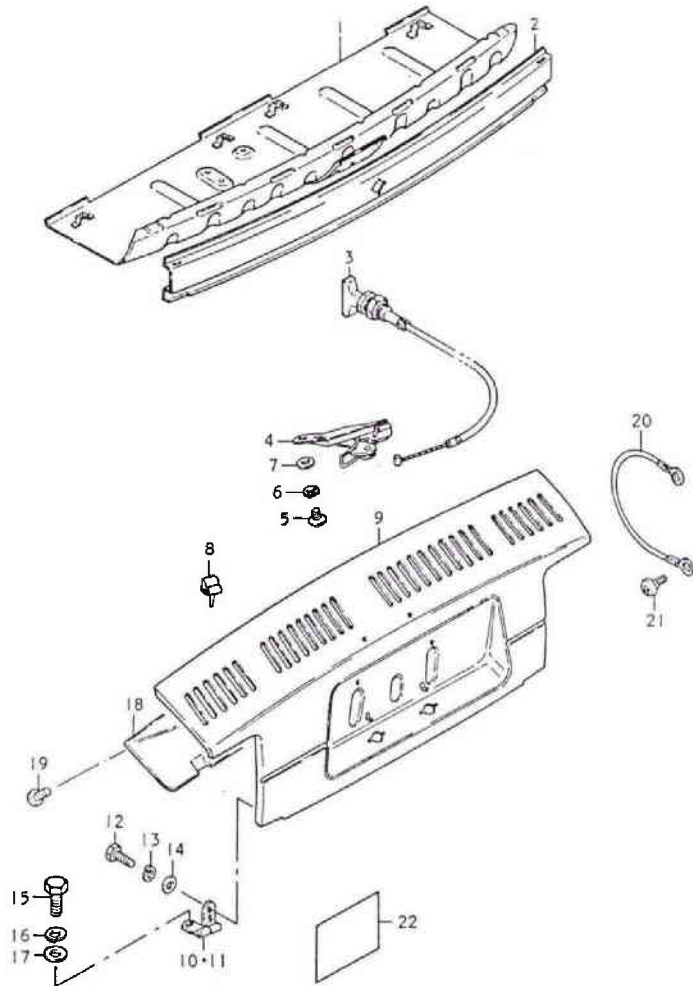


FIG. 73

REAR LID

| Ref. No. | Part No. | Description | Q'ty | Remarks |
|----------|-------------|-----------------------------|------|---------|
| 01 | 72310-75100 | PANEL, rear peacel self | 1 | |
| 02 | 72111-75000 | PANEL, back window lower | 1 | |
| 03 | 72630-64012 | CABLE ASSY, rear lid lock 1 | | |
| 04 | 72610-64000 | LOCK, rear lid | 1 | |
| 05 | 02112-06108 | SCREW | 2 | |
| 06 | 08321-21068 | LOCK WASHER | 2 | |
| 07 | 08322-21068 | WASHER | 2 | |
| 08 | 09321-06006 | CUSHION, rear lid | 2 | |
| 09 | 72400-75100 | PANEL, rear lid | 1 | |
| 10 | 72510-66001 | HINGE, rear RH | 1 | |
| 11 | 72520-66001 | HINGE, rear LH | 1 | |
| 12 | 01107-06168 | BOLT | 4 | |
| 13 | 08321-21068 | LOCK WASHER | 4 | |
| 14 | 08322-21068 | WASHER | 4 | |
| 15 | 01107-08208 | BOLT | 2 | |
| 16 | 08321-21088 | LOCK WASHER | 2 | |
| 17 | 08322-11088 | WASHER | 2 | |
| 18 | 72441-75000 | PANEL, rear lid inner upper | 1 | |
| 19 | 02142-06127 | SCREW | 6 | |
| 20 | 72530-66001 | CABLE, rear lid | 2 | |
| 21 | 09139-05102 | SCREW | 2 | |
| 22 | 86927-70611 | LABEL, lubrication | 1 | |

SUZUKI PARTS CATALOGUE

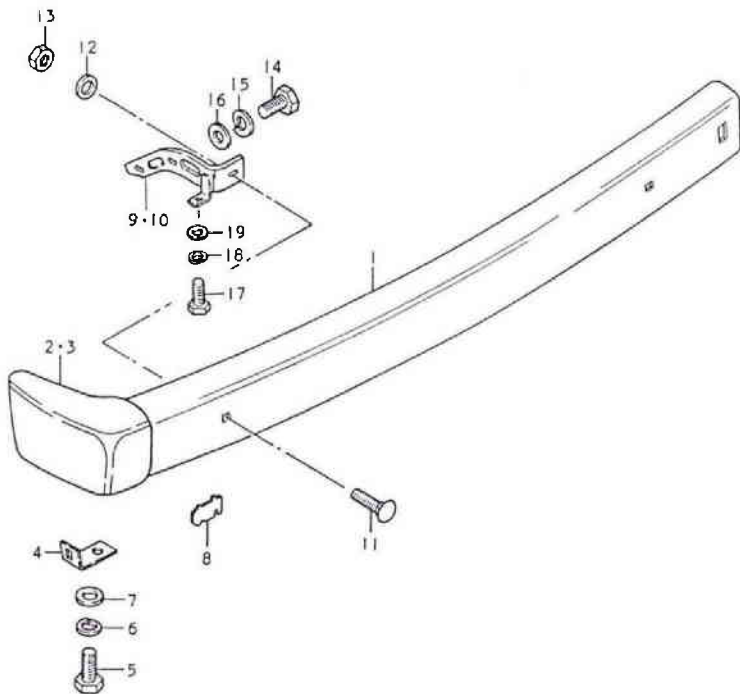


FIG. 74 REAR BUMPER

| Ref. No. | Part No. | Description | Q'ty | Remarks |
|----------|-----------------|------------------------|------|---------|
| 01-1 | 57511-75000 | BUMPER, rear | 1 | |
| 01-2 | 57511-75010-281 | BUMPER, rear | 1 | Black |
| 02 | 57521-75000 | PAD, bumper side RH | 1 | |
| 03 | 57531-75000 | PAD, bumper side LH | 1 | |
| 04 | 57522-75000 | ATTACHMENT, bumper pad | 2 | |
| 05 | 01107-08138 | BOLT | 2 | |
| 06 | 08321-21088 | LOCK WASHER | 2 | |
| 07 | 08322-11088 | WASHER | 2 | |
| 08 | 57422-70400 | CLIP, bumper side pad | 4 | |
| 09 | 57540-75000 | STAY, rear bumper RH | 1 | |
| 10 | 57550-75000 | STAY, rear bumper LH | 1 | |
| 11 | 57435-58000 | BOLT, bumper | 2 | |
| 12 | 08322-21068 | WASHER | 2 | |
| 13 | 08310-11068 | NUT | 2 | |
| 14 | 01107-08168 | BOLT | 4 | |
| 15 | 08321-21088 | LOCK WASHER | 4 | |
| 16 | 08322-11088 | WASHER | 4 | |
| 17 | 01107-06168 | BOLT | 2 | |
| 18 | 08321-21068 | LOCK WASHER | 2 | |
| 19 | 08322-21068 | WASHER | 2 | |

SUZUKI PARTS CATALOGUE

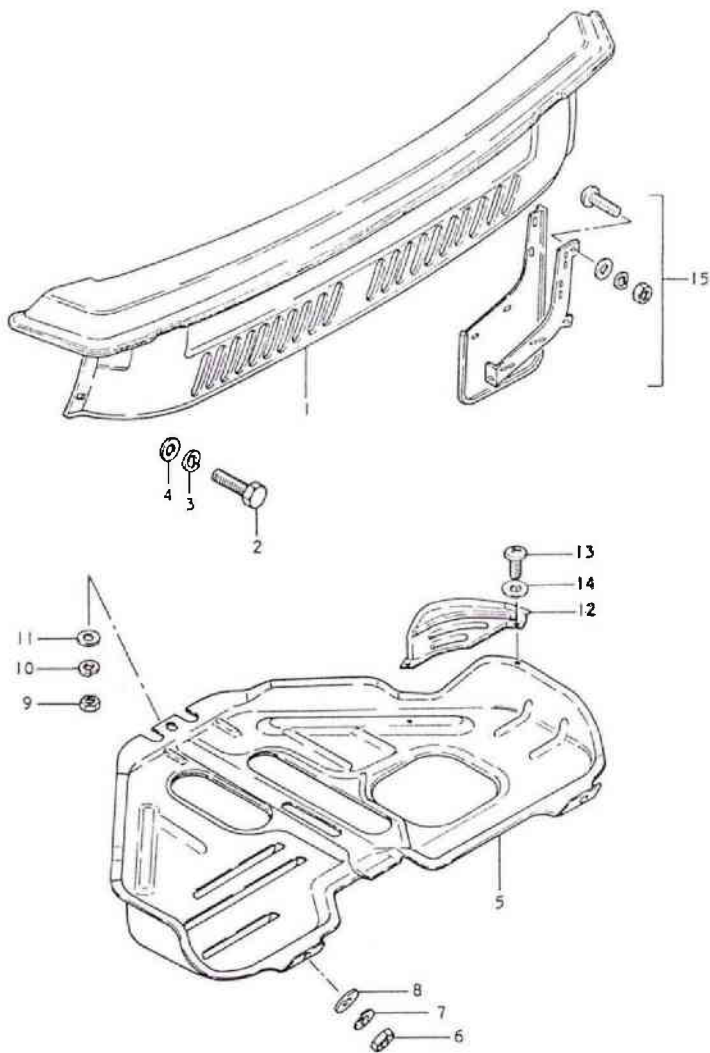


FIG. 75 ENGINE UNDER COVER

| Ref. No. | Part No. | Description | Q'ty | Remarks |
|----------|-------------|-------------------------------|------|---------|
| 01 | 72910-75100 | PANEL, rear | 1 | |
| 02 | 01107-06168 | BOLT | 8 | |
| 03 | 08321-21068 | LOCK WASHER | 8 | |
| 04 | 09160-06019 | WASHER | 8 | |
| 05 | 72740-75100 | COVER, hinge under | 1 | |
| 06 | 08310-12068 | NUT | 2 | |
| 07 | 08321-21068 | LOCK WASHER | 2 | |
| 08 | 08322-21068 | WASHER | 2 | |
| 09 | 08310-11088 | NUT | 1 | |
| 10 | 08321-21088 | LOCK WASHER | 1 | |
| 11 | 08322-11088 | WASHER | 1 | |
| 12 | 72745-74000 | EXTENSION, engine under cover | 1 | |
| 13 | 02112-05128 | SCREW | 2 | |
| 14 | 09160-05017 | WASHER | 2 | |
| 15 | 57600-75840 | MUD FLAP SET, rear | 1 | OPT |

SUZUKI PARTS CATALOGUE

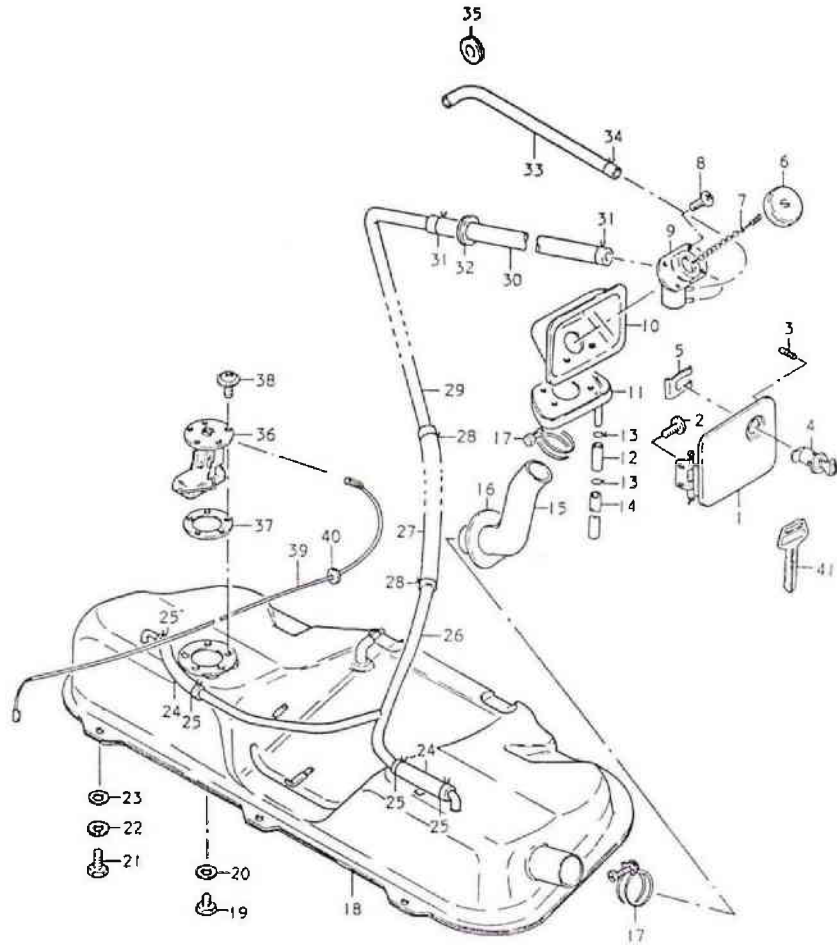


FIG. 76 FUEL TANK

| Ref. No. | Part No. | Description | Q'ty | Remarks |
|----------|-------------|--------------------------------|------|--------------|
| 01 | 68690-64001 | LID, fuel inlet | 1 | |
| 02 | 02142-05107 | SCREW | 2 | |
| 03 | 68184-64000 | STOPPER, fuel lid | 2 | |
| 04 | 85800-64830 | KEY CYLINDER SET, lid lock | 1 | |
| 05 | 85831-64000 | CLIP, key cylinder | 1 | |
| 06 | 85410-70010 | CAP, fuel | 1 | |
| 07 | 85430-64001 | CHAIN, fuel cap | 1 | |
| 08 | 02142-05107 | SCREW | 4 | |
| 09 | 85360-75100 | INLET, fuel tank | 1 | |
| 10 | 68640-64001 | BOX, fuel inlet | 1 | |
| 11 | 68765-64000 | FENCE, fuel inlet box | 1 | |
| 12 | 68766-64000 | PIPE, fuel drain | 1 | |
| 13 | 09401-13301 | CLIP | 2 | |
| 14 | 09344-09019 | HOSE, fuel drain | 1 | L: 845 - 715 |
| 15 | 85372-75000 | JOINT, fuel inlet | 1 | |
| 16 | 85373-75001 | DUST SEAL, inlet joint | 1 | |
| 17 | 09400-50301 | CLAMP | 1 | |
| 18 | 85100-75101 | TANK ASSY, fuel | 1 | |
| 19 | 09247-12101 | DRAIN PLUG | 1 | |
| 20 | 09168-12005 | GASKET, drain plug | 1 | |
| 21 | 01107-08208 | BOLT | 6 | |
| 22 | 08321-21088 | LOCK WASHER | 6 | |
| 23 | 08322-11088 | WASHER | 6 | |
| 24 | 09343-09006 | HOSE, fuel tank breather | 2 | L: 845 - 715 |
| 25 | 09401-14301 | CLIP | 4 | |
| 26 | 85370-75100 | PIPE, fuel tank breather | 1 | |
| 27 | 09343-11008 | HOSE, fuel tank breather | 1 | L: 580 - 360 |
| 28 | 09401-16301 | CLAMP | 2 | |
| 29 | 85381-75102 | PIPE, fuel tank breather | 1 | |
| 30 | 09343-11008 | HOSE, breather inlet | 1 | L: 580 |
| 31 | 09401-16301 | CLAMP | 2 | |
| 32 | 09308-14005 | GROMMET, breather hose | 1 | |
| 33 | 09343-05159 | HOSE, inlet breather | 1 | L: 980 |
| 34 | 09401-08301 | CLIP, valve hose | 1 | |
| 35 | 09308-10005 | GROMMET | 2 | |
| 36 | 34810-70010 | GAUGE ASSY, fuel level | 1 | ND |
| 37 | 34825-67010 | • GASKET, fuel level gauge | 1 | ND |
| 38 | 02112-05088 | SCREW | 5 | |
| 39 | 34823-64000 | LEAD WIRE, fuel level gauge | 1 | |
| 40 | 09308-05011 | GROMMET, level gauge lead wire | 1 | |
| 41 | 37145-70010 | BLANK KEY | 1 | OPT |

SUZUKI PARTS CATALOGUE

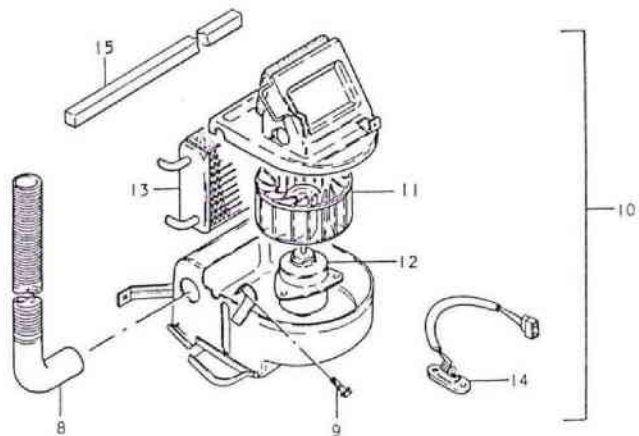
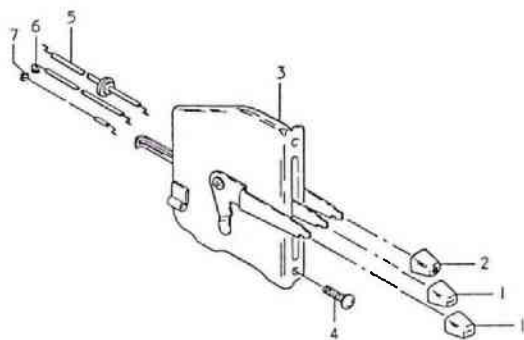


FIG. 77 CAR HEATER

| Ref. No. | Part No. | Description | Q'ty | Remarks |
|----------|-------------|----------------------------|------|------------|
| 01 | 88591-70400 | KNOB, control lever | 2 | |
| 02 | 88592-70400 | KNOB, control lever | 1 | |
| 03-1 | 88500-71500 | LEVER ASSY, heater control | 1 | RHD |
| 03-2 | 88500-71560 | LEVER ASSY, heater control | 1 | LHD |
| 04 | 02142-05128 | SCREW | 2 | |
| 05-1 | 88581-75000 | CABLE, heater control | 1 | RHD L: 780 |
| 05-2 | 88581-75110 | CABLE, heater control | 1 | LHD L: 690 |
| 06 | 88582-75000 | CABLE, hot air control | 1 | L: 403 |
| 07-1 | 88583-71500 | CABLE, fresh air control | 1 | L: 157 |
| 07-2 | 88583-75110 | CABLE, fresh air control | 1 | |
| 08 | 88641-70400 | HOSE, defroster | 2 | |
| 09 | 01517-06128 | BOLT | 4 | |
| 10-1 | 88100-75010 | CAR HEATER ASSY | 1 | RHD ND |
| 10-2 | 88100-75110 | CAR HEATER ASSY | 1 | LHD ND |
| 11 | 88130-70410 | • FAN, blower | 1 | ND |
| 12 | 88120-70410 | • MOTOR | 1 | ND |
| 13 | 88110-70410 | • UNIT, radiator | 1 | ND |
| 14 | 88140-70410 | • RESISTOR | 1 | ND |
| 15 | 63571-70400 | PAD, control box | 1 | L: 365 |



PARTS NUMBER INDEX

PARTS NUMBER INDEX

| Part No. | Page-Ret. No. (Address No.) | Part No. | Page-Ret. No. (Address No.) | Part No. | Page-Ret. No. (Address No.) | Part No. | Page-Ret. No. (Address No.) | | |
|-------------|--------------------------------|-------------|--------------------------------|-------------|--------------------------------|-------------|--------------------------------|--|--|
| 09241-20002 | 01-14 | 09300-20020 | 22-13 | 09343-11008 | 76-30 | 09609-07301 | 70-09 | | |
| 09241-20002 | 02-02 | 09305-17001 | 40-19 | 09343-12004 | 14-01 | 09409-08303 | 64-10 | | |
| 09241-30002 | 02-03 | 09306-08002 | 25-21 | 09344-07007 | 17-07 | 09409-08303 | 69-11 | | |
| 09241-47002 | 22-01 | 09306-08003 | 67-18 | 09344-07012 | 18-06 | 09409-10302 | 68-05 | | |
| 09241-50001 | 22-32 | 09306-10002 | 27-11 | 09344-09019 | 76-14 | 09410-00066 | 65-12 | | |
| 09241-52001 | 22-07 | 09306-13001 | 27-22 | 09344-13001 | 25-19 | 09422-05009 | 22-17 | | |
| 09246-04001 | 09-06 | 09307-22001 | 45-11 | 09381-16001 | 06-06 | 09440-07005 | 23-17 | | |
| 09246-05001 | 02-05 | 09308-05011 | 35-16 | 09381-24001 | 26-11 | 09440-08010 | 27-39 | | |
| 09246-06001 | 02-04 | 09308-05011 | 56-08 | 09385-08002 | 27-27 | 09440-13003 | 45-21 | | |
| 09246-06001 | 15-11 | 09308-05011 | 76-40 | 09388-00007 | 22-16 | 09440-18002 | 44-12 | | |
| 09246-06001 | 15-18 | 09308-06004 | 50-13 | 09390-47006 | 22-02 | 09440-19001 | 45-08 | | |
| 09246-16002 | 24-08 | 09308-10004 | 08-05 | 09390-50002 | 22-31 | 09440-27004 | 56-22 | | |
| 09247-12101 | 03-08 | 09308-10005 | 17-08 | 09390-52003 | 22-10 | 09440-50001 | 22-21 | | |
| 09247-12101 | 76-19 | 09308-10005 | 76-35 | 09390-72005 | 26-03 | 09441-41003 | 25-10 | | |
| 09250-10004 | 67-25 | 09308-11004 | 14-16 | 09400-14301 | 17-16 | 09443-08013 | 27-18 | | |
| 09250-10006 | 02-16 | 09308-11004 | 17-12 | 09400-30401 | 17-13 | 09443-12006 | 27-30-2 | | |
| 09250-10006 | 23-21 | 09308-14005 | 76-32 | 09400-30401 | 19-20 | 09443-13002 | 27-30-1 | | |
| 09250-15001 | 41-46 | 09308-14006 | 35-08 | 09400-34401 | 19-15 | 09443-13006 | 25-18 | | |
| 09250-25001 | 60-31 | 09308-18002 | 20-05 | 09400-34401 | 19-23 | 09648-12005 | 21-11 | | |
| 09250-26003 | 08-22 | 09308-25001 | 27-37 | 09400-50301 | 76-17 | 09448-18008 | 21-18 | | |
| 09250-30002 | 65-16 | 09308-30001 | 32-16 | 09401-08301 | 76-34 | 09460-01019 | 40-08 | | |
| 09250-30003 | 24-19 | 09308-30001 | 33-11 | 09401-09401 | 17-10 | 09460-01019 | 40-16 | | |
| 09250-40002 | 65-15 | 09319-10004 | 40-09 | 09401-09401 | 20-11 | 09460-01019 | 40-28 | | |
| 09251-07002 | 69-12 | 09319-10004 | 40-56 | 09401-11402 | 14-14 | 09460-01019 | 65-25 | | |
| 09261-03002 | 23-20 | 09319-10020 | 41-28 | 09401-11404 | 17-17 | 09460-01019 | 45-30 | | |
| 09262-20048 | 42-03 | 09319-24002 | 22-19 | 09401-11404 | 19-13 | 09671-12001 | 37-12 | | |
| 09262-25041 | 41-35 | 09319-24003 | 22-22 | 09401-12301 | 14-03 | 09471-12003 | 36-12 | | |
| 09263-25021 | 22-27 | 09320-06014 | 67-04 | 09401-13301 | 76-13 | 09471-12007 | 35-14 | | |
| 09263-30010 | 22-30 | 09320-08014 | 52-14 | 09401-14301 | 76-25 | 09471-12007 | 37-04 | | |
| 09269-35003 | 21-09 | 09321-05009 | 56-07 | 09401-15401 | 45-26 | 09471-12028 | 32-09 | | |
| 09280-11002 | 23-27 | 09321-05010 | 30-15 | 09401-16301 | 76-28 | Q9471-12028 | 33-06 | | |
| 09280-16004 | 09-08 | 09321-06006 | 73-08 | 09401-16301 | 76-31 | 09471-12039 | 34-08 | | |
| 09280-16005 | 03-02 | 09329-03001 | 60-23 | 09401-18301 | 01-02 | 09471-12056 | 35-06 | | |
| 09280-16005 | 15-23 | 09343-03026 | 09-17 | 09401-18401 | 20-09 | 09471-12056 | 36-05 | | |
| 09280-43002 | 24-09 | 09343-05044 | 14-13 | 09402-50306 | 11-15 | 09471-12056 | 36-07 | | |
| 09280-96001 | 23-07 | 09343-05044 | 14-17 | 09402-58306 | 11-13 | 09471-12057 | 36-06 | | |
| 09283-14001 | 23-02 | 09343-05145 | 17-09 | 09403-00059 | 14-15 | 09471-12058 | 35-05 | | |
| 09283-20024 | 22-06 | 09343-05145 | 20-12 | 09403-09309 | 57-09 | 09481-10001 | 37-22 | | |
| 09283-32016 | 06-17 | 09343-05159 | 76-33 | 09404-06402 | 36-10 | 09481-15001 | 37-23 | | |
| 09283-32016 | 07-01 | 09343-07011 | 19-12 | 09404-06403 | 27-42 | 09481-30001 | 37-32 | | |
| 09283-35005 | 41-33 | 09343-07024 | 17-20 | 09408-00008 | 17-11 | 09482-00123 | 01-20-2 | | |
| 09283-35013 | 26-01 | 09343-07050 | 14-02 | 09408-00012 | 27-46 | 09482-00131 | 01-20-1 | | |
| 09283-60003 | 06-23 | 09343-07050 | 17-07 | 09408-00013 | 09-18 | 09800-00184 | 57-11 | | |
| 09289-07002 | 07-18 | 09343-09006 | 76-24 | 09608-00018 | 14-18 | 09824-00005 | 57-08 | | |
| 09300-12011 | 21-13 | 09343-11008 | 76-27 | 09409-06301 | 65-05 | 09824-00006 | 57-05 | | |



SUZUKI MOTOR CO., LTD.

Head Office : Hamamatsu - Mishi, P.O. Box 1,
432-91 Hamamatsu, Japan

SUZUKI SC100 PARTS CATALOGUE

1st Edition

Printed in Apr., 1978

Published in May, 1978

Editor : SUZUKI MOTOR Co., LTD.

Export parts section

Reprint Prohibited