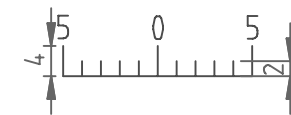
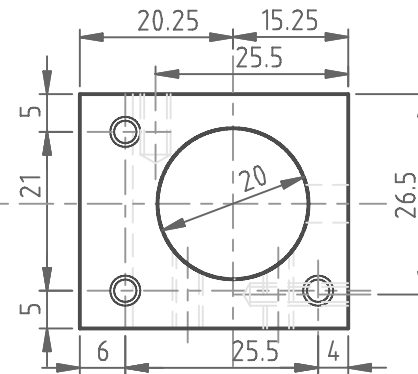
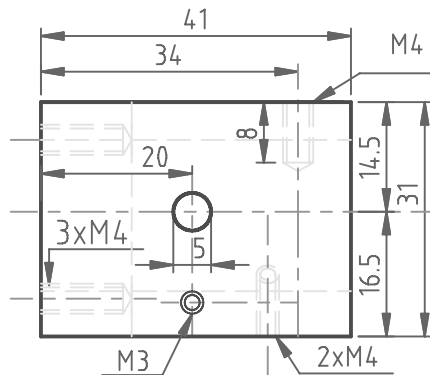
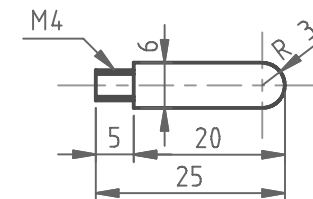
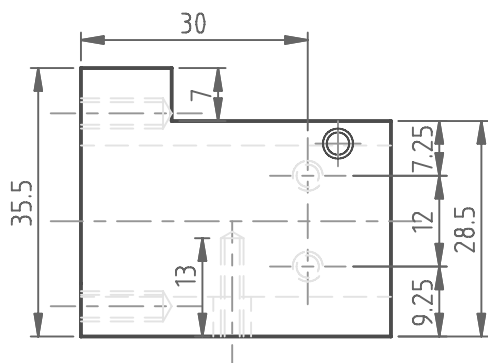


Excentrische as lager  
Eccentric metal



Vaste nonius  
fixed vernier  
II = 1/75 toer/rev.



Projectie/Projection		Project Draaitafel	Index table
Getek./Drawn	G. Emonds	Deel	Excentrische as
Datum/Date	31/07/08	Part	Eccentric shaft
		Blad/Sheet	17/22
		Schaal/Scale	1:1