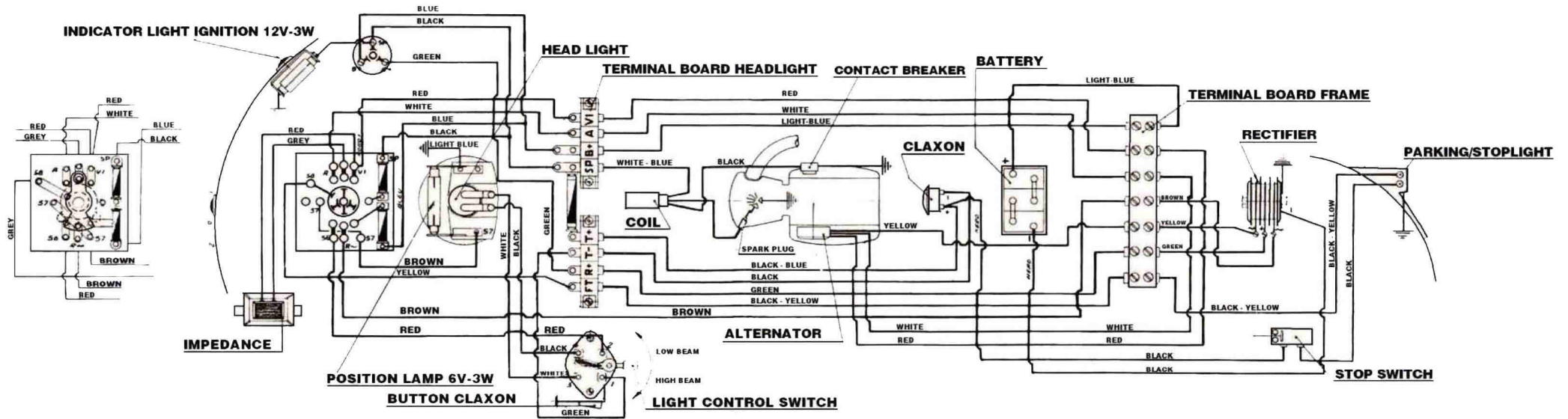


# ELECTRICAL SCHEME CEV FOR 125 S - 175 S



## Note:

The - (minus) of the rectifier is connected to the fixing screw, and the + (plus) to the insulated terminal, colored red. The other two terminals are common for the alternate (~)